

TAURUS

VENT-FREE GAS FIREBOXES



Traditional
Fireplace
Design Collection

TRULY

TIMELESS

astria
FIREPLACES™



FEATURED TaurusPF shown with White Stacked Refractory Panels and multi-sided vent-free gas log set

TAURUS

When the architecture demands something really creative, the Taurus multi-view vent-free gas fireboxes provide the perfect solution. Offered in a two-sided see through or peninsula with companion multi-sided log set, these fireboxes deliver whatever the job requires.



Options

Interior Panel

Includes White Refractory Panels



White Stacked



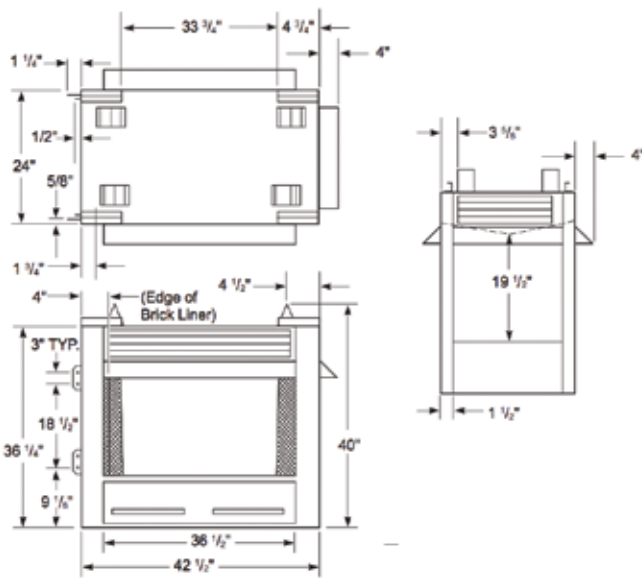
Northern Red Oak Multi-Sided Log Set

EXCLUSIVE FEATURES

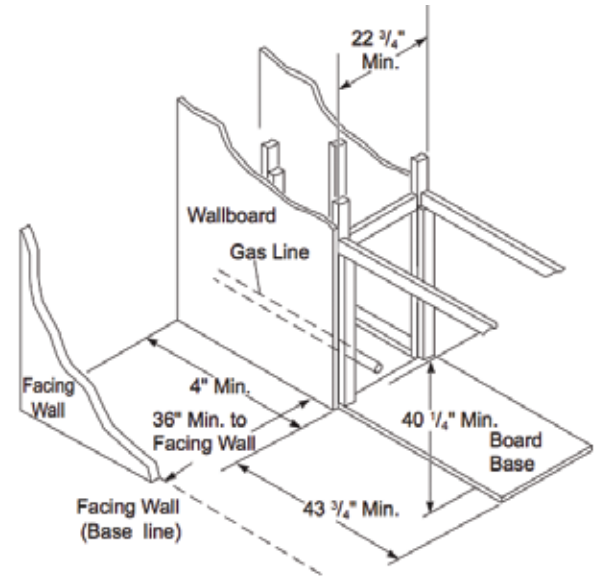
- ◆ See through radiant smooth-faced or circulating louvered models
- ◆ Peninsula circulating louvered model
- ◆ Tall 20" opening
- ◆ White stacked refractory panels (side(s) and back)
- ◆ Standard heat deflection hood (required)
- ◆ Includes mesh fire screens
- ◆ Optional outside air kit
- ◆ Optional blower (for use with louvered models)
- ◆ Durable textured powder coat finish
- ◆ Lifetime Limited Warranty

APPLIANCE SPECIFICATIONS

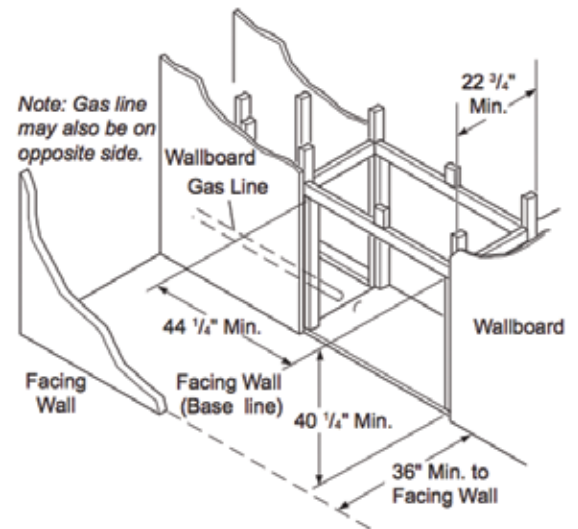
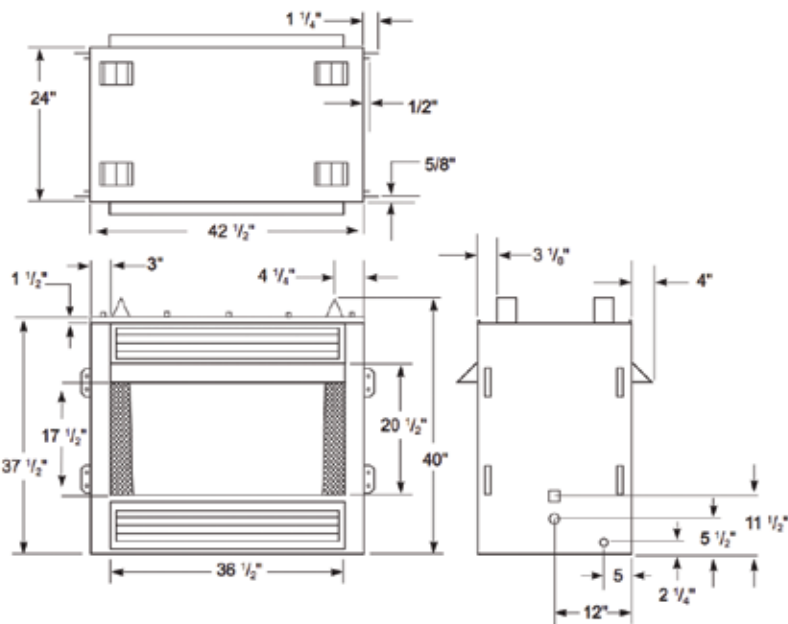
PENINSULA



FLAT WALL FRAMING SPECIFICATIONS



SEE THROUGH



IMPORTANT NOTES:

As with any fireplace, this appliance is extremely hot during operation. Read and understand all operating instructions before using this appliance. For further information, consult your dealer.

Local conditions, such as elevation, wind, vent configuration and choice of fuel will affect overall appearance of the fire and heating performance. Performance can also vary with home design and insulation, climate, condition and type of fuel used, appliance location, burn rate, accessories chosen, chimney installation and how the appliance is operated.

Diagrams, illustrations and photographs are not to scale—consult installation instructions. Product designs, materials, dimensions, specifications, colors and prices are subject to change or discontinuance without notice.

FRAMING SPECIFICATIONS

	PENINSULA	SEE THROUGH
WIDTH	43-3/4"	44-1/4"
HEIGHT	40-1/4"	40-1/4"
DEPTH	22-3/4"	22-3/4"

astria
FIREPLACES™

© 2014 Innovative Hearth Products

785453M 07/14

Visit us online



Astria.us.com

