

Brentwood™ SP

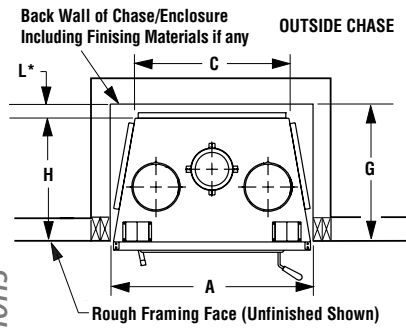
EPA Wood Burning Fireplaces Specifications

PRODUCT REFERENCE INFORMATION	
Model: Brentwood SP, Cat. No. H4825	
Weight	385 lbs
Height	36"
Width	36"
Depth	24-1/2"
Firebox W x H x D measured in front	22" x 11-3/4" x 12"
Chimney weight ASHT* (6" dia)	6.25 lb/ft.
Chimney weight AC* (6" dia)	3.25 lb/ft.
Chimney weight S2100+*(6" dia)	10.8 lb/ft.

*Available from Security Chimneys™

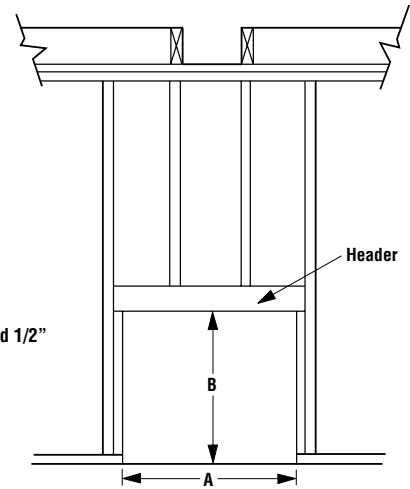
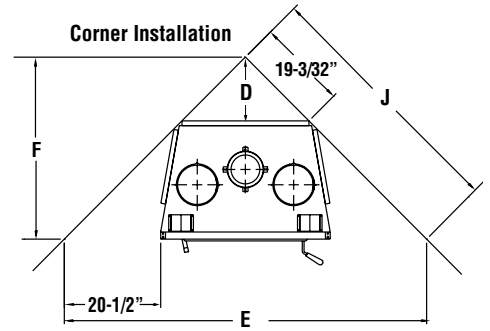
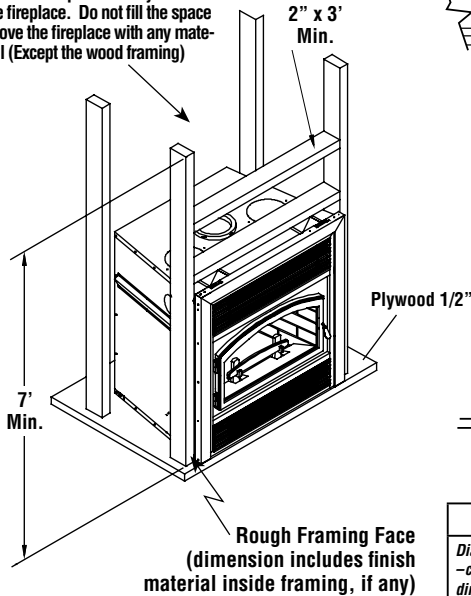
FRAMING DIMENSIONS Fireplace Opening Width		
A	36-3/8"	924 mm
B	37"	940 mm
C	30-1/8"	765 mm
D	13-1/2"	343 mm
E	77"	1956 mm
F	38-1/2"	978 mm
G	*24-1/2"	603 mm
J	54-7/16"	1383 mm

* Total depth is 25 inches including the backspacer minus 1/2 inch for drywall to be flush with the facing.



Framing Dimensions

Combustible materials can NOT be used in the space directly above the fireplace. Do not fill the space above the fireplace with any material (Except the wood framing)



Notes
Diagrams, illustrations and photographs are not to scale – consult installation instructions. Product designs, materials, dimensions, specifications, colors and prices are subject to change or discontinuance without notice.
All framing dimensions calculated for 1/2" dry wall at the fireplace face. If sheathing the chase or finishing with other thickness materials, calculations will need to be made.
* The fireplace must not be in contact with any insulation or loose filling material. Cover the insulation with drywall panels around the fireplace.

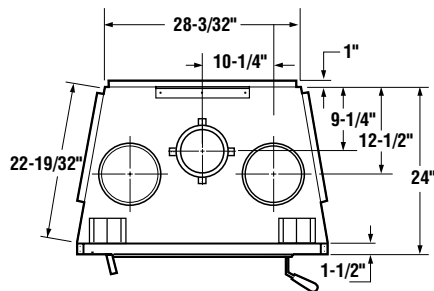
Listing Information



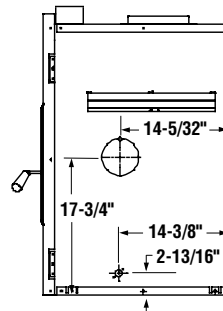
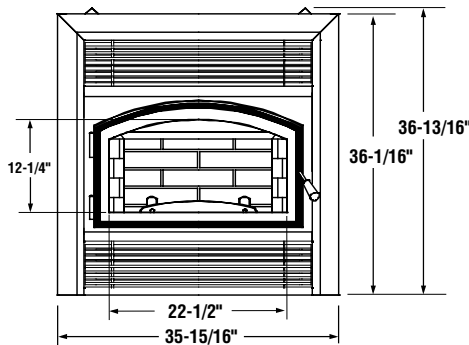
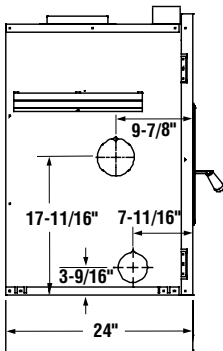
Report No. 14-180

Listed to ULC-S610 & UL-127

EPA certification test emission value 3.7 g/hr per 2015 standard



Fireplace Dimensions



PARTS REQUIRED

- 6" diameter chimney * - Model ASHT, S-2100+, HT6000+, HT6103+ or AC manufactured by Security Chimneys International only, including:
 - Chimney lengths
 - Elbows (where necessary)
 - Associated components per installation and operation manual.
- Decorative Door - Required (Order Separately)
 - Available in black, gold or brushed nickel
- Outside air kit (Included)

OPTIONAL EQUIPMENT

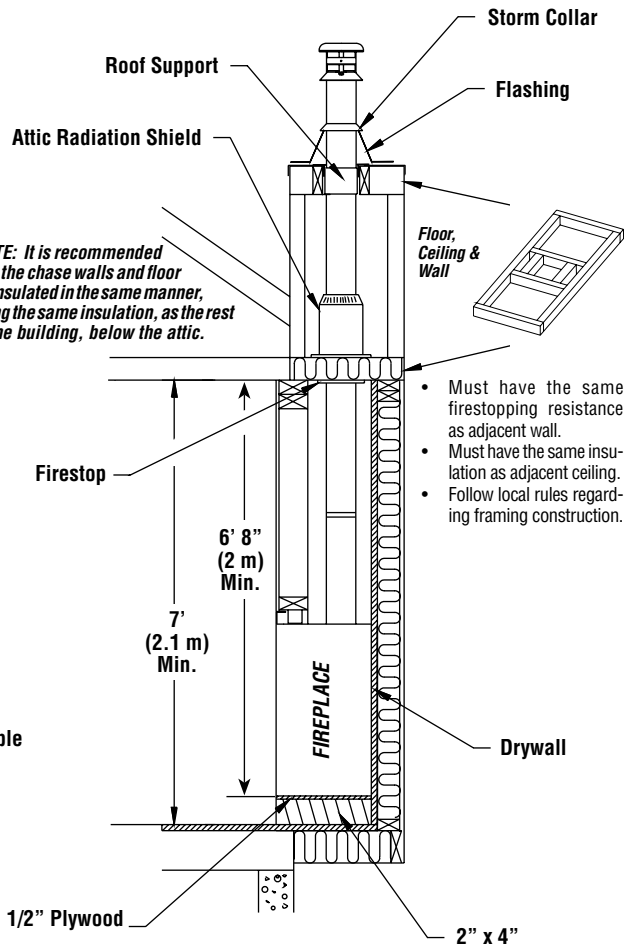
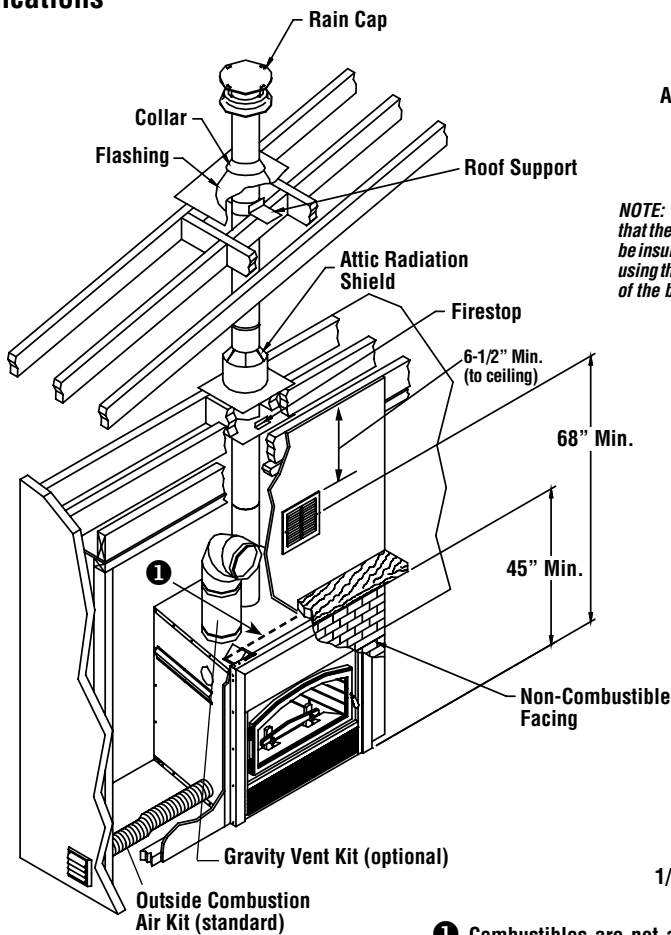
- Additional Equipment
 - AC Chimney Adaptor * (required if using AC Chimney)
 - AC chimney outside air kit
 - Gravity venting system
 - Panel for clean face option (only with gravity venting system)
 - UZY5 Fireplace Blower Kit
 - VRUW Blower Speed Control

*Available from Security Chimneys™

Brentwood™ SP

EPA Wood Burning Fireplaces Specifications

Typical Installations



NOTE: It is recommended that the chase walls and floor be insulated in the same manner, using the same insulation, as the rest of the building, below the attic.

- Must have the same firestopping resistance as adjacent wall.
- Must have the same insulation as adjacent ceiling.
- Follow local rules regarding framing construction.

1 Combustibles are not allowed below top spacers above the fireplace. Facing in front of fireplace must be non-combustible below this area.

CLEARANCE TO COMBUSTIBLES

The following clearances meet the minimum requirements for a safe installation:

Side wall: 17" (324 mm) measured from the fireplace side.

Ceiling: 6' 8" (2032 mm) measured from the base of the fireplace.

Fireplace enclosure:

- Bottom:** 0"
- Side:** 0" to spacer
- Back:** 0" to spacer

Top: Do not fill the space above the fireplace with any material (Except the wood framing)

Chimney: 2" (50 mm)

Mantel: 45" (1143 mm) measured from the base of the fireplace.

Combustible Clearances

