

Ladera™

EPA Wood Burning Fireplaces Specifications

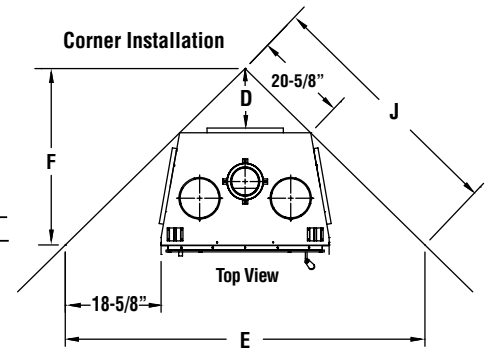
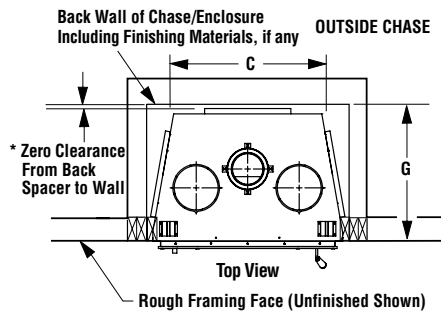
Cat.#	Model	Description
H7162	Ladera-BK	Ladera Fireplace Black Door

PRODUCT REFERENCE INFORMATION	
Weight	215 lbs
Height	37-5/8"
Width	32-3/4"
Depth	22-1/2"
Firebox W x H x D measured in front	19-1/2" x 13-1/4" x 12"
Chimney Weight ASHT* Ø 6"	6.25 lb/ft.
Chimney Weight AC* Ø 6"	3.25 lb/ft.
Chimney Weight S-2100+* Ø 6"	10.8 lb/ft.

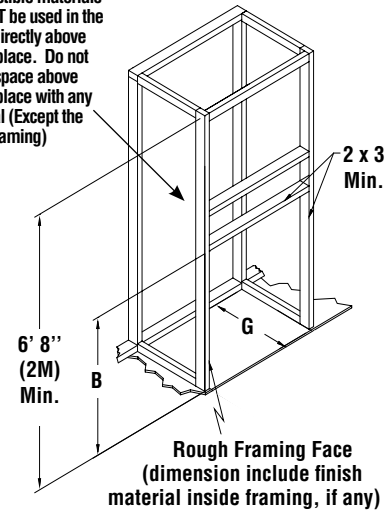
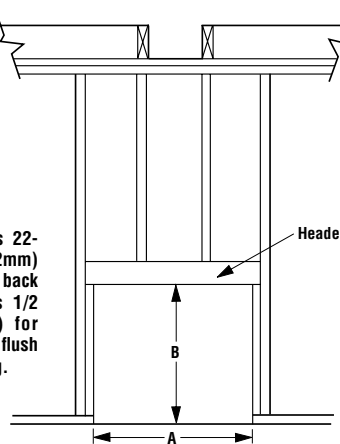
*Available from Security Chimneys™

FRAMING DIMENSIONS		
A	36"	914 mm
B	38"	965 mm
C	29-1/8"	740 mm
D	12-1/2"	318 mm
E	70"	1778 mm
F	35"	889 mm
G	*22"	559 mm
J	49-1/2"	1257 mm
K	8"	203 mm

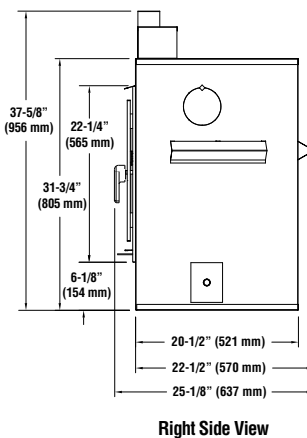
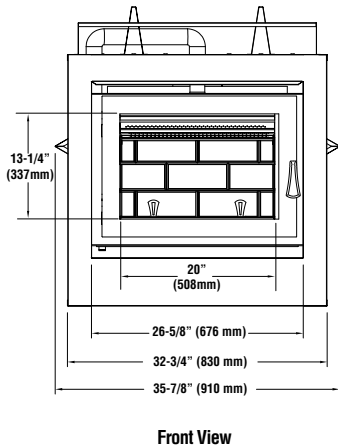
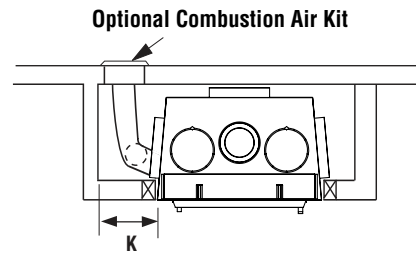
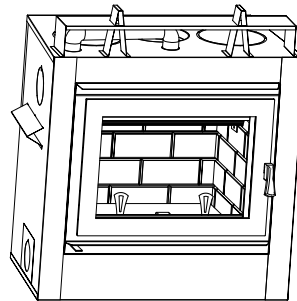
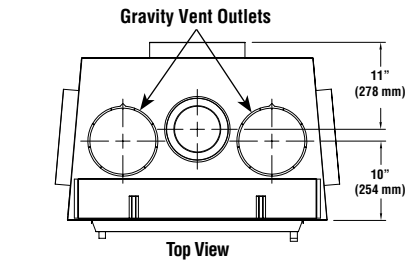
Framing Dimensions



* Total depth is 22-1/2 inches (572mm) including the back spacer minus 1/2 inch (13mm) for drywall to be flush with the facing.



Fireplace Dimensions

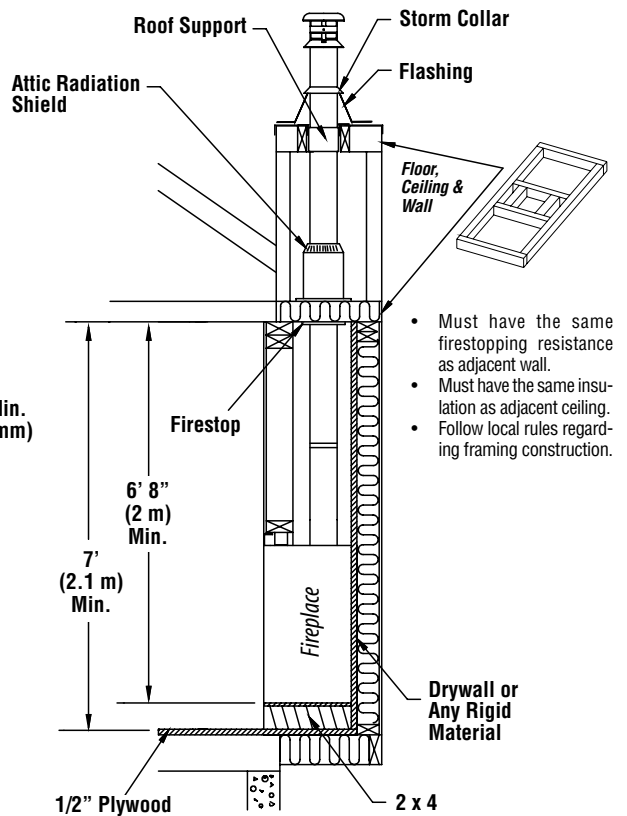
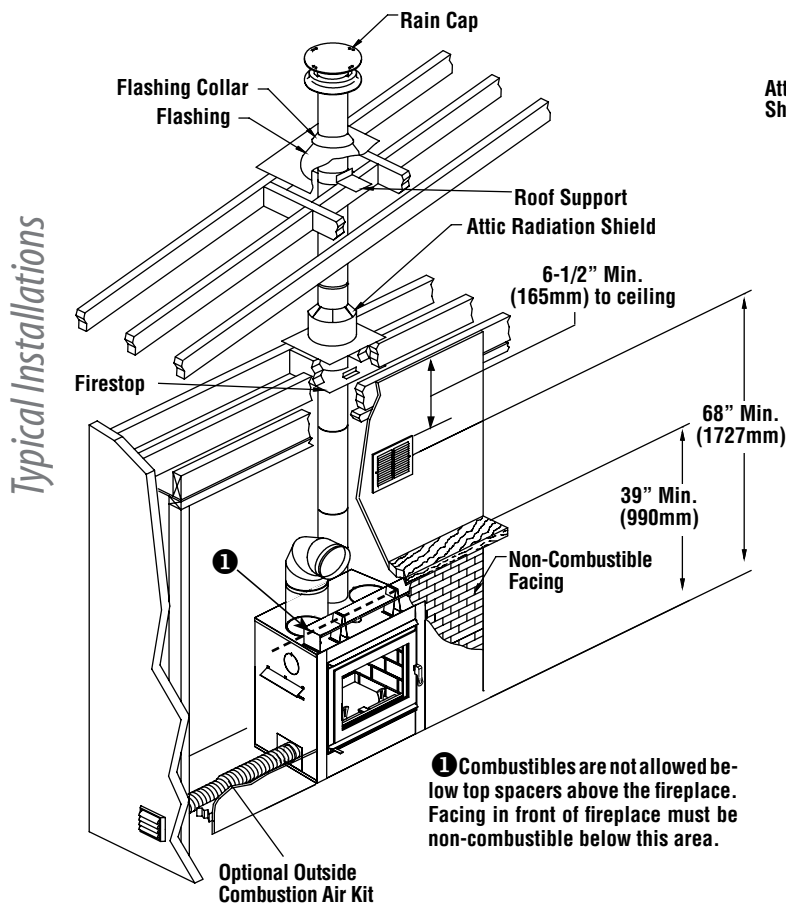


Notes
Diagrams, illustrations and photographs are not to scale - consult installation instructions. Product designs, materials, dimensions, specifications, colors and prices are subject to change or discontinuance without notice.
All framing dimensions calculated for 1/2" dry wall at the fireplace face. If sheathing the chase or finishing with other thickness materials, calculations will need to be made.
The fireplace must not be in contact with any insulation or loose filling material. Cover the insulation with drywall panels around the fireplace.

Listing Information

PFS Listed to ULC-S610 & UL-127
C US EPA Cert. No. 706
 Report No. 14-181

EPA Wood Burning Fireplaces Specifications



CLEARANCE TO COMBUSTIBLES

The following clearances meet the minimum requirements for a safe installation:

Side wall: 17" (324 mm) measured from the fireplace side

Ceiling: 6' 8" (2,032 mm) measured from the base of the fireplace

Fireplace enclosure:

Bottom: 0"

Side: 0" to spacer

Back: 0" to spacer

Top: Do not fill the space above the fireplace with any material (Except the wood framing - See the Installation and Operation Manual)

Chimney: 2" (50mm). Chimney type*: 6 in. diameter, certified model ASHT+, S-2100+, HT6000+, HT6103+, AC or 7 in. ASHT, HT6103.

Mantel: 39" (990mm) measured from the base of the fireplace.

*Available from Security Chimneys™

Combustible Clearances

Hearth Extension and Mantel

