

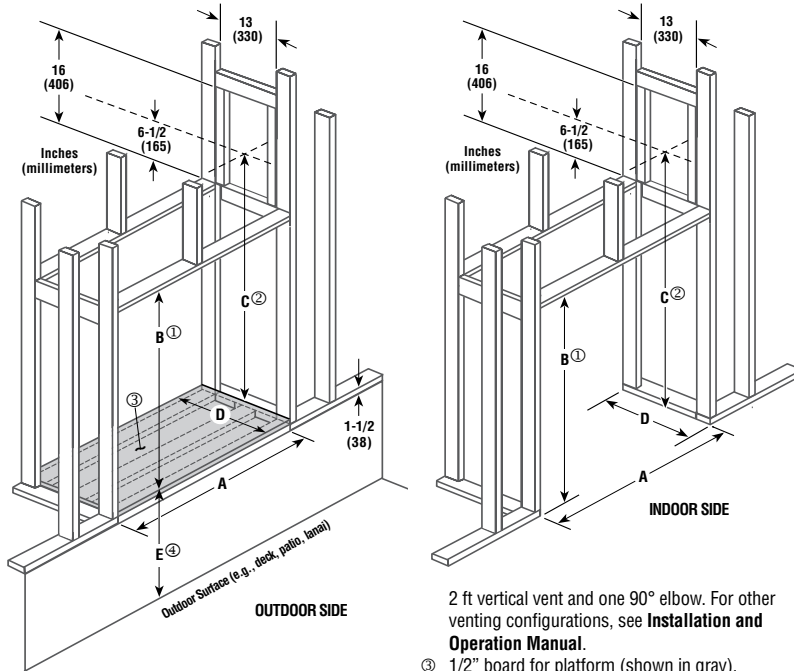
# MONTEBELLO™ ST

## SEE-THROUGH DIRECT-VENT FIREPLACE

	A	B ①	C ②	D	E ④
in	52-1/8	47-3/8	75-1/2	26-3/8	6
(mm)	(1324)	(1203)	(1918)	(668)	(152)

Framing Should be constructions of 2 x 4 or larger lumber.

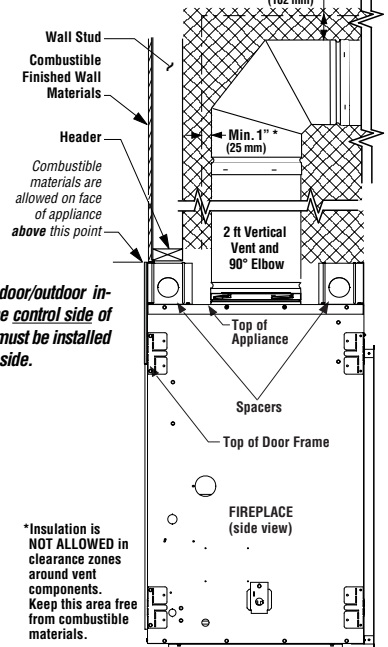
Framing Dimensions



- ① Dimension B is from fireplace base to top framing member.
- ② Dimension C is from fireplace base to centerline of horizontal vent pipe. Minimum vent framing:

- ③ 2 ft vertical vent and one 90° elbow. For other venting configurations, see **Installation and Operation Manual**.
- ④ 1/2" board for platform (shown in gray).
- ⑤ Dimension E is a 6" clearance from fireplace base to outdoor surface (e.g., deck, patio, lanai) that is required as a moisture barrier (not a combustible clearance) on outdoor side only.

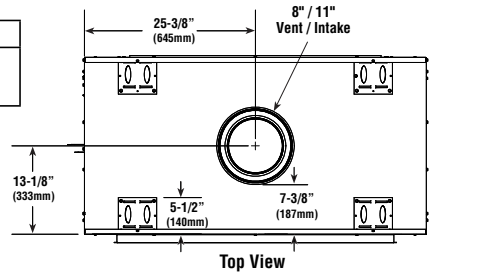
### INTERIOR



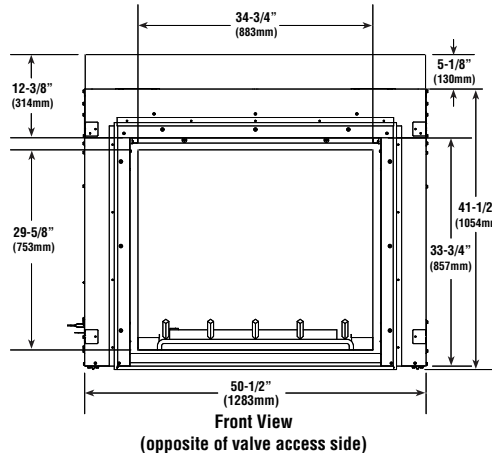
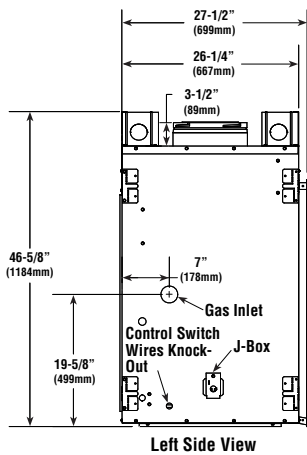
Wall Finishing

\*Insulation is NOT ALLOWED in clearance zones around vent components. Keep this area free from combustible materials.

Vent Size	
Co-axial DV Collar on Fireplace -	8" Inner / 11" Outer

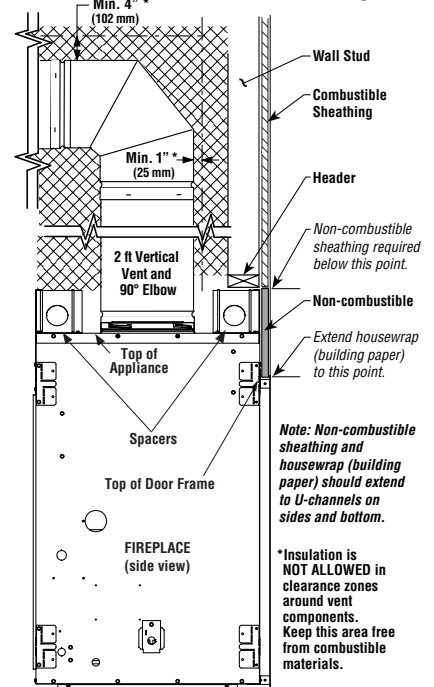


Fireplace Dimensions



**Unit Dimensions**  
(Shown with Outdoor Kit Installed)

### EXTERIOR



\*Insulation is NOT ALLOWED in clearance zones around vent components. Keep this area free from combustible materials.

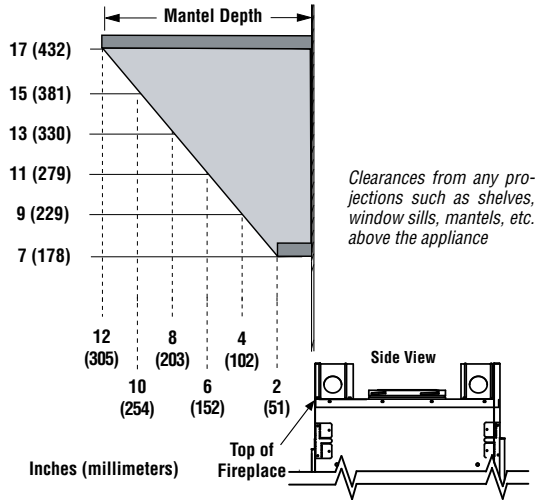
NOTE: DIAGRAMS & ILLUSTRATIONS ARE NOT TO SCALE.

# MONTEBELLO™ ST

Product Information

Product Reference Information			
Cat. #	Model	Ship. Wt.	Ship. Volume
F2228	Montebello STTEN	383 lb.	52.2 cu. ft.
F2229	Montebello STTEP	383 lb.	52.2 cu. ft.

Mantel Clearances



Listing Information

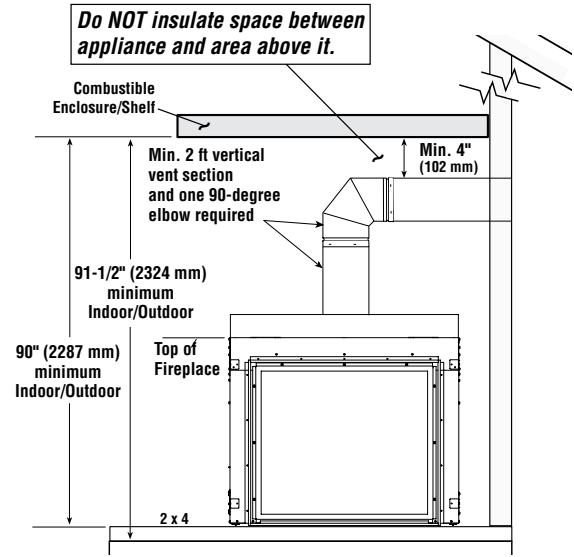
Listed by PFS Corporation to ANSI Z21.88 (in Canada, CSA-2.33), and CAN/CGA-2.17-M91 (CSA P4.1) in both USA and Canada, as a vented gas fireplace.



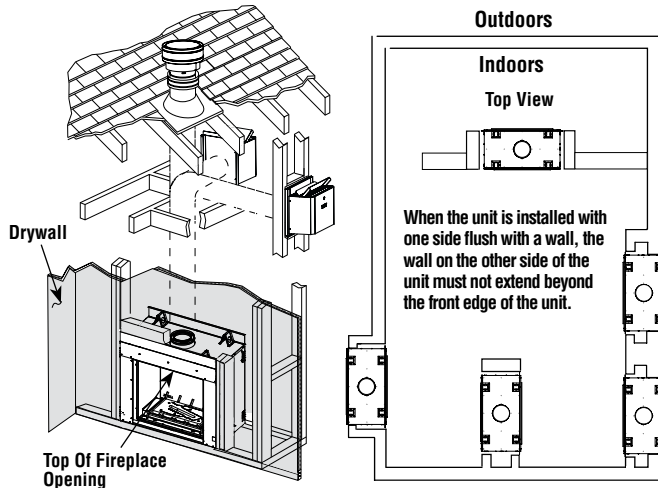
Report No. 14-107

Inputs (BTU/hr)		
Model	Fuel	Inputs (BTU/hr)
Montebello STTEN	NG	40,000 to 60,000
Montebello STTEP	LP	43,500 to 56,000

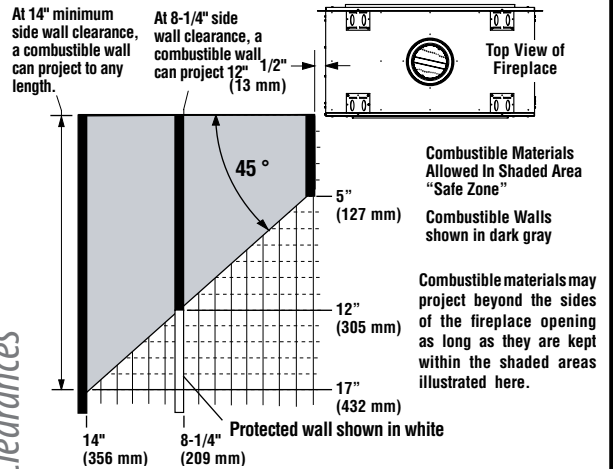
Shelf Height



Typical Installations

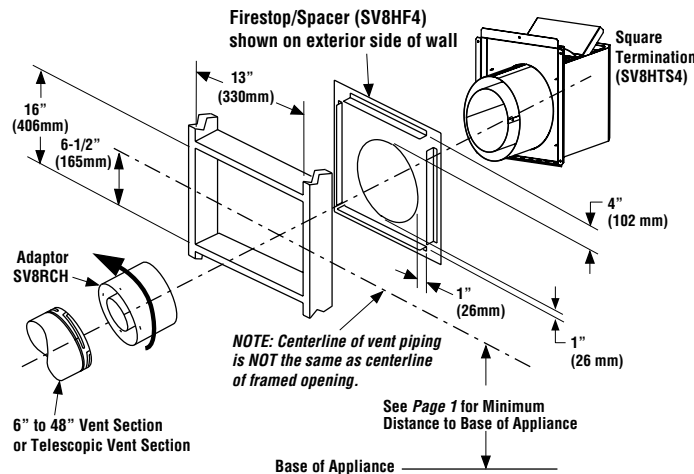


Minimum Clearances



Minimum Clearances - Inches (millimeters)	
Back / Sides	0 (0) Spacers
Floor	0 (0)
Bottom of Appliance To Ceiling	72 (1829)
Vent	4 (102) Top, 1 (25) Sides & Bottom
Service Clearances	
Front	36" (914 mm)

Horizontal Termination



NOTE: Diagrams, illustrations and photographs are not to scale - consult installation instructions. Product designs, materials, dimensions, specifications, colors and prices are subject to change or discontinuance without notice.