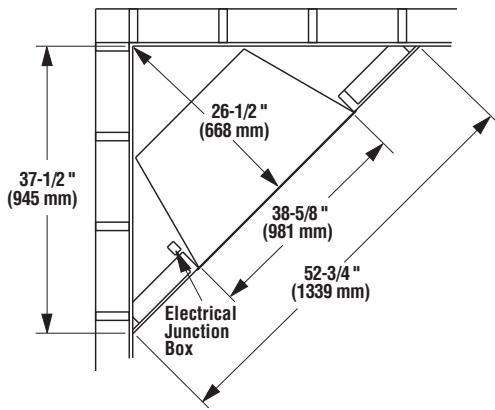


Capella™ 36

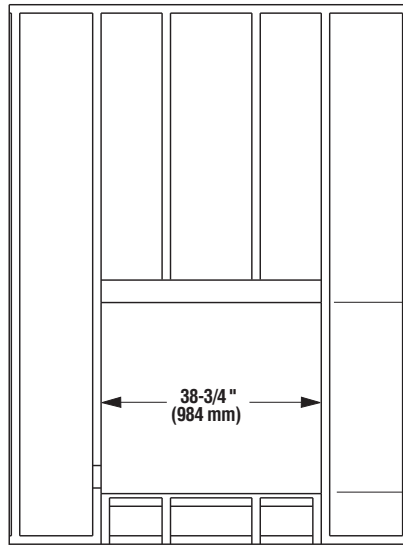
ELECTRIC FIREPLACE

Framing Dimensions

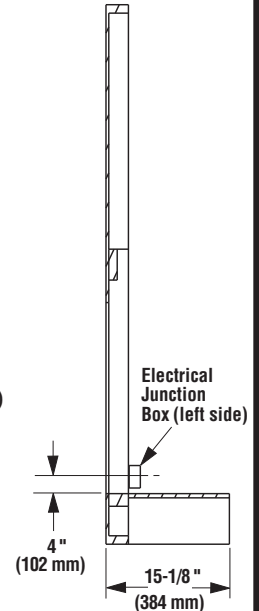


Corner View

Note: Framing dimensions are calculated for a nailing flange depth of 1/2"



Front View



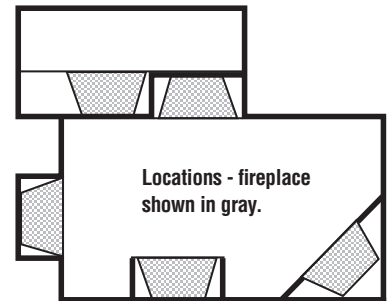
Side View

Product Reference Information

Model: Capella™ 36
 Description: Electric Fireplace,
 36" Radiant
 Shipping Weight: 90 lb.'s (41 KG)
 Packaging:
 44-3/4" x 19-1/2" x 34-1/4"
 (1135 mm x 495 mm x 870 mm)
 17.30 cu. ft.

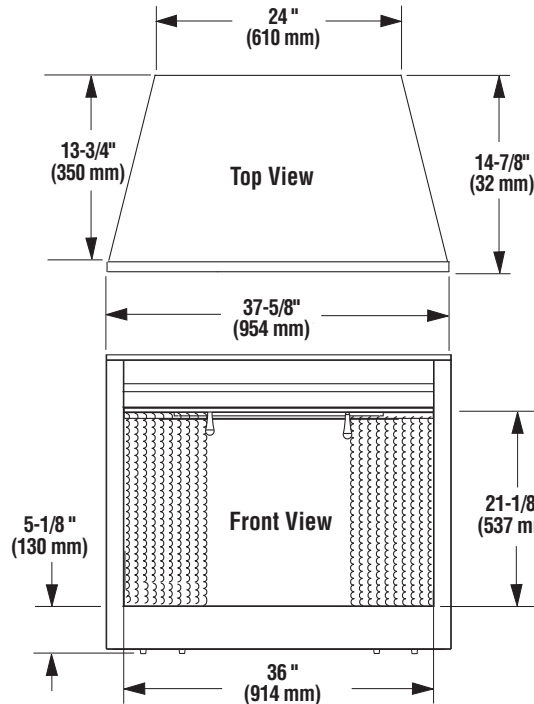
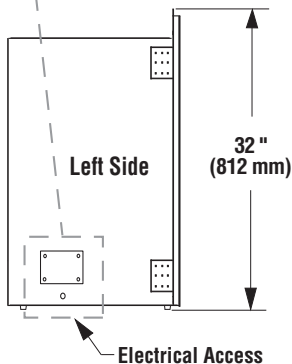
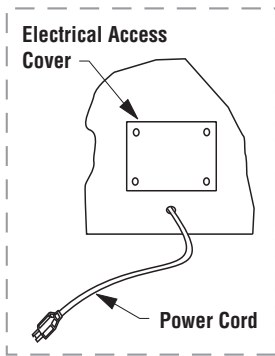
Power Requirements:
 (120 Volt, 60 Hz.)
 Rated Wattage - 1600 Watts
 Amperage - 13.33 Amps
 (240 Volt, 60 Hz.)
 Rated Wattage - 3000 Watts
 Amperage - 12.5 Amps
 Blower CFM: 83 CFM
 (120 V): 5,461 BTU/HR
 (240 V): 10,239 BTU/HR

Locations



Locations - fireplace shown in gray.

Fireplace Dimensions

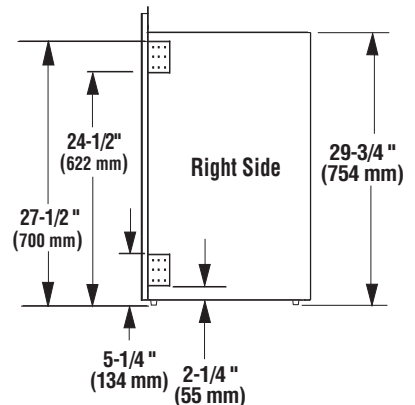


Listing



Report # 1482763

This appliance has been tested in accordance with UL 2021 and CSA C22.2 No. 46-M198 standards for fixed and location dedicated electric room heaters.



Capella™ 36

Clearances to Combustibles

Clearances - This appliance is an electric fireplace designed to be framed in with combustible materials (up to the edge of the appliance). A drywall lip at the top of the fireplace and 4 nailing flanges on the sides of the appliance is provided to facilitate installation.

Minimum Clearances Inches (millimeters)	
Back	0 (0)
Sides	0 (0)
Top	0 (0)
Floor	0 (0)

Mantel Clearance: Combustible and Non-combustible mantels may be installed at any height above the top of the face of fireplace.

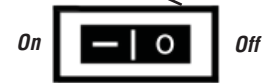
Hearth Protection: A hearth is not required, but it is recommended for aesthetic purposes.

Fireplace Manual Controls

Controls - The Electric Fireplace is provided with an Infrared light Remote Control. All functions of the fireplace can be controlled through the remote control. Note: The Effective range of the remote control is up to approximately 26 feet (8 meters). Manual Controls are also provided on the appliance.

Manual Control Panel

Main Power On/Off (rear most switch)



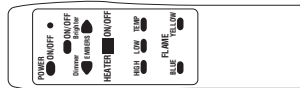
Heater On/Off (center switch)



Flame / Ember On/Off (front most switch)



Standard Full Function Infrared Light Remote Control.



Standard Features

- Oak log set.
- Smoked-Brick pattern glass interior.
- Adjustable flame height.
- Operable pull screens.
- 5000 BTU (120 V) or 10,000 BTU (240 V) heater.
- Full featured remote control.
- Wall switch and thermostat ready.
- 120 V Power Cord.

Options

- Wall switch
- Wall thermostat
- Glass Enclosure Kits (black, brass & stainless)
- Trim Kits (black, brass & stainless on bronze)
- Complete Front Face Kits (mission style & interlocking arch)

Fireplace Features & Optional Accessories



Specifications and clearances are subject to change without notice. Refer to Installation Manual before installation of these appliances for updated dimensions and instructions.

Printed in U.S.A. © 2015 by Innovative Hearth Products
P/N 900588-00 REV. NC 11/2015

astria
FIREPLACES®

ELECTRIC FIREPLACE

Page 2 of 2