

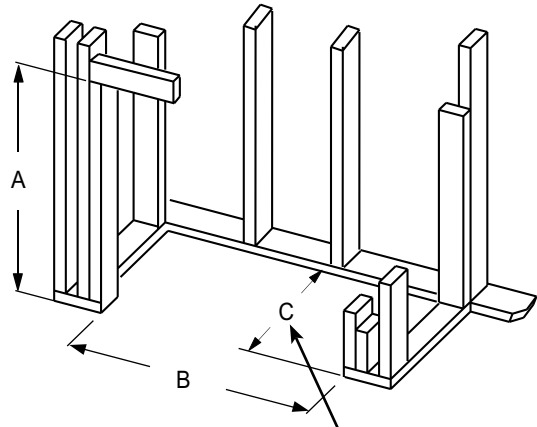
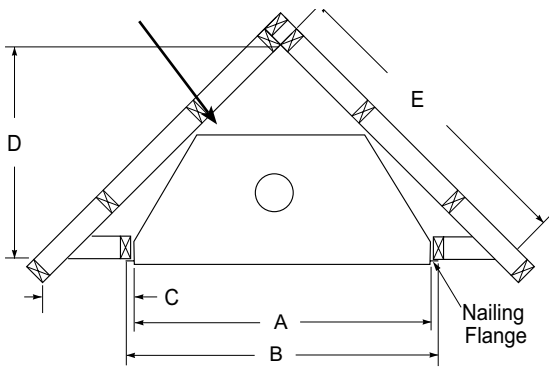
SENTINEL™ SERIES

DIRECT-VENT FIREPLACES

Maintain 1" Clearance at Sides and Back of Fireplace

Framing should be constructed of 2x4 or larger material

Framing Dimensions



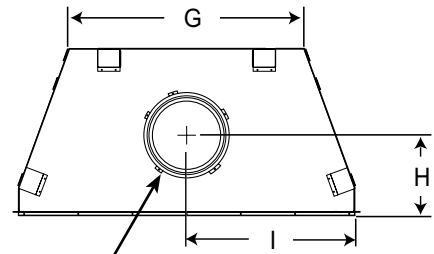
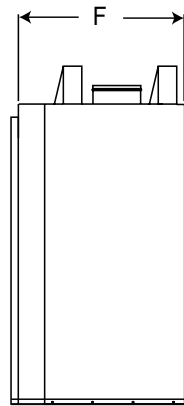
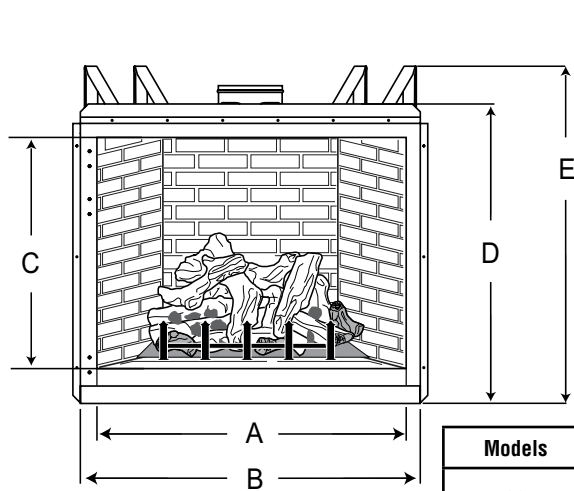
Diagrams, illustrations and photographs are not to scale. Consult installation instructions. Product designs, materials, dimensions, specifications, colors, and prices are subject to change or discontinuance without notice.

C is the required framing depth dimension when the finish material (drywall) thickness is 1/2" (13mm)

Models	A	B	C	D	E
36	41" 1041 mm	43" 1092 mm	15-3/4" 400 mm	36-3/8" 924 mm	51-3/8" 1305 mm
42	48" 1219 mm	50" 1270 mm	19" 483 mm	43-3/8" 1102 mm	61-3/4" 1568 mm

Models	A	B	C
36	44" 1118 mm	41-1/2" 1054 mm	22-1/8" 562 mm
42	48" 1219 mm	48-1/8" 1222 mm	26-1/8" 664 mm

Fireplace Dimensions

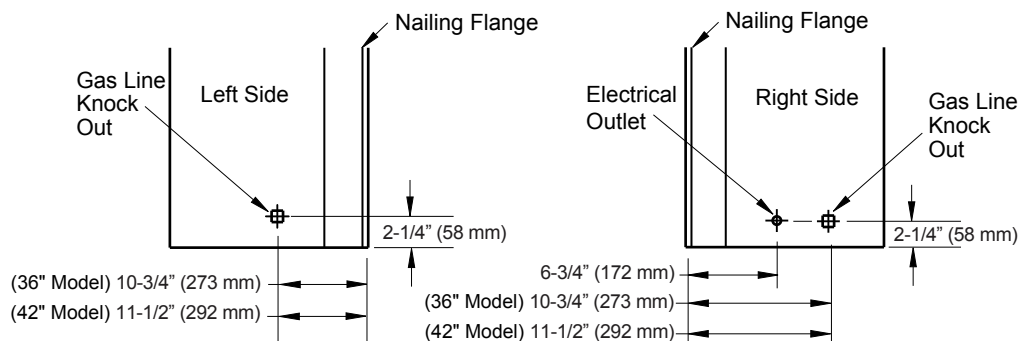


Requires IHP 5" (127) I.D.
8" (203) O.D. Direct-Vent Pipe

Models	A	B	C	D	E	F	G	H	I
36	35" 889 mm	41" 1041 mm	30" 730 mm	40" 1016 mm	44" 1118 mm	21-1/8" 537 mm	29-1/8" 738 mm	11-7/8" 302 mm	20-1/2" 521 mm
42	42" 1067 mm	48" 1219 mm	33-3/4" 857 mm	44" 1118 mm	48" 1219 mm	25-1/8" 638 mm	34-3/4" 883 mm	13-5/8" 347 mm	24" 610 mm

NOTE: DIAGRAMS & ILLUSTRATIONS ARE NOT TO SCALE.

Gas Line Dimensions



SENTINEL™ SERIES

Product Information

Cat. #	Model	Refractory	Weight	Cu. Ft.
F2288	Sentinel36TEN	Herringbone Red	300 lb.	53.3
F2289	Sentinel36TEN	Stacked Red	300 lb.	53.3
F2290	Sentinel36TEP	Herringbone Red	300 lb.	53.3
F2291	Sentinel36TEP	Stacked Red	300 lb.	53.3
F1577	Sentinel36TEN	Herringbone White	300 lb.	53.3
F1578	Sentinel36TEN	Stacked White	300 lb.	53.3
F1579	Sentinel36TEP	Herringbone White	300 lb.	53.3
F1580	Sentinel36TEP	Stacked White	300 lb.	53.3

Cat. #	Model	Refractory	Weight	Cu. Ft.
F2292	Sentinel42TEN	Herringbone Red	410 lb.	53.3
F2293	Sentinel42TEN	Stacked Red	410 lb.	53.3
F2294	Sentinel42TEP	Herringbone Red	410 lb.	53.3
F2295	Sentinel42TEP	Stacked Red	410 lb.	53.3
F1581	Sentinel42TEN	Herringbone White	410 lb.	53.3
F1582	Sentinel42TEN	Stacked White	410 lb.	53.3
F1583	Sentinel42TEP	Herringbone White	410 lb.	53.3
F1584	Sentinel42TEP	Stacked White	410 lb.	53.3



Report No. F09-099

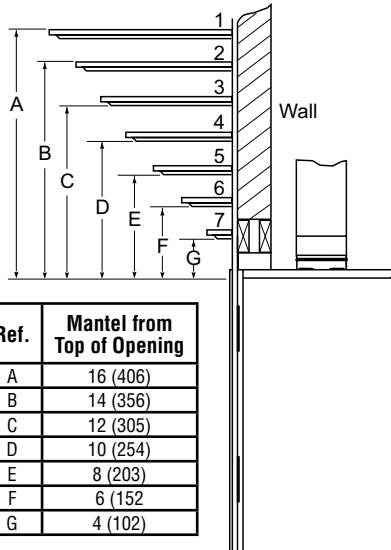
Listed by PFS Corporation to - ANSI Z21.50/CSA 2.22 standard as a vented gas fireplace.

Listing

Clearances

Mantel Clearance

Ref.	Mantel Depth	Ref.	Mantel from Top of Opening
1	14 (356)	A	16 (406)
2	12 (305)	B	14 (356)
3	10 (254)	C	12 (305)
4	8 (203)	D	10 (254)
5	6 (152)	E	8 (203)
6	4 (102)	F	6 (152)
7	2 (51)	G	4 (102)



Minimum clearances to combustibles for the fireplace are as follows:

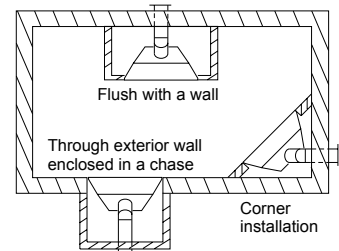
*Back and Sides	1"	26 mm
Perpendicular Walls	6"	153 mm
Floor	0"	0 mm
Ceiling to Louver Opening	42"	1067 mm
Front	36"	915 mm
Top of Standoffs	0"	0 mm

NOTE: Combustible material with a thickness of 5/8" (16 mm) may be flush with the top of the fireplace.

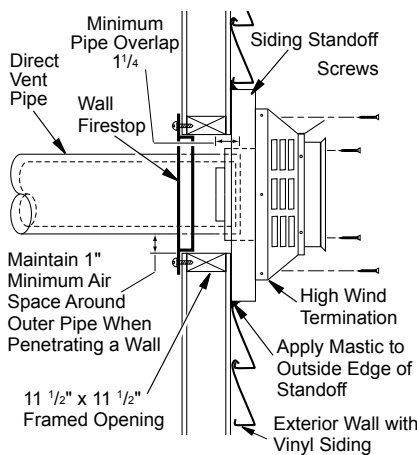
* For back and sides of fireplace, do not pack with insulation or other materials. 1" (26 mm) clearance not required at nailing flanges.

See venting instructions for specific venting clearances.

Locations



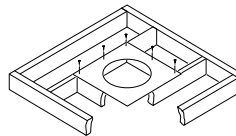
Horizontal Termination



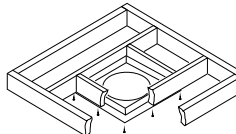
Uses 5" / 8" Direct-Vent Coaxial Chimney

Firestop

If area above is an attic or insulated area, install firestop above framed hole.



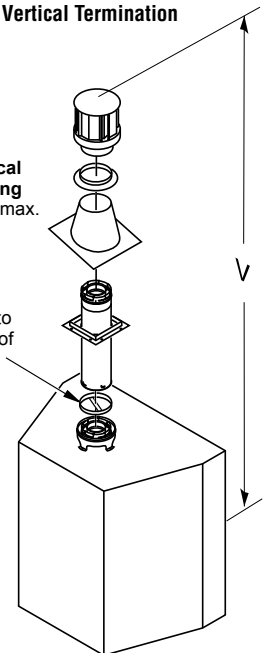
If area above is a living space, install firestop below framed hole.



Vertical Termination

Vertical Venting
V = 40' max.

Note: Install Restrictor into Inner Collar of Fireplace as Shown



Venting

NOTE: DIAGRAMS & ILLUSTRATIONS ARE NOT TO SCALE.