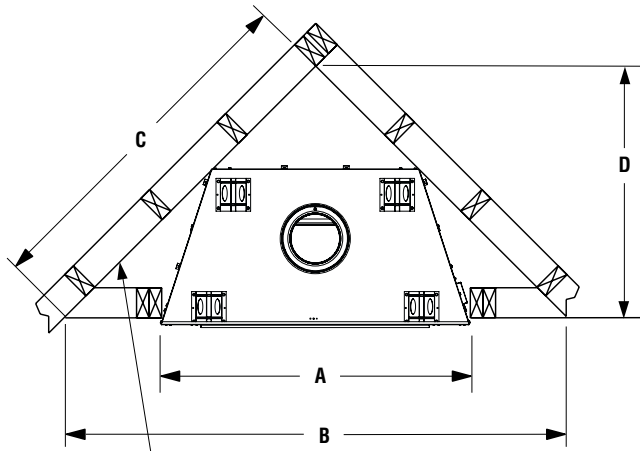


MONTEBELLO® DLX PV SERIES

DIRECT-VENT POWER-VENT FIREPLACES

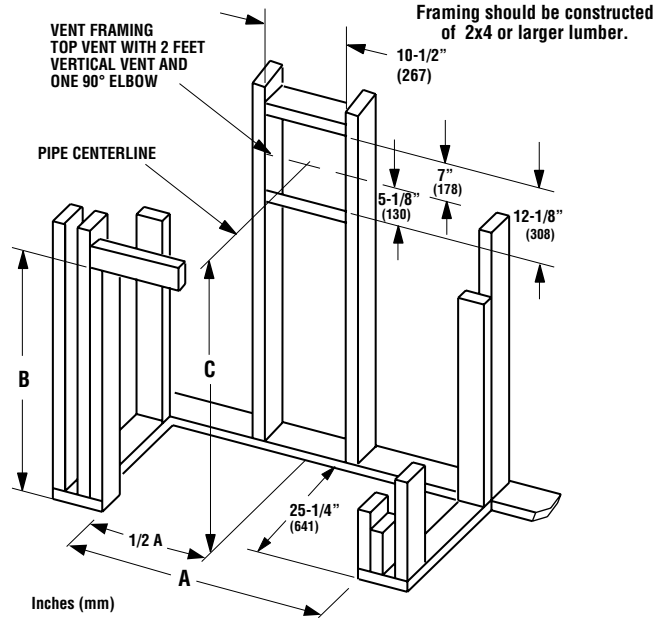
Framing Dimensions



Back wall of chase/enclosure
(including any finishing materials)

Models	A	B	C	D
40" Models	50-5/8" 1286 mm	83-5/8" 2124 mm	59-1/8" 1502 mm	41-7/8" 1064 mm
45" Models	56-3/4" 1441 mm	89-7/8" 2283 mm	63-1/2" 1613 mm	44-7/8" 1140 mm

Diagrams, illustrations and photographs are not to scale. Consult installation instructions. Product designs, materials, dimensions, specifications, colors, and prices are subject to change or discontinuance without notice.

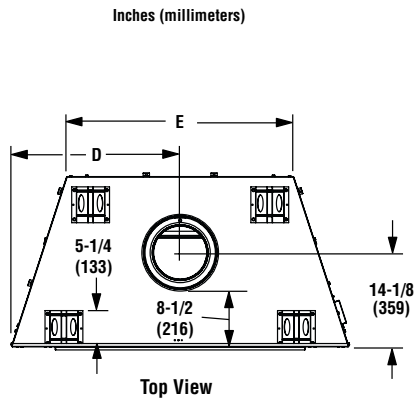


Inches (mm)

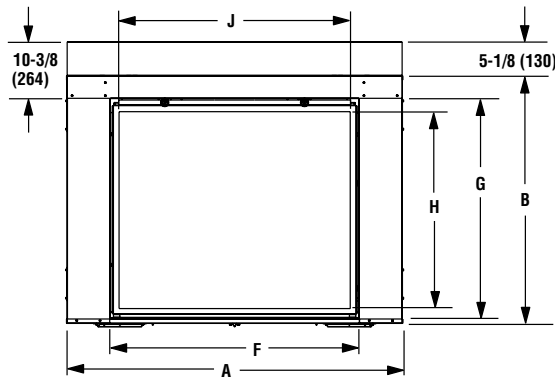
Models	A	B	C
40" Models	50-3/4" 1289 mm	45" 1143 mm	139-1/8" 3534 mm
45" Models	56-7/8" 1445 mm	50" 1270 mm	144-1/8" 3661 mm

Fireplace Dimensions

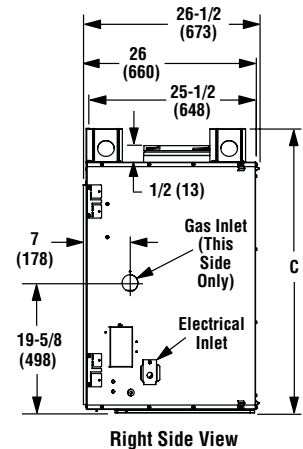
Models	A	B	C	D	E	F	G	H	J
40" Models	50-5/8" 1286 mm	39-1/4" 997 mm	45" 1143 mm	25-3/8" 645 mm	34" 864 mm	37-5/8" 956 mm	33-1/8" 842 mm	29-3/8" 746 mm	34-3/4" 883 mm
45" Models	56-3/4" 1442 mm	44-1/4" 1124 mm	47-7/8" 1216 mm	28-3/8" 721 mm	40-1/8" 1019 mm	43-5/8" 1108 mm	38-1/8" 969 mm	34-1/2" 876 mm	41" 1042 mm



Top View



Front View



Right Side View

NOTE: DIAGRAMS & ILLUSTRATIONS ARE NOT TO SCALE.

MONTEBELLO® DLX PV SERIES

Product Info

Cat. No.	Model	Weight	Cu. Ft.
F2216	MontebelloDLX40TYN	258 lb.	48.3
F2217	MontebelloDLX45TYN	300 lb.	58.0
F2218	Montebello DLXCD40TYE	258 lb.	48.3
F2219	Montebello DLXCD45TYE	300 lb.	58.0

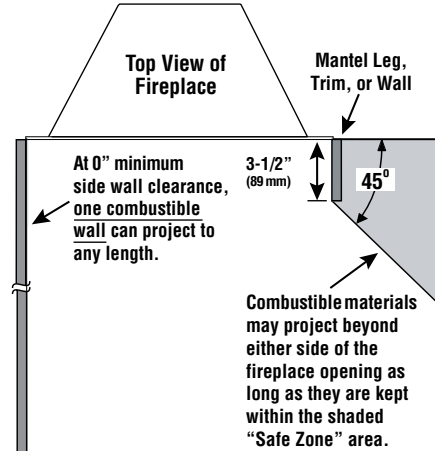
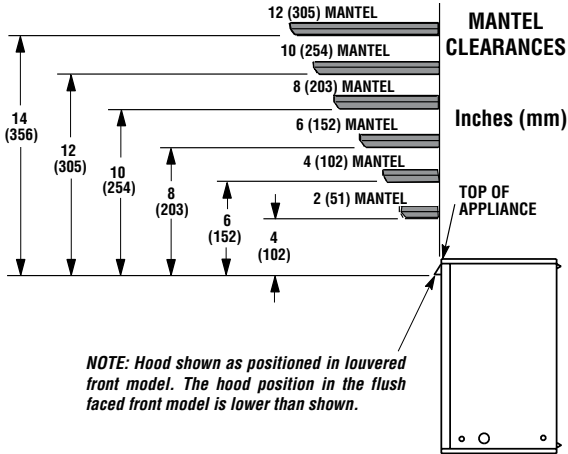
Listing



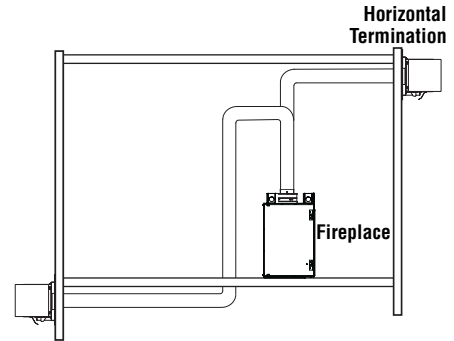
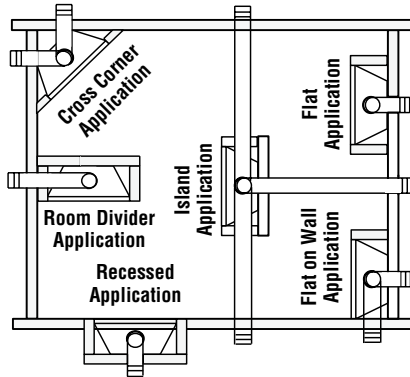
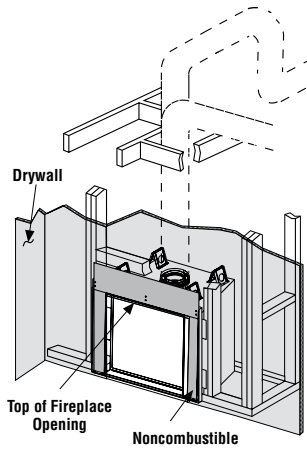
Report No. F14-106

Listed by PFS Corporation to -Z21.50b (in Canada, CSA-2.22b), and CAN/CGA-2.17-M91 (R2009) in both USA and Canada, as vented gas fireplaces.

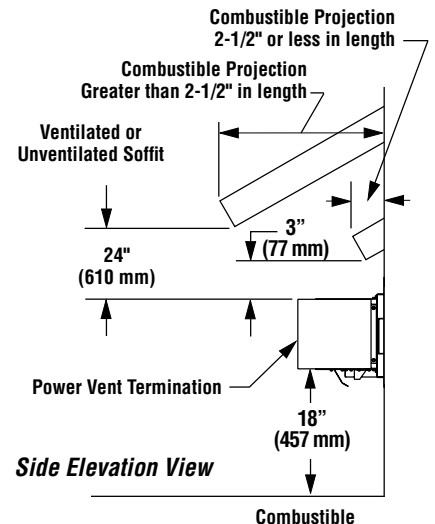
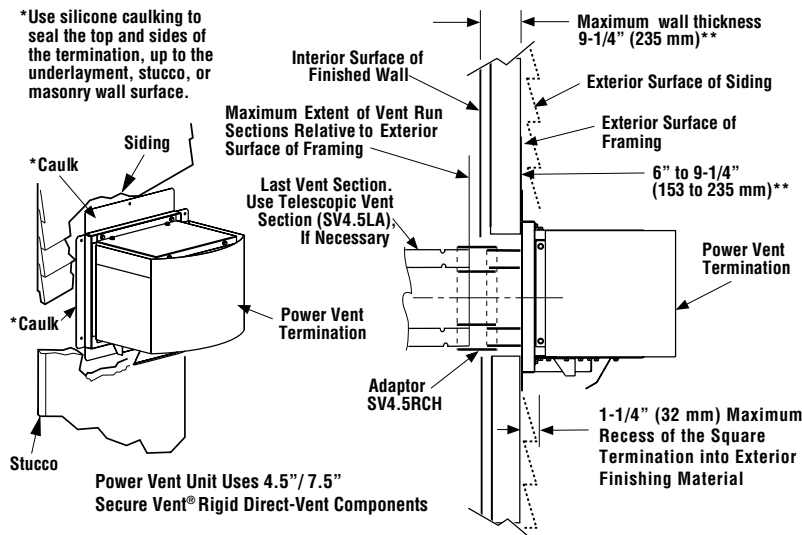
Clearances



Venting



*Use silicone caulking to seal the top and sides of the termination, up to the underlayment, stucco, or masonry wall surface.



NOTE: DIAGRAMS & ILLUSTRATIONS ARE NOT TO SCALE.

Printed in U.S.A. © 2016 Innovative Hearth Products
P/N 900627-00 REV. NC 04/2016

astria
FIREPLACES®

Specifications and clearances are subject to change without notice. Refer to Installation Manual before installation of these appliances for updated dimensions and instructions.

Page 2 of 2