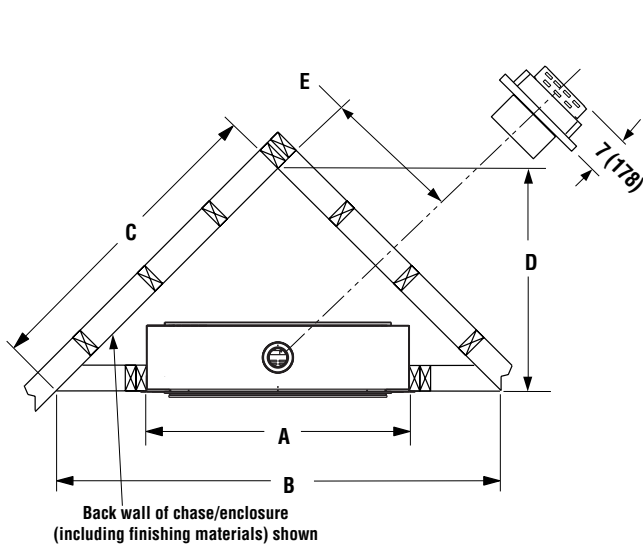


SIRIUS™ SERIES

DIRECT-VENT FIREPLACES

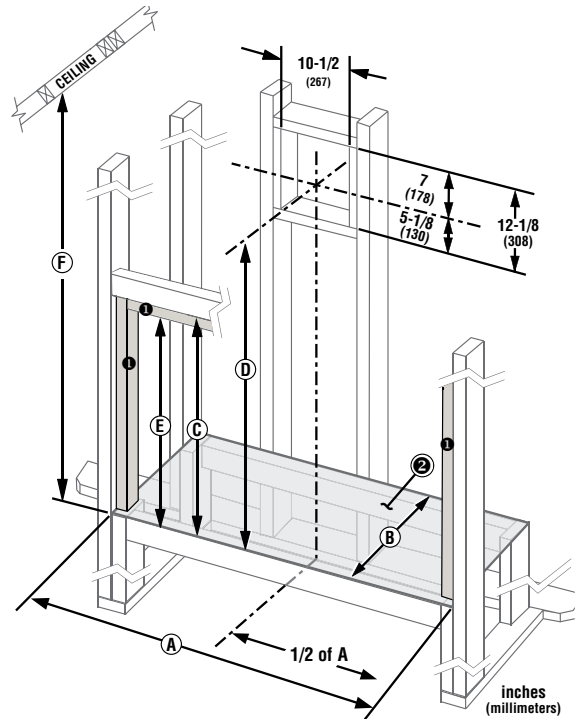
Framing Dimensions



Inches (millimeters)

Models	A	B	C	D	E
42"	54-3/4" 1366 mm	94-3/4" 2407 mm	67" 1702 mm	47-3/8" 1203 mm	25-1/8" 638 mm
54"	65-3/4" 1670 mm	106-3/4" 2711 mm	75-1/2" 1917 mm	53-3/8" 1356 mm	29-3/8" 745 mm

Diagrams, illustrations and photographs are not to scale. Consult installation instructions. Product designs, materials, dimensions, specifications, colors, and prices are subject to change or discontinuance without notice.



- ① Cripple (jack) stud, recessed 1/2" back (both sides and top)
- ② Mounting platform

Model	A	B*	C	D	E**	F***
42"	57 (1448)	21 (534)	37 (940)	44-3/8 (1127)	35-5/8 (905)	65 (1651)
54"	69 (1753)	21 (534)	40-7/8 (1039)	48-1/4 (1226)	39-1/2 (1004)	65 (1651)

*with 1/2" recess for flush framing

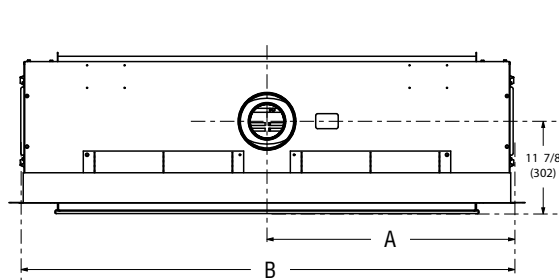
** Top Jack Stud Header positioned horizontally

*** Minimum height from appliance base front to ceiling

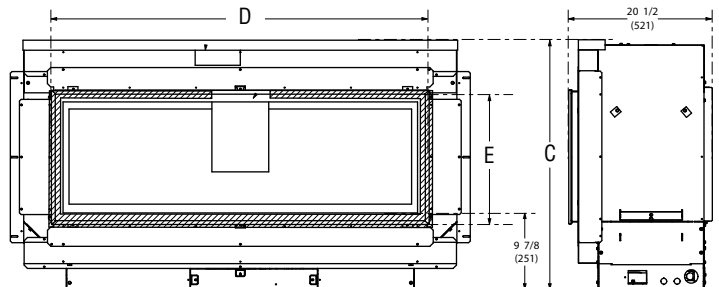
Fireplace Dimensions

Models	A	B	C	D	E
42" Models	26-7/8" 683 mm	53-3/4" 1366 mm	32-1/2" 826 mm	44-1/8" 1121 mm	15-3/4" 398 mm
54" Models	32-1/2" 826 mm	65-3/4" 1670 mm	36-3/8" 924 mm	56-1/8" 1426 mm	19-5/8" 498 mm

Inches (millimeters)



Top View



Front View

Right Side View

NOTE: DIAGRAMS & ILLUSTRATIONS ARE NOT TO SCALE.

SIRIUS™ SERIES

Product Info

Cat. No.	Model	Weight	Cu. Ft.
F2241	Sirius42TEN	226 lb.	38.9
F2243	Sirius42TEP	226 lb.	38.9
F2245	Sirius54TEN	311 lb.	48.1
F2247	Sirius54TEP	311 lb.	48.1

Listing

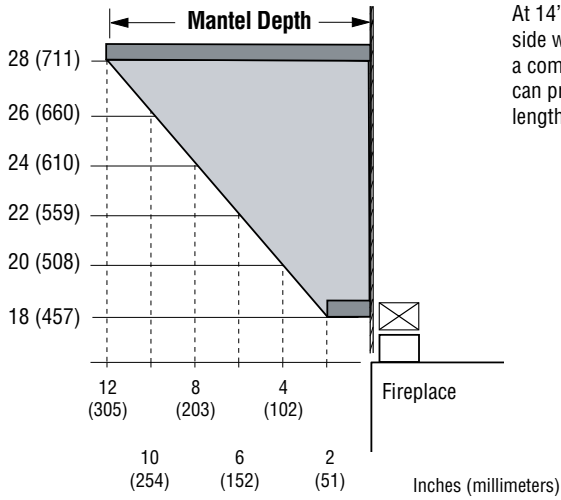


Report No. F14-108

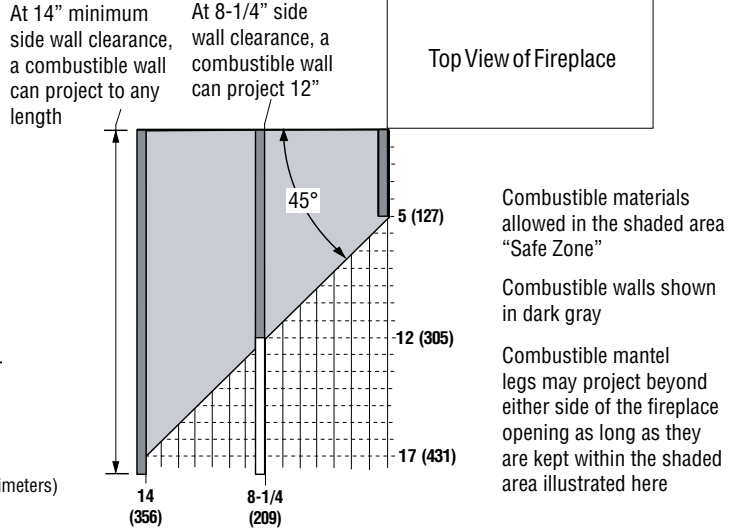
Listed by PFS Corporation to - ANSI Z21.88 (in Canada, CSA-2.33), and CAN/CGA-2.17-M91 in both USA and Canada, as a vented gas fireplace heaters.

Clearances

Mantel Clearance

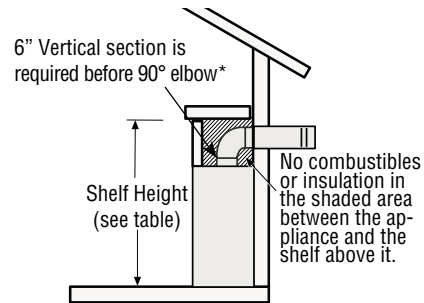


Side Wall Clearance

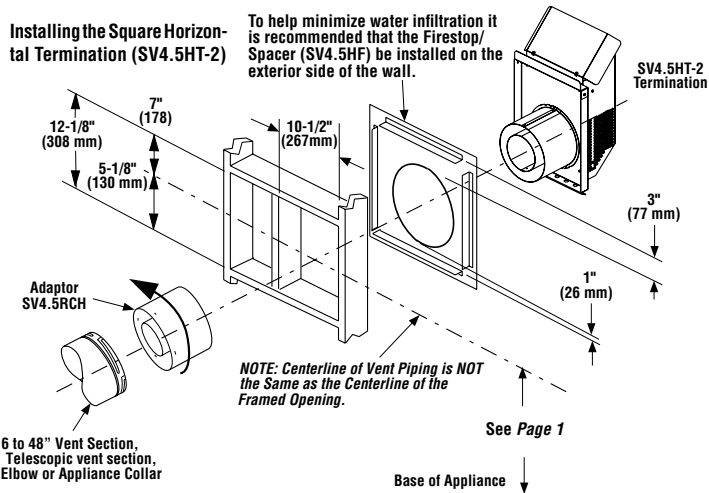


Model	Top Vent with one 90° Elbow *	
	Secure Vent®	Secure Flex® (flex elbow)
42" *	51-1/4" (1299 mm)**	53" (1345 mm)**
54" *	55" (1400 mm)**	56-3/4" (1441 mm)**

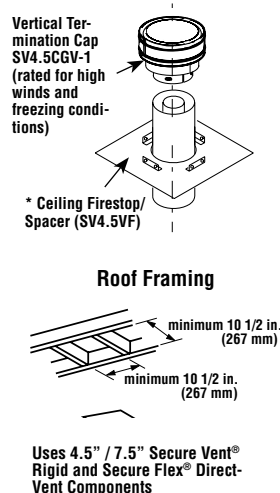
* 6" straight vent section required before 90° elbow
** Includes 3" clearance to combustibles required above vent components



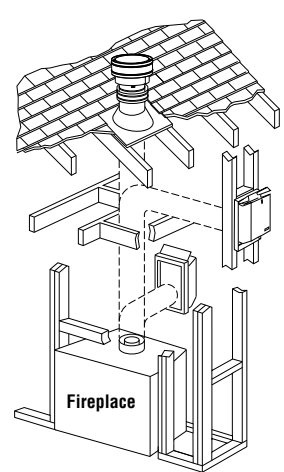
Horizontal Termination



Vertical Termination



Typical Installations



Venting

NOTE: DIAGRAMS & ILLUSTRATIONS ARE NOT TO SCALE.

Printed in U.S.A. © 2016 Innovative Hearth Products
P/N 900632-00 REV. C 12/2018



Specifications and clearances are subject to change without notice. Refer to Installation Manual before installation of these appliances for updated dimensions and instructions.

Page 2 of 2