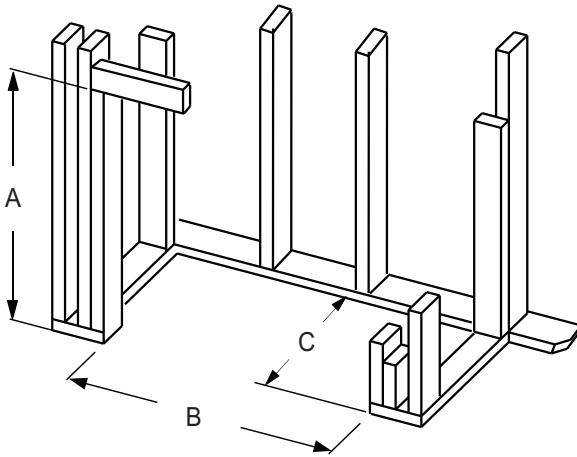


# ALPHA™ SERIES

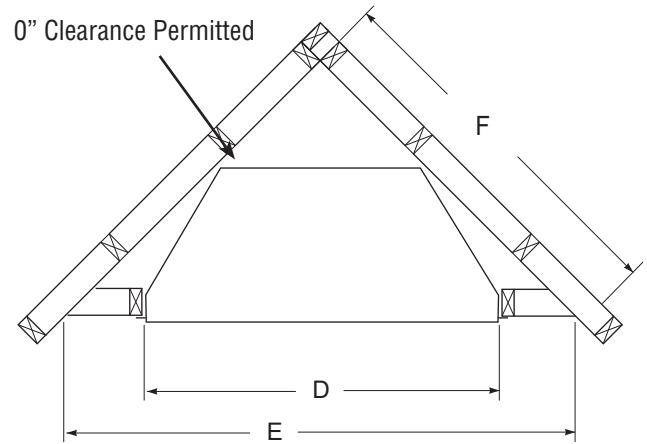
## VENT-FREE FIREPLACES

Framing Dimensions



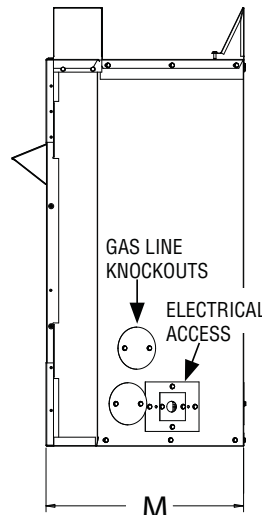
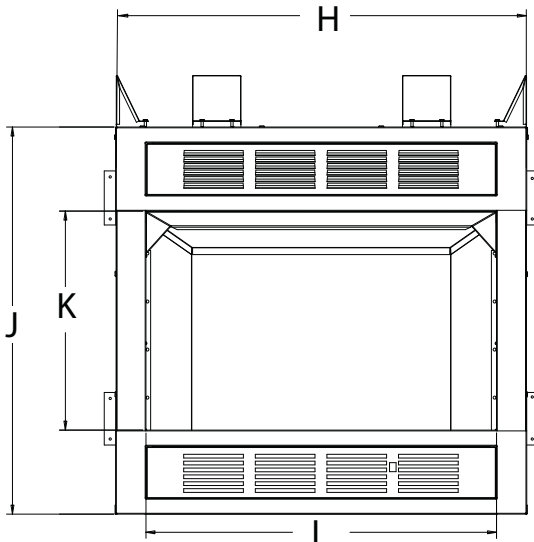
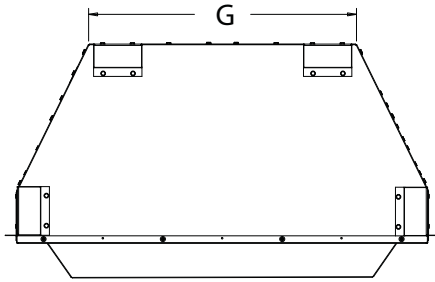
Models	A	B	C
<b>32" Models</b>	36-3/4" 934 mm	34-7/8" 886 mm	16-1/4" 413 mm
<b>36" Models</b>	40-1/2" 1029 mm	41-1/2" 1054 mm	20-3/4" 527 mm

0" Clearance Permitted



Models	D	E	F
<b>32" Models</b>	34-1/2" 876 mm	55-5/8" 1413 mm	39-3/8" 1000 mm
<b>36" Models</b>	41-1/2" 1054 mm	71-1/4" 1810 mm	50-3/8" 1280 mm

Fireplace Dimensions



	32" Models	36" Models
<b>G</b>	22-1/2" 572 mm	25" 635 mm
<b>H</b>	34-1/2" 877 mm	41-1/8" 1045 mm
<b>J</b>	32" 813 mm	36" 915 mm
<b>K</b>	18" 457 mm	21" 534 mm
<b>L</b>	29-3/8" 746 mm	35-1/8" 892 mm
<b>M</b>	16-3/4" 426 mm	21-1/4" 540 mm

*Diagrams, illustrations and photographs are not to scale. Consult installation instructions. Product designs, materials, dimensions, specifications, colors, and prices are subject to change or discontinuance without notice.*

NOTE: DIAGRAMS & ILLUSTRATIONS ARE NOT TO SCALE.

# ALPHA™ SERIES

Product Information

Radiant			
Cat. #	Model	Weight	Cu. Ft.
F1222	Alpha32ZMN	110 lb.	15.9
F1224	Alpha32ZMP	110 lb.	15.9
F1221	Alpha32ZEN	110 lb.	15.9
F1223	Alpha32ZEP	110 lb.	15.9
F1226	Alpha36ZMN	156 lb.	23.4
F1228	Alpha36ZMP	156 lb.	23.4
F1225	Alpha36ZEN	156 lb.	23.4
F1227	Alpha36ZEP	156 lb.	23.4

Louvered			
Cat. #	Model	Weight	Cu. Ft.
F1230	Alpha32ZMN	110 lb.	15.9
F1232	Alpha32ZMP	110 lb.	15.9
F1229	Alpha32ZEN	110 lb.	15.9
F1231	Alpha32ZEP	110 lb.	15.9
F1234	Alpha36ZMN	156 lb.	23.4
F1236	Alpha36ZMP	156 lb.	23.4
F1233	Alpha36ZEN	156 lb.	23.4
F1235	Alpha36ZEP	156 lb.	23.4

Listing Information

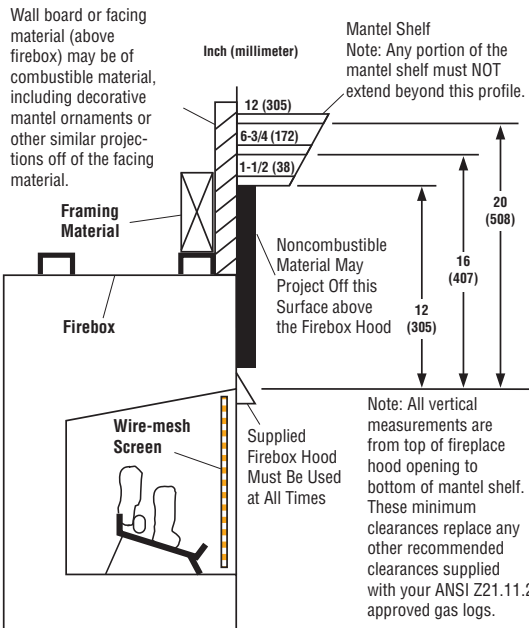


Report No. F12-047

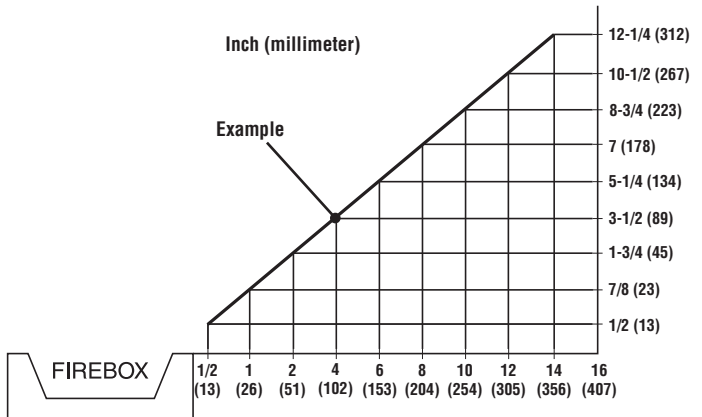
These appliances comply with National Safety Standards and are listed by PFS Corporation to ANSI Z21.11.2 as unvented Gas-fired room heaters.

Clearances

## Mantel Clearance



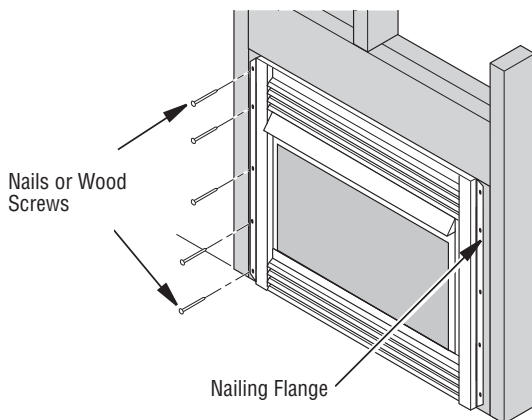
Mantel from Top of Opening	→	Mantel Depth Allowed
12" (305 mm)	→	1-1/2" (38 mm) max.
16" (407 mm)	→	6-3/4" (172 mm) max.
20" (508 mm)	→	12" (305 mm) max.



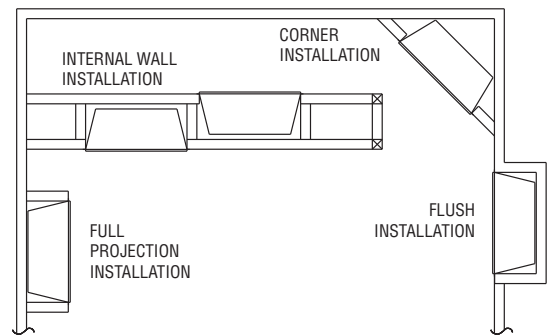
## Minimum Wall and Ceiling Clearances

- Clearances from the side of the fireplace cabinet to any combustible material and wall should follow diagram shown here.  
Example: The face of a mantel, bookshelf, etc. is made of combustible material and protrudes 3-1/2" from the wall. This combustible material must be 4" from the side of the fireplace cabinet.
- Clearances from the top of the firebox opening to the ceiling should not be less than 42".
- When the firebox is installed directly on carpeting, vinyl tile or other combustible material, other than wood flooring, the firebox should be installed on a metal or wood panel extending the full width and depth of the enclosure.
- Clearances from the bottom of firebox to the floor is 0".

Nailing Flanges



Typical Locations



NOTE: DIAGRAMS & ILLUSTRATIONS ARE NOT TO SCALE.

Specifications and clearances are subject to change without notice. Refer to Installation and Operation Manual before installation of these appliances for updated dimensions and instructions.