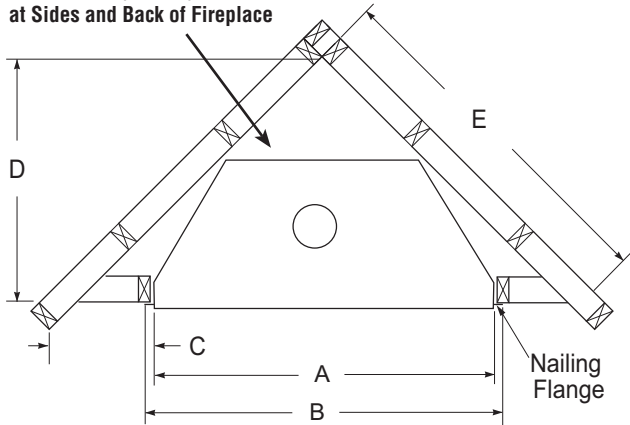


# DEVONSHIRE™ SERIES

## DIRECT-VENT FIREPLACES

### Framing Dimensions

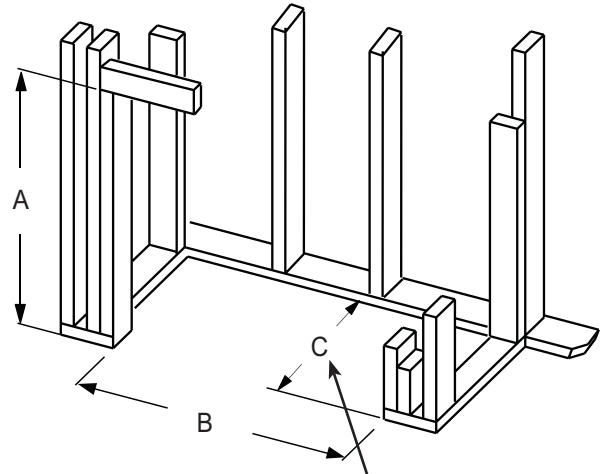
Maintain 1" (26 mm) Clearance at Sides and Back of Fireplace



Diagrams, illustrations and photographs are not to scale. Consult installation instructions. Product designs, materials, dimensions, specifications, colors, and prices are subject to change or discontinuance without notice.

Models	A	B	C	D	E
Devonshire 36	41" 1041 mm	43" 1092 mm	15-3/4" 400 mm	36-3/8" 924 mm	51-3/8" 1305 mm
Devonshire 42	48" 1219 mm	50" 1270 mm	19" 483 mm	43-3/8" 1102 mm	61-3/4" 1568 mm

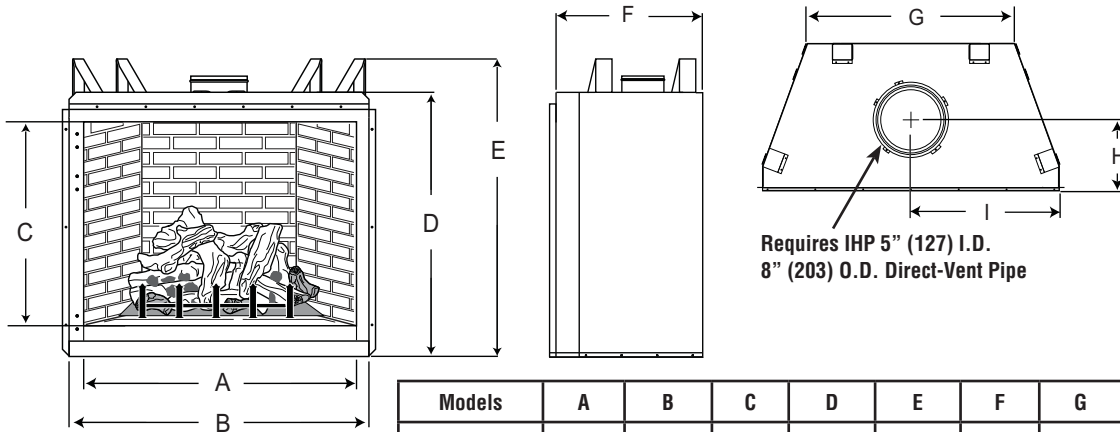
Framing should be constructed of 2x4 or larger material



C is the required framing depth dimension when the finish material (drywall) thickness is 1/2" (13mm)

Models	A	B	C
Devonshire 36	44" 1118 mm	41-1/2" 1054 mm	22-1/8" 562 mm
Devonshire 42	48" 1220 mm	48-1/8" 1222 mm	26-1/8" 664 mm

### Fireplace Dimensions

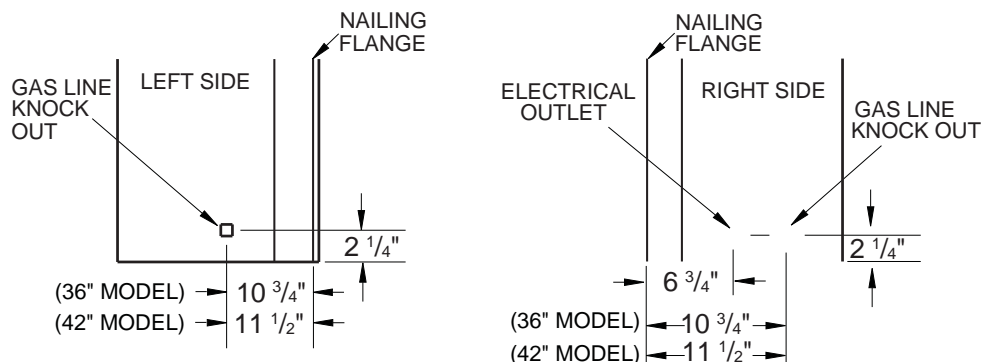


Requires IHP 5" (127) I.D.  
8" (203) O.D. Direct-Vent Pipe

Models	A	B	C	D	E	F	G	H	I
Devonshire 36	35" 889 mm	41" 1041 mm	30" 730 mm	40" 1016 mm	44" 1118 mm	21-1/8" 537 mm	29-1/8" 738 mm	11-7/8" 302 mm	20-1/2" 521 mm
Devonshire 42	42" 1067 mm	48" 1219 mm	33-3/4" 857 mm	44" 1118 mm	48" 1219 mm	25-1/8" 638 mm	34-3/4" 883 mm	13-5/8" 347 mm	24" 610 mm

NOTE: DIAGRAMS & ILLUSTRATIONS ARE NOT TO SCALE.

### Gas Line Dimensions



# DEVONSHIRE™ SERIES

Product Information

Cat. #	Model	Refractory	Weight	Cu. Ft.
F1547	Devonshire36TEN	Herringbone Ivory	234 lb.	53.3
F1548	Devonshire36TEN	Herringbone Red	234 lb.	53.3
F1546	Devonshire36TEN	Ledgestone Tan	234 lb.	53.3
F1545	Devonshire36TEN	Stacked Red	234 lb.	53.3
F1544	Devonshire36TEN	Stacked Ivory	234 lb.	53.3
F1549	Devonshire36TEP	Herringbone Ivory	234 lb.	53.3
F1550	Devonshire36TEP	Herringbone Red	234 lb.	53.3
F1551	Devonshire36TEP	Ledgestone Tan	234 lb.	53.3
F1553	Devonshire36TEP	Stacked Red	234 lb.	53.3
F1552	Devonshire36TEP	Stacked Ivory	234 lb.	53.3

Cat. #	Model	Refractory	Weight	Cu. Ft.
F1554	Devonshire42TEN	Herringbone Ivory	328 lb.	53.3
F1555	Devonshire42TEN	Herringbone Red	328 lb.	53.3
F1556	Devonshire42TEN	Ledgestone Tan	328 lb.	53.3
F1558	Devonshire42TEN	Stacked Red	328 lb.	53.3
F1557	Devonshire42TEN	Stacked Ivory	328 lb.	53.3
F1559	Devonshire42TEP	Herringbone Ivory	328 lb.	53.3
F1563	Devonshire42TEP	Herringbone Red	328 lb.	53.3
F1561	Devonshire42TEP	Ledgestone Tan	328 lb.	53.3
F1560	Devonshire42TEP	Stacked Red	328 lb.	53.3
F1562	Devonshire42TEP	Stacked Ivory	328 lb.	53.3

Listing Information



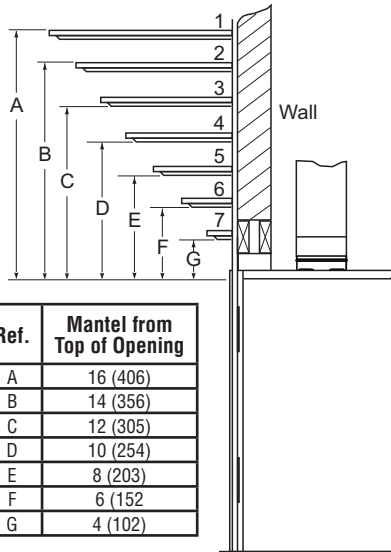
Report No. F09-099

This fireplace complies with the National Safety Standards and is listed by the PFS Corporation to ANSI Z21.50/CSA 2.22 standard as a vented gas fireplace.

Clearances

### Mantel Clearance

Ref.	Mantel Depth	Ref.	Mantel from Top of Opening
1	14 (356)	A	16 (406)
2	12 (305)	B	14 (356)
3	10 (254)	C	12 (305)
4	8 (203)	D	10 (254)
5	6 (152)	E	8 (203)
6	4 (102)	F	6 (152)
7	2 (51)	G	4 (102)



### Minimum clearances to combustibles for the fireplace are as follows:

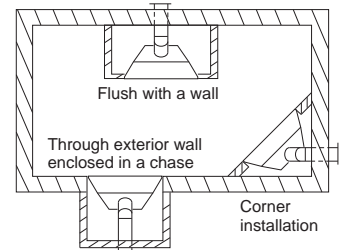
*Back and Sides	1"	26 mm
Perpendicular Walls	6"	153 mm
Floor	0"	0 mm
Ceiling to Louver Opening	42"	1067 mm
Front	36"	915 mm
Top of Standoffs	0"	0 mm

**NOTE:** Combustible material with a thickness of 5/8" (16 mm) may be flush with the top of the fireplace.

\* For back and sides of fireplace, do not pack with insulation or other materials. 1" (26 mm) clearance not required at nailing flanges.

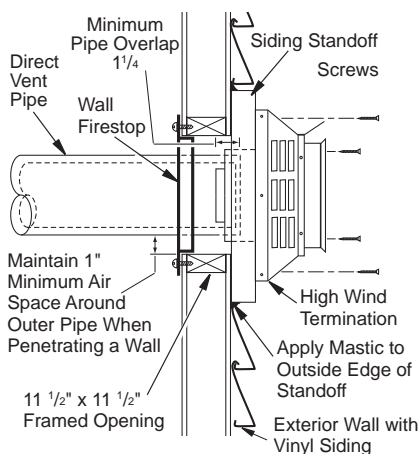
See venting instructions for specific venting clearances.

### Locations



Venting

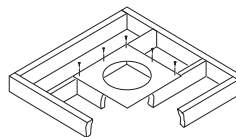
### Horizontal Termination



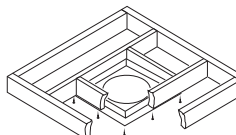
Uses 5" / 8" Direct-Vent Coaxial Chimney

### Firestop

If area above is an attic or insulated area, install firestop above framed hole.



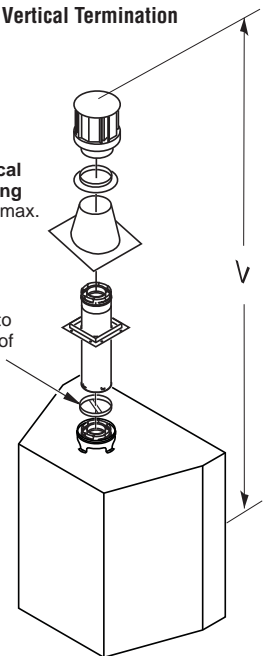
If area above is a living space, install firestop below framed hole.



### Vertical Termination

Vertical Venting  
V = 40' max.

**Note:** Install Restrictor into Inner Collar of Fireplace as Shown



NOTE: DIAGRAMS & ILLUSTRATIONS ARE NOT TO SCALE.

Printed in U.S.A. © 2016 Innovative Hearth Products  
P/N 900622-00 REV. NC 05/2016

astria  
FIREPLACES®

Specifications and clearances are subject to change without notice. Refer to Installation Manual before installation of these appliances for updated dimensions and instructions.

Page 2 of 2