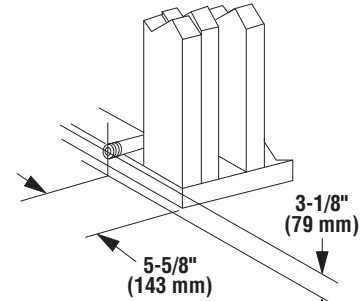
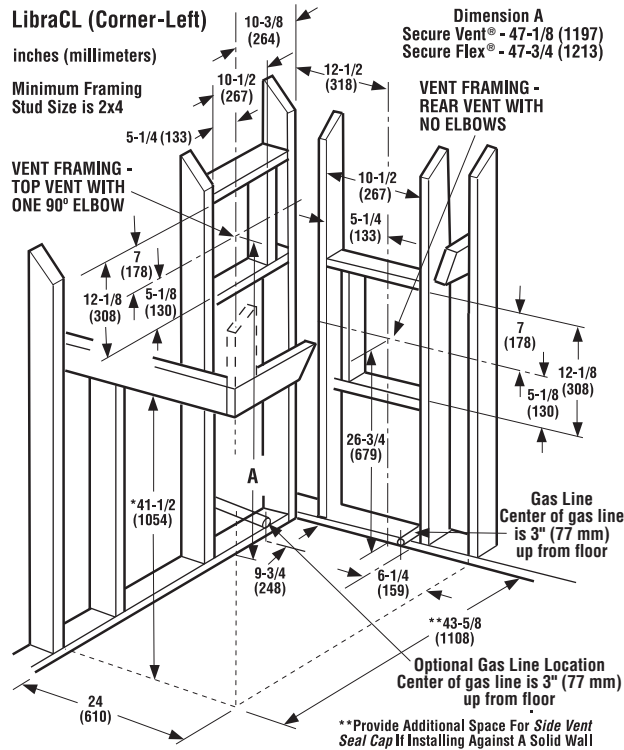


# LIBRA 40CL

## DIRECT-VENT FIREPLACES

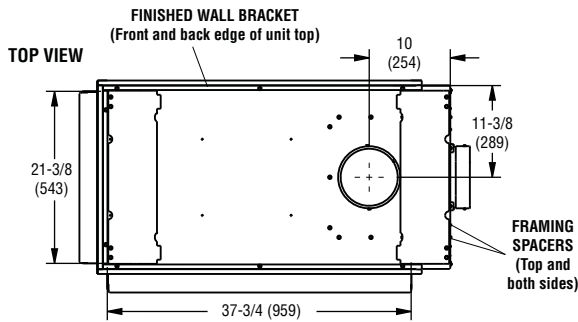
Framing Dimensions



Route a 1/2" (13 mm) gas line to the right side of the appliance as shown

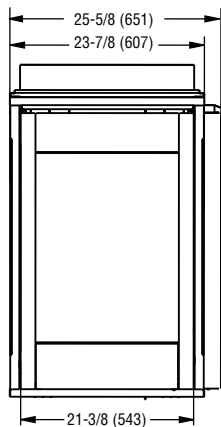
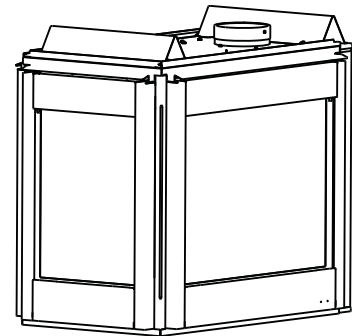
\* This dimension can be reduced to 41" (1042 mm). This results in 0" (0 mm) clearance between framing and unit framing spacers. The 41-1/2" (1054 mm) dimension permits easier fireplace installation, if unit is installed after framing is erected.

Fireplace Dimensions

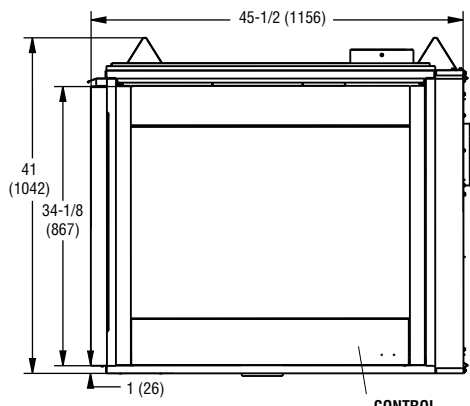


Inches (millimeters)

*NOTE: Unit has a factory-installed vent seal cap and vent cover plate in each flue outlet. The vent seal cap is not shown in this figure.*



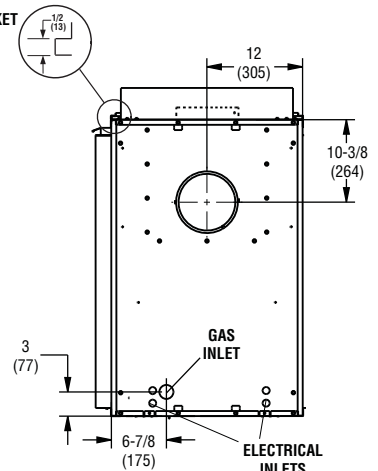
LEFT SIDE VIEW



FRONT VIEW

CONTROL COMPARTMENT ACCESS PANEL

DETAIL OF FINISH WALL BRACKET



RIGHT SIDE VIEW

Inches (millimeters)

# LIBRA 40CL

Product Info

Product Reference Information			
Cat. No.	Model	Shipping Weight	Shipping Volume
F1591	LIBRA 40CLDMN	299 lbs.	42.0 cu.ft.
F1592	LIBRA 40CLDMP	299 lbs.	42.0 cu.ft.
F1593	LIBRA 40CLDEN	299 lbs.	42.0 cu.ft.

Listing

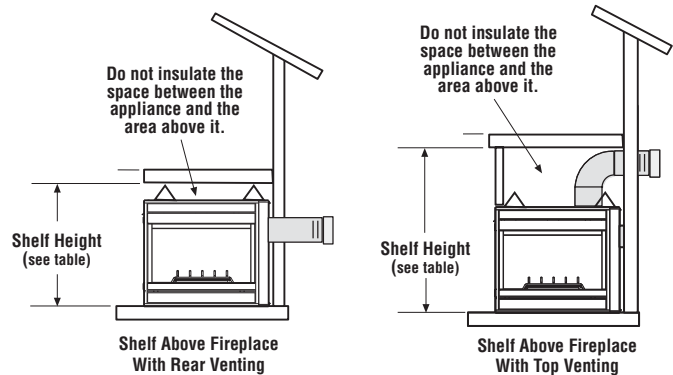


Report No. 14-171

These appliances comply with National Safety Standards and are tested and listed by PFS to ANSI Z21.88 (in Canada, CSA-2.33), and CAN/CGA-2.17-M91, latest editions, in both USA and Canada, as vented gas fireplace heaters.

Shelf Height

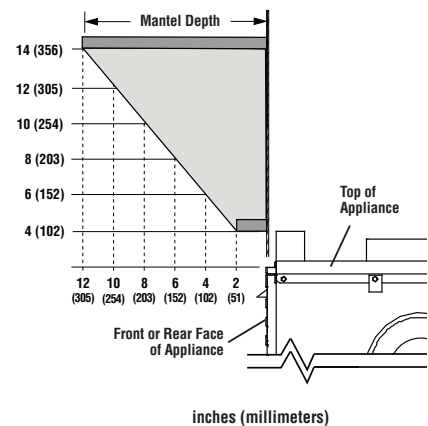
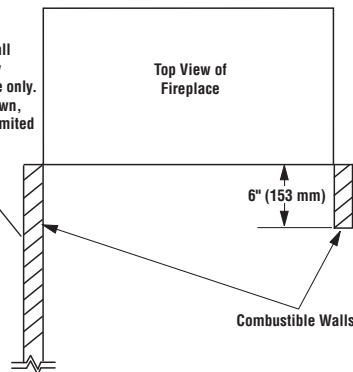
Model	Combustible Shelf Height - Inches (millimeters)			
	Top Vent - with One 90° Elbow		Rear Vent - Straight Out the Back	
	Secure Vent®	Secure Flex®	Secure Vent	Secure Flex
LIBRA 40CL	53-7/8 (1368)	55-5/8 (1413)	41-1/8 (1045)	41-1/8 (1045)



Clearances

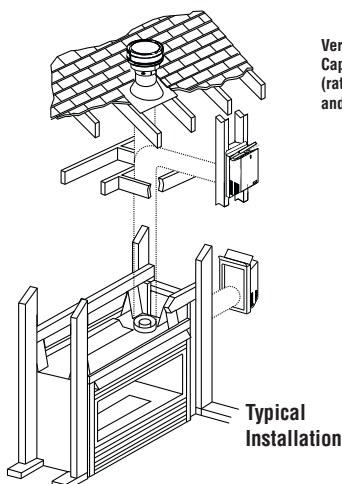
Minimum Clearances Inches (millimeters)	
Back & Sides	1/2 (13) 0 (0) from Spacers or Dimples
Top Spacers	0 (0)
Floor	0 (0)
From Bottom of Unit To Ceiling	64 (1626)
Vent	3 (77) Top* / 1 (26) Sides & Bottom
Service Clearances - Feet (meters)	
Front, Back & Sides	3 feet (0.9 meters)

A Combustible Wall may extend to any length on one side only. If installed as shown, opposite side is limited to 6" (153 mm).

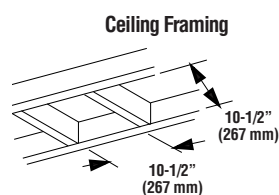
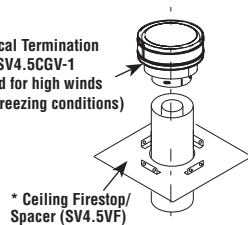


\*NOTE: 3" (77 mm) above any horizontal/ inclined vent component.

Venting

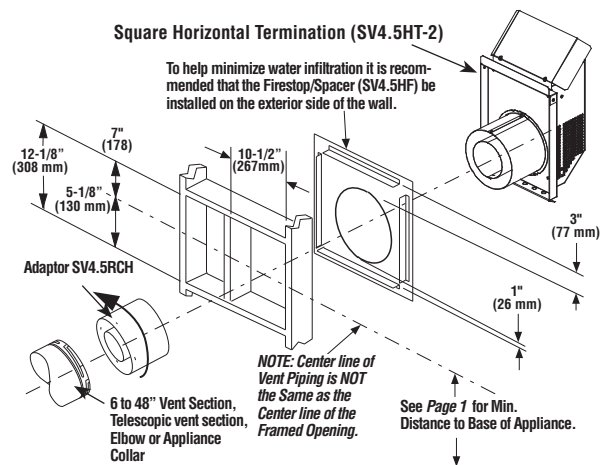


Vertical Termination Cap SV4.5CGV-1 (rated for high winds and freezing conditions)



Square Horizontal Termination (SV4.5HT-2)

To help minimize water infiltration it is recommended that the Firestop/Spacer (SV4.5HF) be installed on the exterior side of the wall.



NOTE: DIAGRAMS & ILLUSTRATIONS NOT TO SCALE.

Printed in U.S.A. © 2016 Innovative Hearth Products  
P/N 900661-03 REV. NC 05/2016



Specifications and clearances are subject to change without notice. Refer to Installation Manual before installation of these appliances for updated dimensions and instructions.

Page 2 of 2