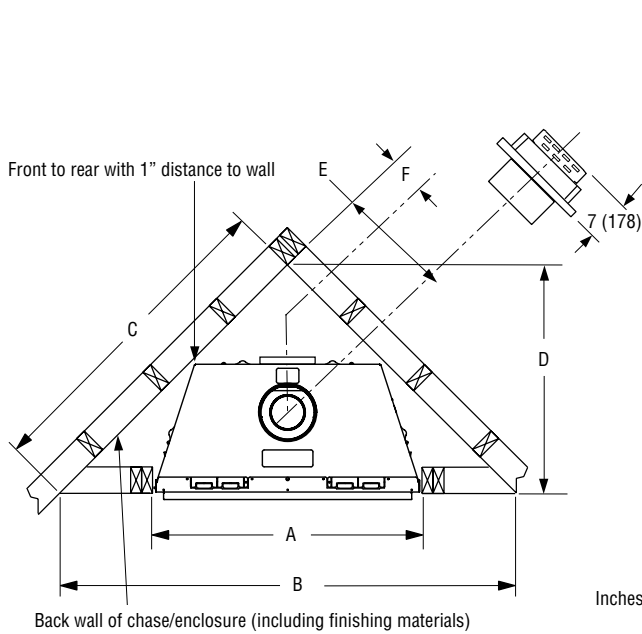


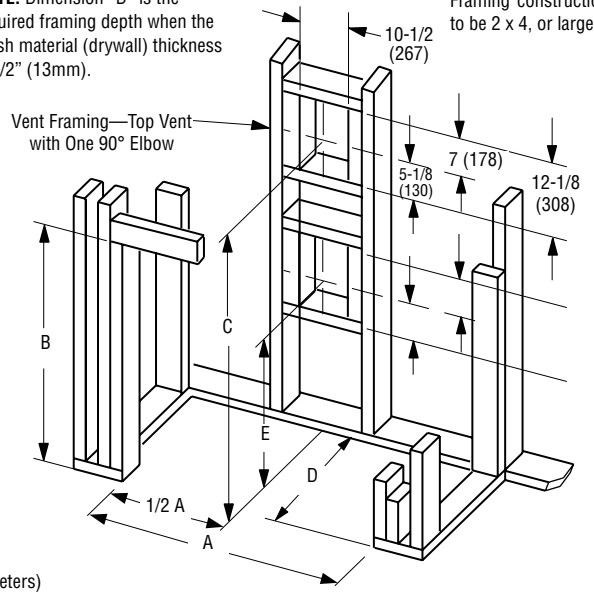
# SCORPIO™ SERIES

## DIRECT-VENT FIREPLACES

Framing Dimensions



**NOTE:** Dimension "D" is the required framing depth when the finish material (drywall) thickness is 1/2" (13mm).  
Framing construction to be 2 x 4, or larger.



C = Minimum height of top vent installations  
E = Minimum height of rear vent installations

Model	A	B	C	D	E	F
35" Models	35-3/8 (899)	59-1/2 (1511)	42-1/8 (1070)	30-1/4 (768)	14-1/4 (362)	6-5/8 (168)
40" Models	40-3/8 (1026)	63-7/8 (1622)	45-3/8 (1153)	33-1/4 (845)	15-7/8 (403)	8-1/2 (216)
45" Models	45-3/8 (1153)	70-3/8 (1788)	49-3/4 (1264)	35-1/4 (895)	17-1/2 (445)	10-1/4 (260)

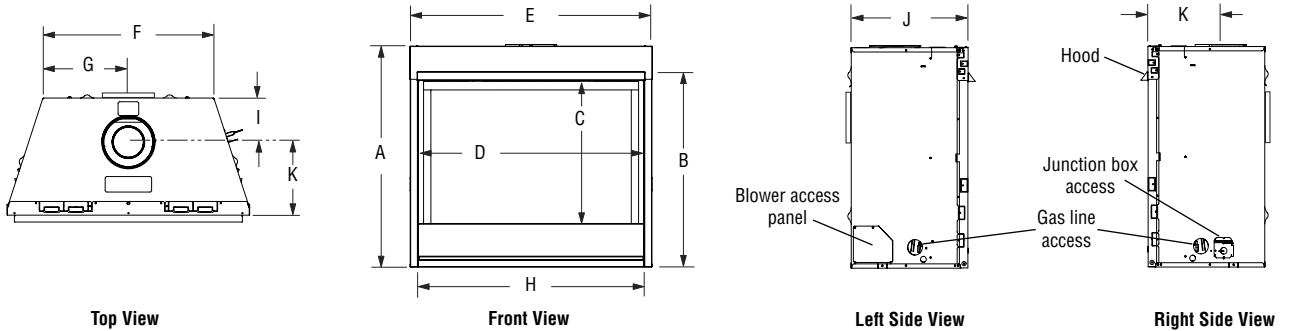
Model	A *	B	C	D	E
35" Models	35-3/8 (899)	36-1/4 (920)	38-3/4 (984)	18 (447)	23-3/8 (594)
40" Models	40-3/8 (1026)	41-1/4 (1148)	43-3/4 (1111)	18 (447)	28-1/4 (717)
45" Models	45-3/8 (1153)	41-1/4 (1148)	43-3/4 (1111)	18 (447)	28-1/4 (717)

\*Minimum opening size; additional 1/8" per side is recommended.

**NOTE:** Framing specifications do NOT apply for flexible venting. When using flexible venting, refer to the kit requirements for framing specifications.

**NOTE:** When finishing the area around the hood, 5/8" clearance above hood is required for hood installation.

Fireplace Dimensions



Model	A	B	C	D (door)	E	F	G	H	I	J	K
35" Models	32-1/8 (816)	28-3/4 (730)	22-1/4 (565)	32-3/8 (822)	35-1/4 (895)	25 (635)	12-1/2 (317)	32-7/8 (835)	6-7/8 (175)	17 (432)	10-1/8 (258)
40" Models	37-1/8 (943)	33-1/4 (845)	27-1/4 (692)	37-3/8 (949)	40-1/4 (1022)	30 (762)	15 (381)	37-7/8 (962)	6-7/8 (175)	17 (432)	10-1/8 (258)
45" Models	37-1/8 (943)	33-1/4 (845)	27-1/4 (692)	42-3/8 (1076)	45-1/4 (1149)	35 (889)	17-1/2 (445)	42-7/8 (1089)	6-7/8 (175)	17 (432)	10-1/8 (258)

NOTE: DIAGRAMS & ILLUSTRATIONS ARE NOT TO SCALE.

# SCORPIO™ SERIES

Product Information

Cat. No.	Model	Weight	Cu. Ft.
F2847	Scorpio35DEN-B	102 lb.	12.8
F2848	Scorpio35DEP-B	102 lb.	12.8
F2849	Scorpio40DEN-B	110 lb.	16.2
F2850	Scorpio40DEP-B	110 lb.	16.2
F2851	Scorpio45DEN-B	118 lb.	18.2
F2852	Scorpio45DEP-B	118 lb.	18.2

Cat. No.	Model	Weight	Cu. Ft.
F3009	ScorpioCD35DEN-B	102 lb.	12.8
F3010	ScorpioCD35DEP-B	102 lb.	12.8
F3011	ScorpioCD40DEN-B	110 lb.	16.2
F3012	ScorpioCD40DEP-B	110 lb.	16.2
F3013	ScorpioCD45DEN-B	118 lb.	18.2
F3014	ScorpioCD45DEP-B	118 lb.	18.2

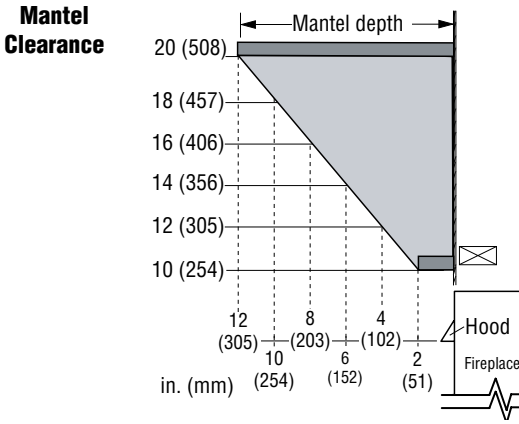
Listing Information



Report No. F13-094

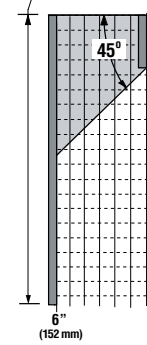
Listed by PFS Corporation to - ANSI Z21.88 (in Canada, CSA-2.33), and CAN/CGA-2.17-M91 in both USA and Canada, as a vented gas fireplace heater.

Clearances



## Side Wall Clearance

At 6" minimum side wall clearance, a combustible wall can project to any length.



## Top View of Fireplace

Combustible Materials Allowed In Shaded Area "Safe Zone"

Combustible Walls shown in dark gray

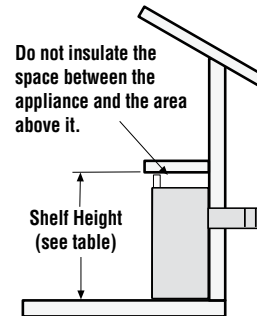
Combustible mantel legs may project beyond either side of the fireplace opening as long as they are kept within the shaded area illustrated here.

Shelf Height

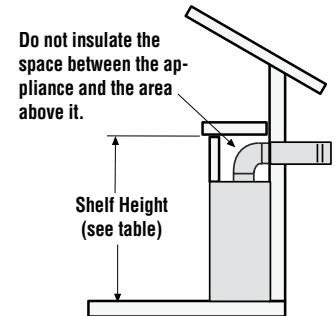
Model	Top Vent with one 90° Elbow		Alternative Rear Vent applications
	Secure Vent®	Secure Flex® (flex elbow)	Secure Vent®
35" Models	47" (1194 mm)*	49" (1245 mm)*	41" (1042 mm)**
40" Models	52" (1321 mm)*	54" (1372 mm)*	46" (1169 mm)**
45" Models	52" (1321 mm)*	54" (1372 mm)*	46" (1169 mm)**

\* Includes 3" clearance to combustibles (required above vent components)  
 \*\* In alternative, Rear Vent applications, Top Vent will be sealed as detailed in the Installation and Operation manual.

Specifications and clearances are subject to change without notice. Refer to Installation and Operation Manual before installation of these appliances for updated dimensions and instructions.

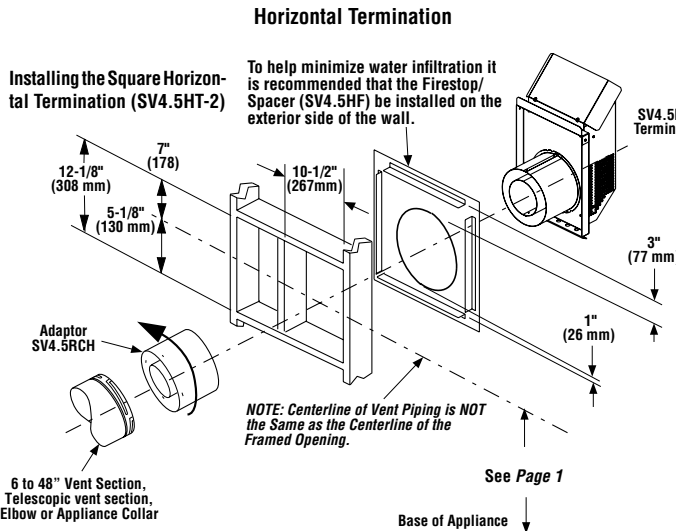


Shelf Above Fireplace With Rear Venting



Shelf Above Fireplace With Top Venting

Venting



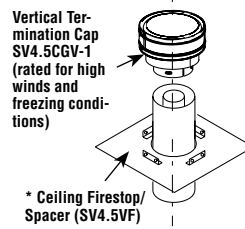
## Installing the Square Horizontal Termination (SV4.5HT-2)

To help minimize water infiltration it is recommended that the Firestop/Spacer (SV4.5HF) be installed on the exterior side of the wall.

NOTE: Centerline of Vent Piping is NOT the Same as the Centerline of the Framed Opening.

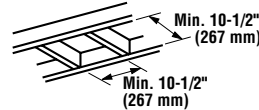
See Page 1

## Vertical Termination



\* Ceiling Firestop/Spacer (SV4.5VF)

## Roof Framing



Uses 4.5" / 7.5" Secure Vent® Rigid and Secure Flex® Direct-Vent Components

## Typical Installations

