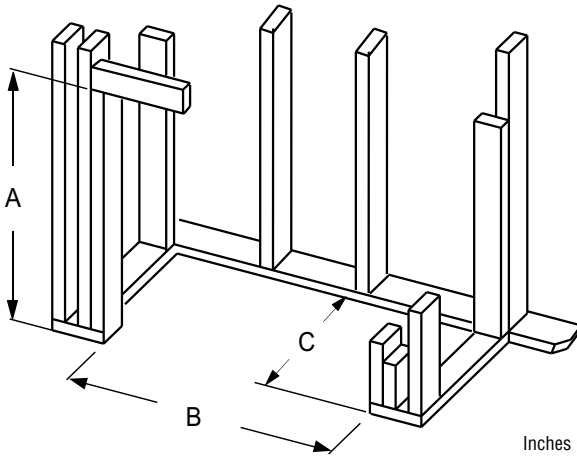


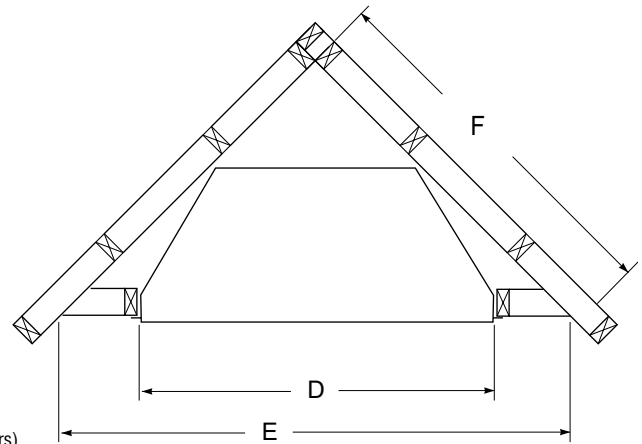
ODYSSEY™ 36/42 SERIES

OUTDOOR VENT-FREE GAS FIREPLACE

Framing Dimensions



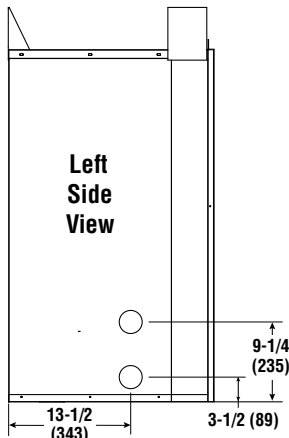
Inches (millimeters)



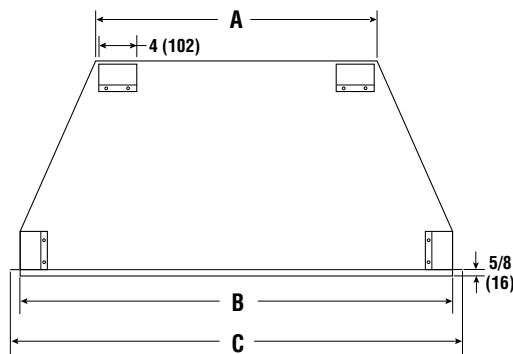
Models	A	B	C
36 Models	42-3/4 (1086)	44 (1118)	21 (534)
42 Models	46-1/2 (1181)	51 (1296)	23 (585)

Models	D	E	F
36 Models	44 (1118)	74 (1880)	52 (1321)
42 Models	51 (1296)	86 (2185)	61 (1550)

Fireplace Dimensions

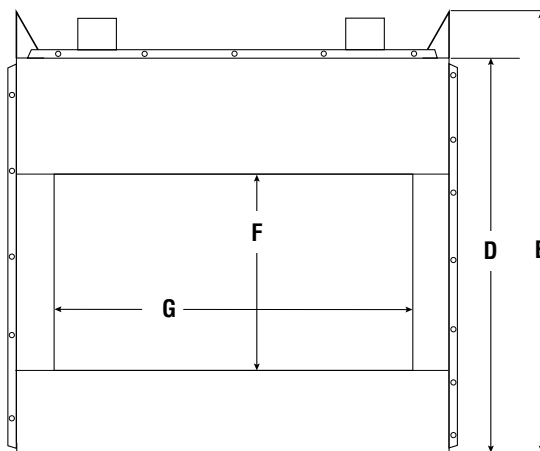
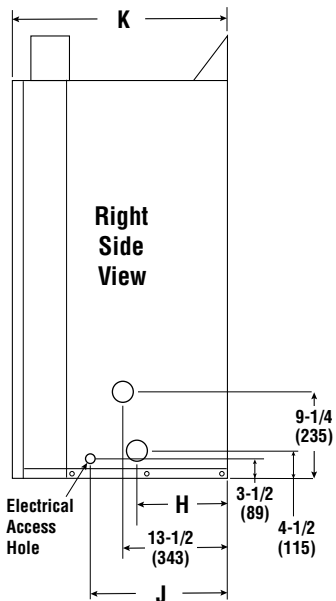


Fireplace Top View



	36 Model	42 Model
A	29 (737)	36 (915)
B	41 (1042)	48 (1220)
C	43 (1093)	50 (1270)
D	37 (940)	41 (1042)
E	41 (1042)	45 (1143)
F	21 (534)	24 (610)
G	35 (889)	42 (1067)
H	10-1/2 (267)	10-1/4 (261)
J	14-1/2 (369)	16-1/2 (419)
K	21 (534)	23 (584)

Inches (millimeters)



Front View

Diagrams, illustrations and photographs are not to scale. Consult installation instructions. Product designs, materials, dimensions, specifications, colors, and prices are subject to change or discontinuance without notice.

NOTE: DIAGRAMS & ILLUSTRATIONS ARE NOT TO SCALE.

ODYSSEY™ 36/42 SERIES

OUTDOOR VENT-FREE GAS FIREPLACE

Product Information

Cat. No.	Model	Liner	Weight	Cu. Ft.
F0584	Odyssey36ZNM	WS	237 lb.	23.4
F0585	Odyssey36ZPM	WS	237 lb.	23.4
F0586	Odyssey36ZNM	WH	237 lb.	23.4
F0587	Odyssey36ZPM	WH	237 lb.	23.4

Cat. No.	Model	Liner	Weight	Cu. Ft.
F0592	Odyssey42ZNM	WS	312 lb.	34.3
F0593	Odyssey42ZPM	WS	312 lb.	34.3
F0594	Odyssey42ZNM	WH	312 lb.	34.3
F0595	Odyssey42ZPM	WH	312 lb.	34.3

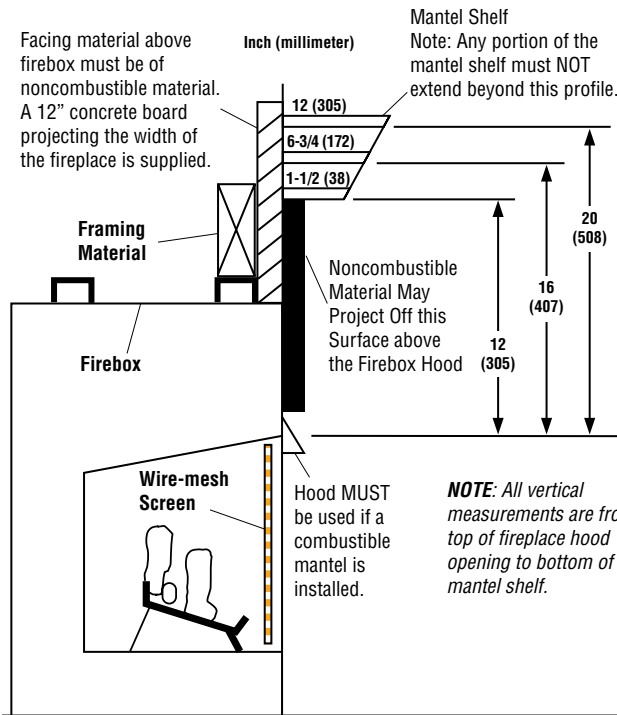
Listing Information



Report No. F09-026

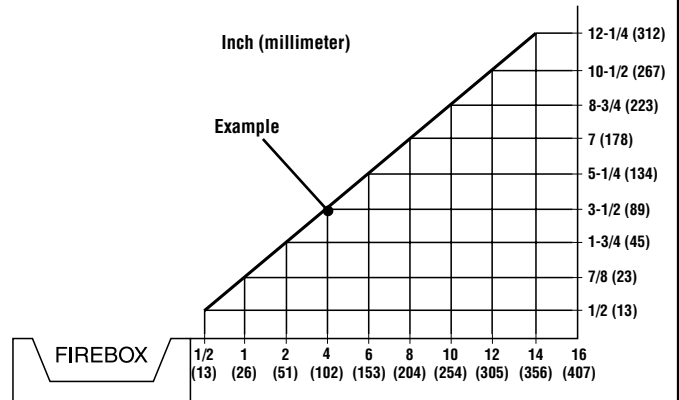
These appliances comply with National Safety Standards and are listed by PFS Corporation to ANSI Z21.97 / CSA 2.41 as Outdoor Decorative Gas Appliances.

Clearances

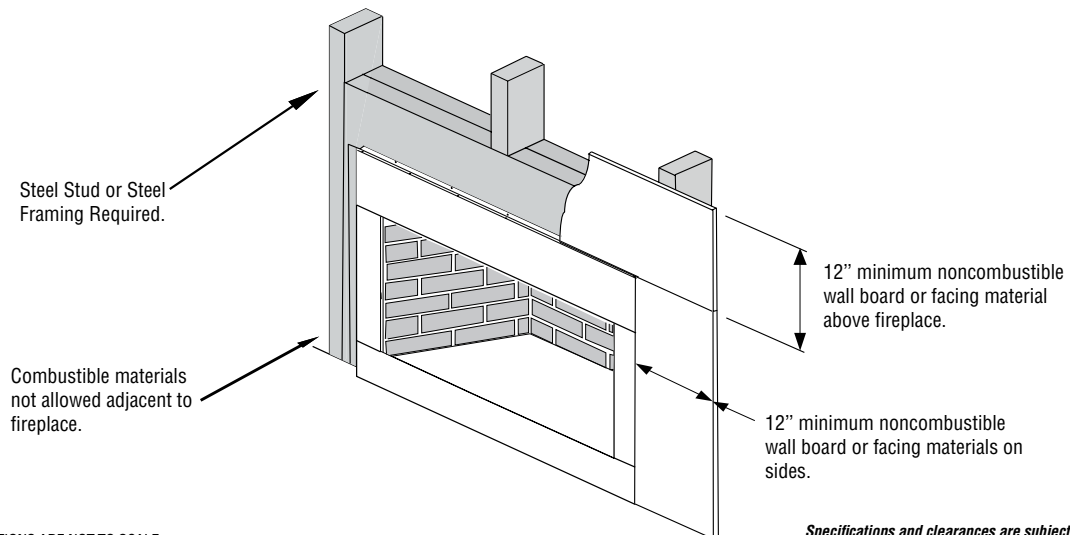


Minimum Wall and Ceiling Clearances (see figure below)

- Clearances from the side of the fireplace cabinet to any combustible material and wall should follow diagram shown here.
Example: The face of a mantel, bookshelf, etc. is made of combustible material and protrudes 3-1/2" from the wall. This combustible material must be 4" from the side of the fireplace cabinet.
- Clearances from the top of the firebox opening to the ceiling should not be less than 42".
- When the firebox is installed directly on carpeting, vinyl tile or other combustible material, other than wood flooring, the firebox should be installed on a metal or wood panel extending the full width and depth of the enclosure.
- Clearances from the bottom of firebox to the floor is 0".



Facing



NOTE: DIAGRAMS & ILLUSTRATIONS ARE NOT TO SCALE.

Printed in U.S.A. © 2016 Innovative Hearth Products
P/N 900698-00 REV. B 10/2017

Specifications and clearances are subject to change without notice. Refer to Installation Manual before installation of these appliances for updated dimensions and instructions.

Page 2 of 2

