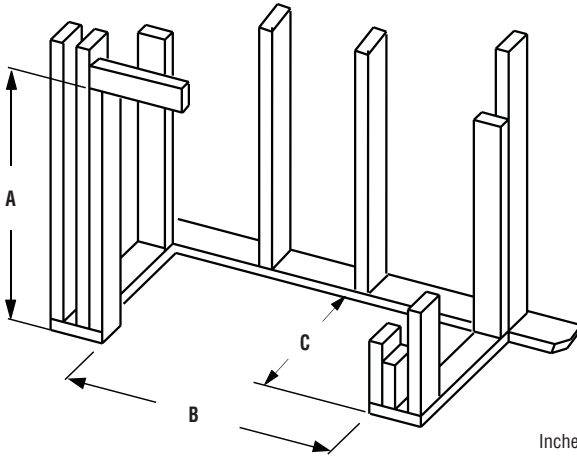


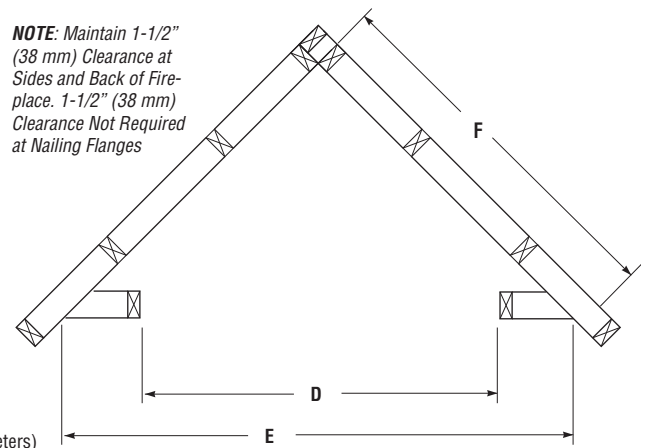
# VENETIAN™ 36/42/50 SERIES

## OUTDOOR VENT-FREE GAS FIREPLACE

Framing Dimensions



Inches (millimeters)

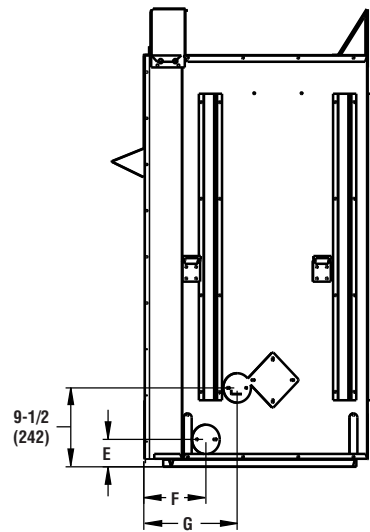
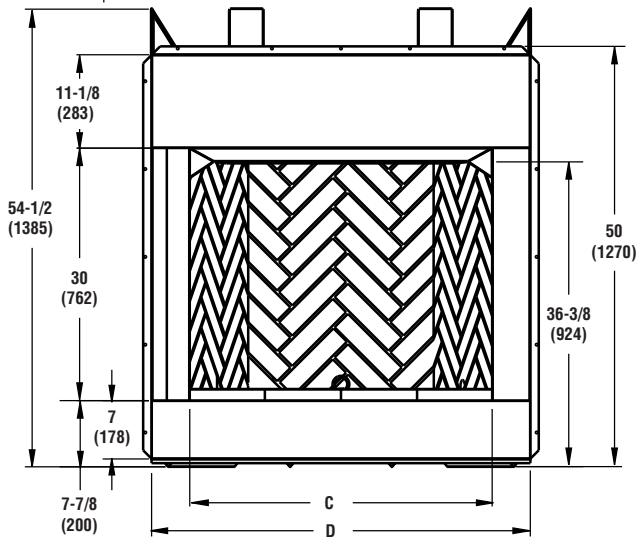
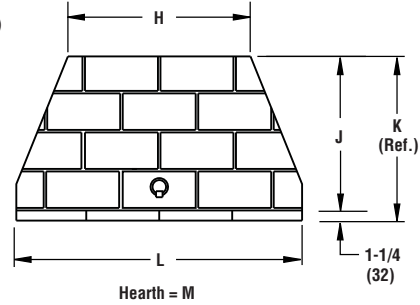
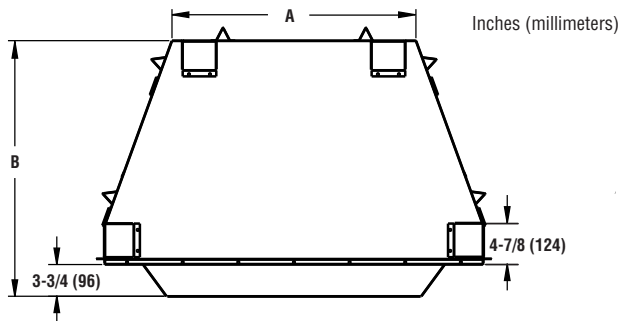


**NOTE:** Maintain 1-1/2" (38 mm) Clearance at Sides and Back of Fireplace. 1-1/2" (38 mm) Clearance Not Required at Nailing Flanges

Models	A	B	C
36"	54-5/8 (1388)	45-3/8 (1153)	28-1/4 (718)
42"	54-5/8 (1388)	51-3/8 (1305)	30-1/8 (766)
50"	54-5/8 (1388)	59-3/8 (1509)	30-1/8 (766)

Models	D	E	F
36"	45-3/8 (1153)	86-1/2 (2197)	61 (1550)
42"	51-3/8 (1305)	92 (2337)	65 (1651)
50"	59-3/8 (1509)	100 (2540)	71 (1804)

Fireplace Dimensions



Diagrams, illustrations and photographs are not to scale. Consult installation instructions. Product designs, materials, dimensions, specifications, colors, and prices are subject to change or discontinuance without notice.

Models	A	B	C	D	E	F	G	H	J	K	L	M
36"	29 (737)	30-1/2 (775)	36 (915)	45-1/8 (1146)	3-3/8 (86)	7-3/8 (188)	11-1/8 (283)	22-1/2 (572)	19 (483)	20-1/4 (515)	35-1/4 (896)	36" (915)
42"	30-3/8 (772)	32-3/8 (823)	42 (1067)	51-1/8 (1299)	3-3/8 (86)	8-3/4 (223)	13 (331)	26-3/8 (670)	21-3/4 (553)	23 (585)	41-3/8 (1051)	42 (1067)
50"	38-3/8 (795)	32-3/8 (823)	50 (1270)	59-1/8 (1502)	3-3/8 (86)	8-3/4 (223)	13 (331)	34-3/8 (873)	21-3/4 (553)	23 (585)	49-3/8 (1254)	50 (1270)

# VENETIAN™ 36/42/50 SERIES

## OUTDOOR VENT-FREE GAS FIREPLACE

Product Information

Cat. No.	Model	Weight	Cu. Ft.
F0546	Venetian 36	446 lb.	109.1
F0547	Venetian 42	529 lb.	109.1
F0548	Venetian 50	620 lb.	109.1

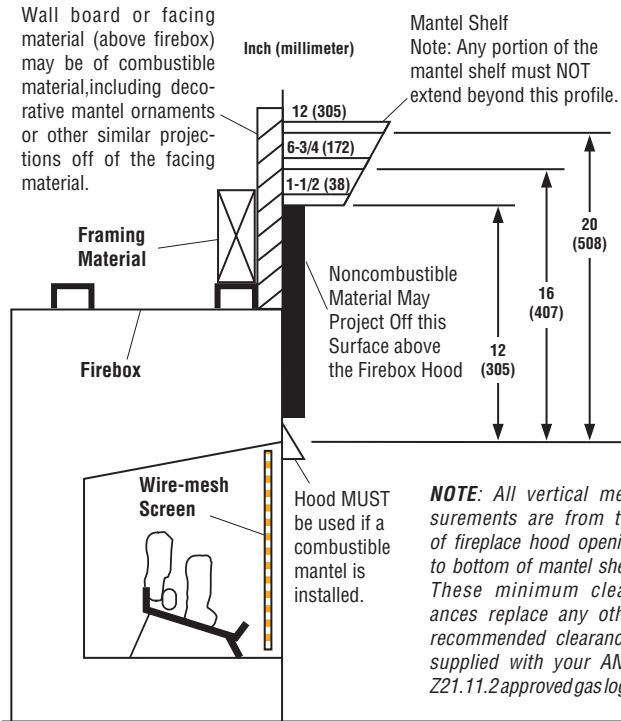
Listing Information



Report No. F09-130

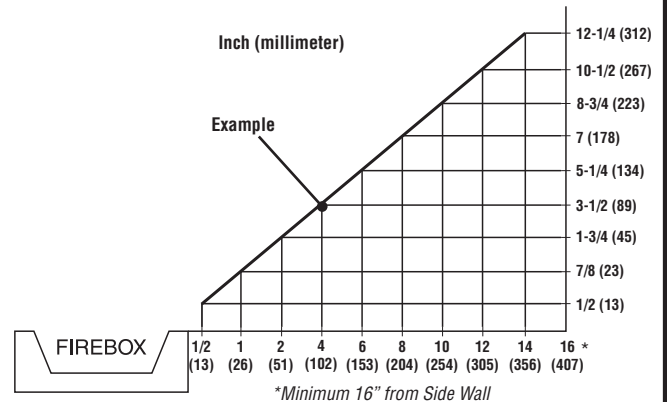
These appliances comply with National Safety Standards and are listed by PFS Corporation to ANSI Z21.91 Ventless Firebox Enclosures for Gas-Fired Unvented Decorative Room Heaters.

Clearances

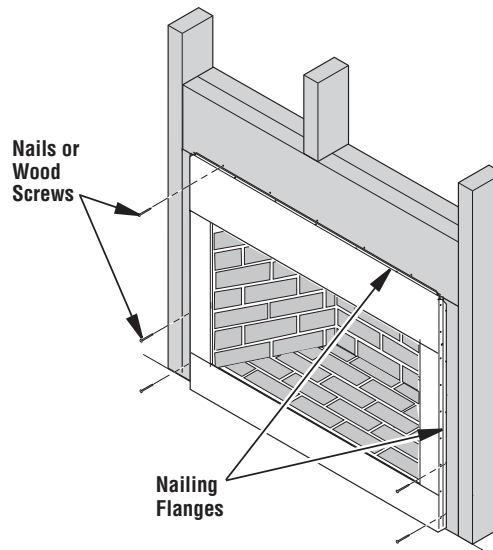


### Minimum Wall and Ceiling Clearances (see figure below)

- Clearances from the side of the fireplace cabinet to any combustible material and wall should follow diagram shown here.  
Example: The face of a mantel, bookshelf, etc. is made of combustible material and protrudes 3-1/2" from the wall. This combustible material must be 4" from the side of the fireplace cabinet.
- Clearances from the top of the firebox opening to the ceiling should not be less than 42".
- When the firebox is installed directly on carpeting, vinyl tile or other combustible material, other than wood flooring, the firebox should be installed on a metal or wood panel extending the full width and depth of the enclosure.
- Clearances from the bottom of firebox to the floor is 0".



Nailing Flanges



NOTE: DIAGRAMS & ILLUSTRATIONS ARE NOT TO SCALE.

Printed in U.S.A. © 2016 Innovative Hearth Products  
P/N 900700-00 REV. NC 05/2016

Specifications and clearances are subject to change without notice. Refer to Installation Manual before installation of these appliances for updated dimensions and instructions.

Page 2 of 2