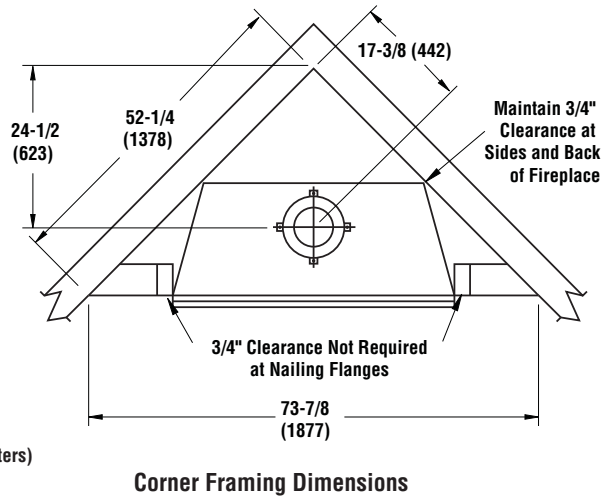
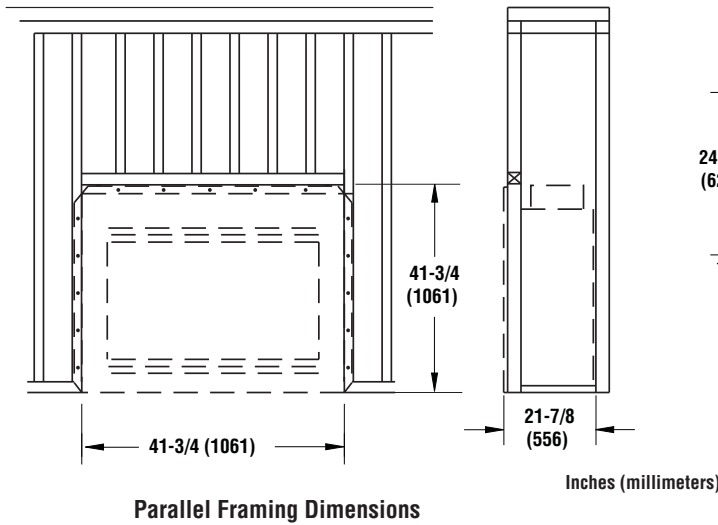


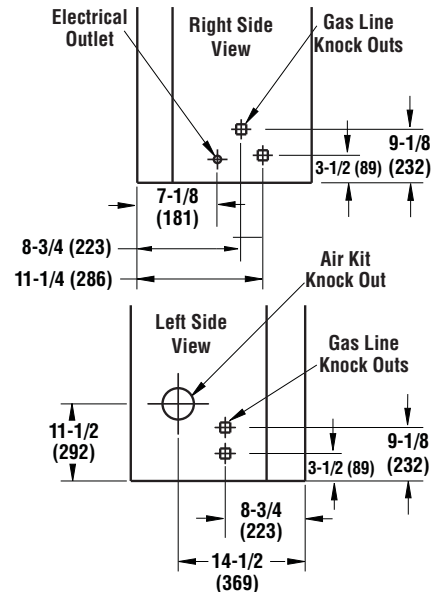
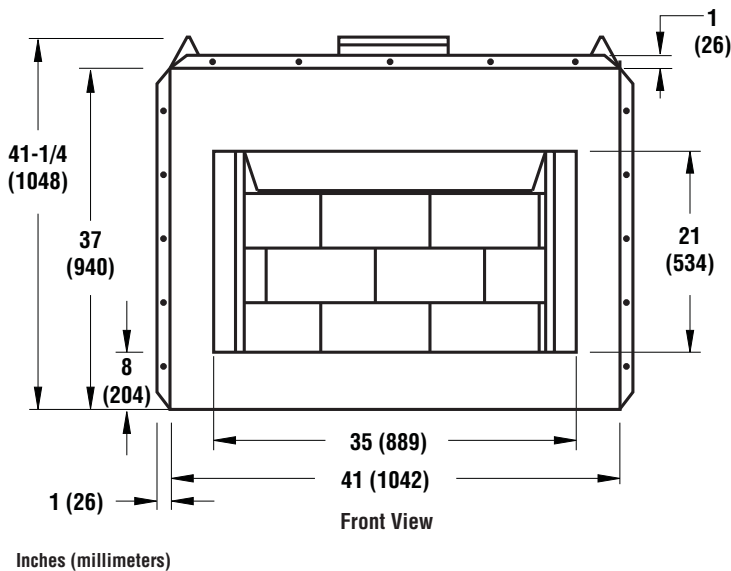
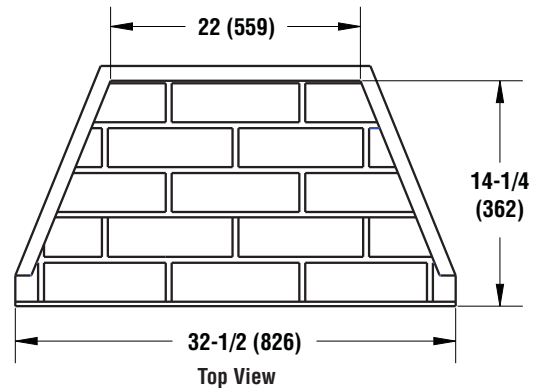
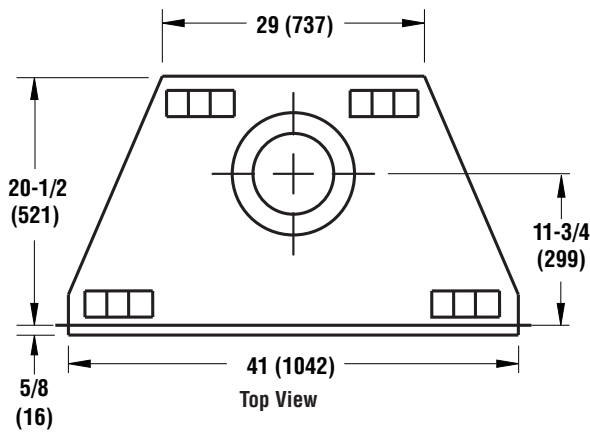
TUSCAN™ 36 SERIES

RESIDENTIAL AND OUTDOOR WOOD-BURNING FIREPLACES

Framing Dimensions



Fireplace Dimensions



NOTE: DIAGRAMS & ILLUSTRATIONS ARE NOT TO SCALE.

TUSCAN™ 36 SERIES

Product Information

Product Reference Information			
Cat. No.	Model	Shipping Weight	Shipping Volume
F0544	TuscanCat36P2	189 lb.	23.8 cu. ft.
F0545	TuscanCat36P3	189 lb.	23.8 cu. ft.
F0540	Tuscan36P2	184 lb.	23.8 cu. ft.
F0541	Tuscan36P3	184 lb.	23.8 cu. ft.
F0542	Tuscan42P2	224 lb.	32 cu. ft.
F0543	Tuscan42P3	224 lb.	32 cu. ft.

Listing Information



Report No. 10-078

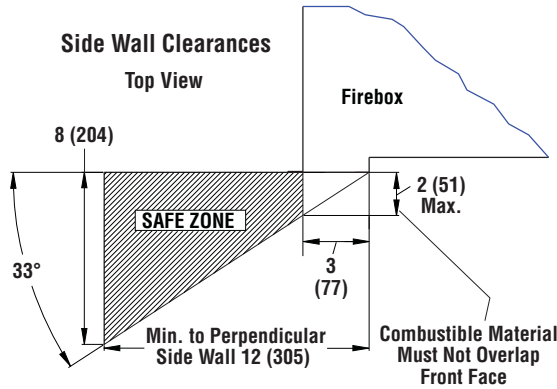
This firebox has been tested and approved by PFS Corporation under UL127/ ULC-S610 standard as a Factory Built Appliance and may be used with gas logs approved to ANSI Z21.60, Z21.84 or Z21.11.2 standards.

Clearances

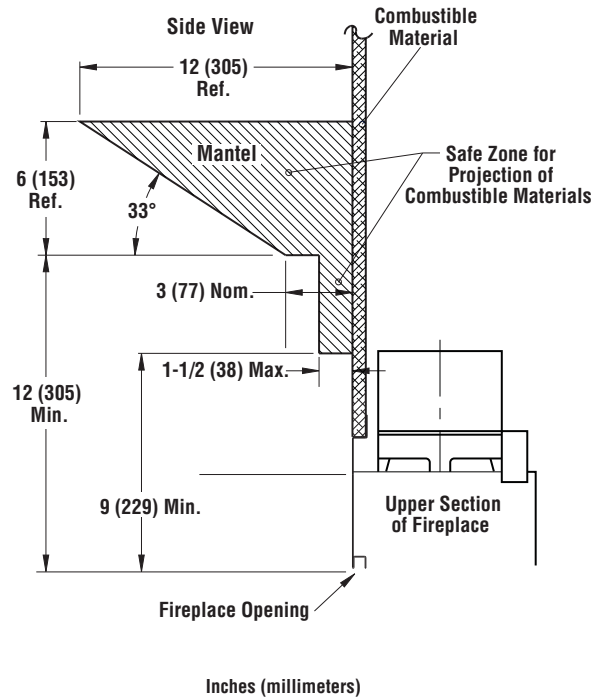
Clearances to Combustibles	
Description	Min. Clearance
Ceiling	40 (1016)
Back and sides of fireplace	3/4 (19)*
Floor	0 (0)**
Perpendicular wall to opening	12 (305)
Top spacers	0 (0)
Chimney outer pipe surface	1 (26)

* Not required at nailing flanges

** See step 2 of Framing in the Installation and Operation Manual



Mantel Clearances



Venting

Venting
Uses 8" Standard Wood-Burning Chimney (8DM) - USA
Uses 8" Hi-Temp Wood-Burning Chimney (8HT)- Canada

