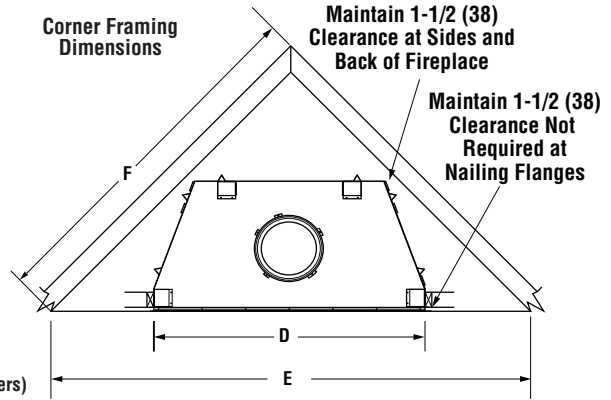
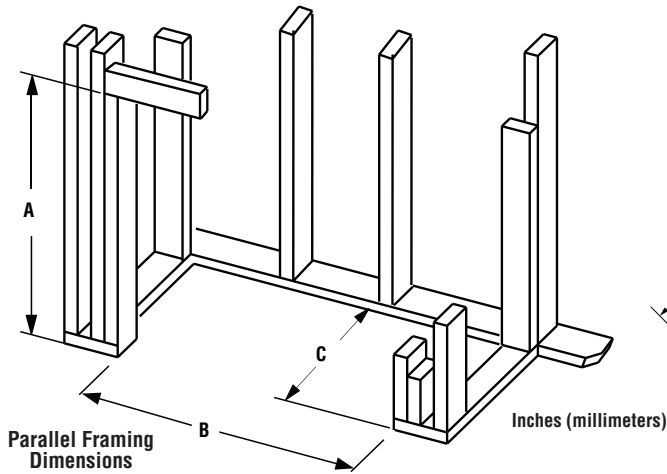


# PLANTATION™ SERIES

## RESIDENTIAL WOOD-BURNING FIREPLACES

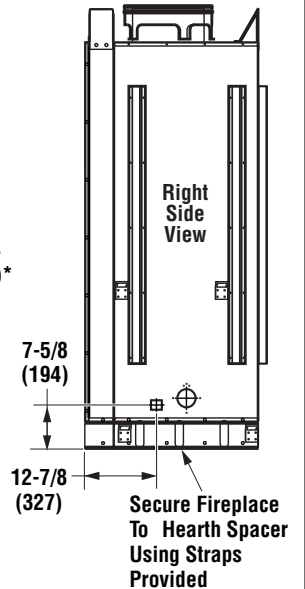
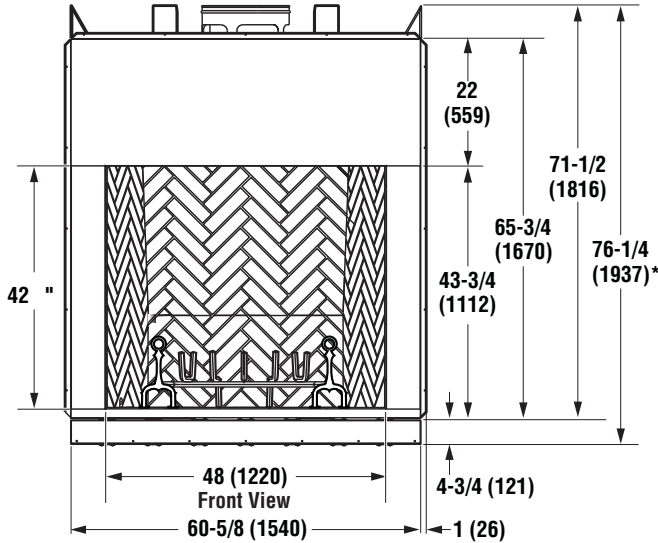
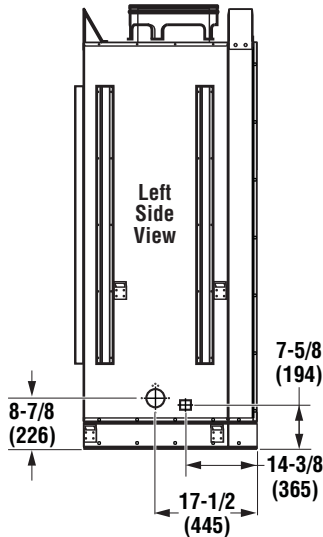
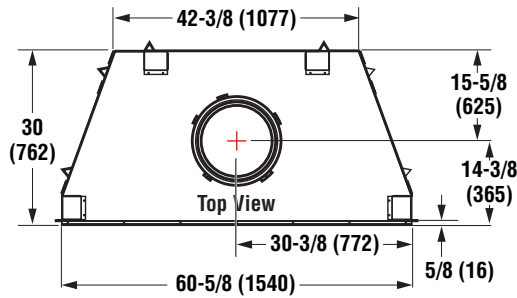
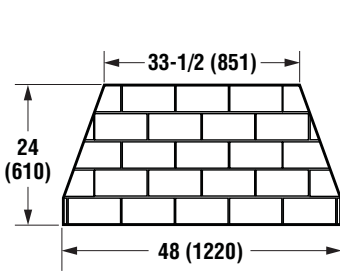
Framing Dimensions



	Plantation Series
A	76-3/8 (1940)
B	60-7/8 (1547)
C	31-5/8 (804)

	Plantation Series
D	60-7/8 (1547)
E	107-3/8 (2728)
F	78-7/8 (2004)

Fireplace Dimensions



\*With Hearth Spacer

Inches (millimeters)

# PLANTATION™ SERIES

Product Info

Product Reference Information				
Cat. No.	Model	Interior	Shipping Weight	Shipping Volume
F0691	Plantation48M3	Warm Red Split Herringbone	917 lb.	139.8 cu. ft.
F0692	Plantation48M3	Ivory Split Herringbone	917 lb.	139.8 cu. ft.

Listing



These fireplaces have been tested and approved by PFS Corporation under UL127/ULC-S610 standard as a Factory Built Appliance and may be used with gas logs approved to ANSI Z21.60, Z21.84 or Z21.11.2 standards.

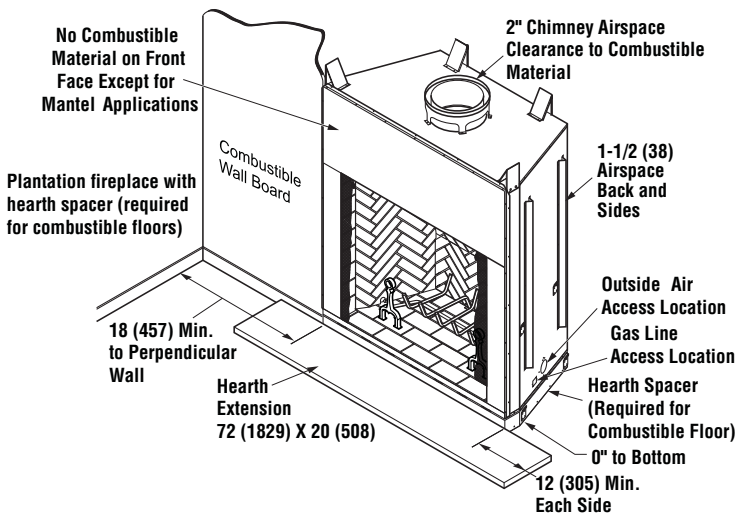
## Clearances to Combustibles

Description	Min. Clearance
Back and sides of fireplace	1-1/2 (38)*
Front of fireplace	48 (1220)
Floor	0 (0)**
Perpendicular wall to opening	18 (458)
Top spacers	0 (0)
Chimney outer pipe surface	2 (51)

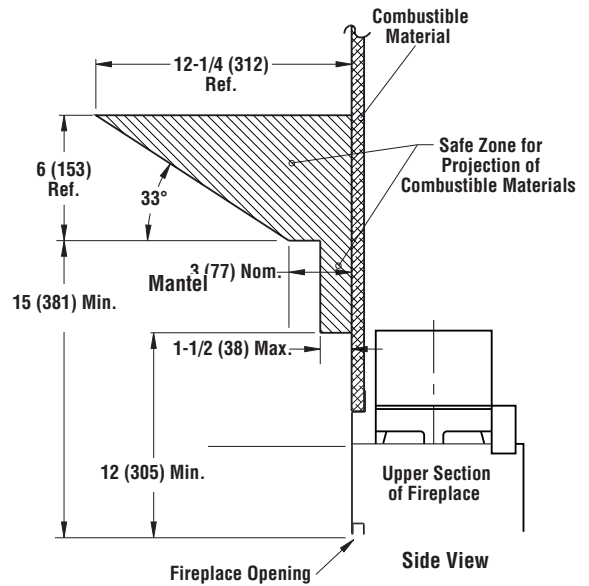
\* Not required at nailing flanges

\*\* See step 2 of Framing in the Installation and Operation Manual

Clearances



## Mantel Clearances



Inches (millimeters)

Venting

**Venting**  
 Uses Standard (12DM) and Hi-Temp (12HT) Wood-Burning Chimney and Hi-Temp (12HT) Wood-Burning Chimney

