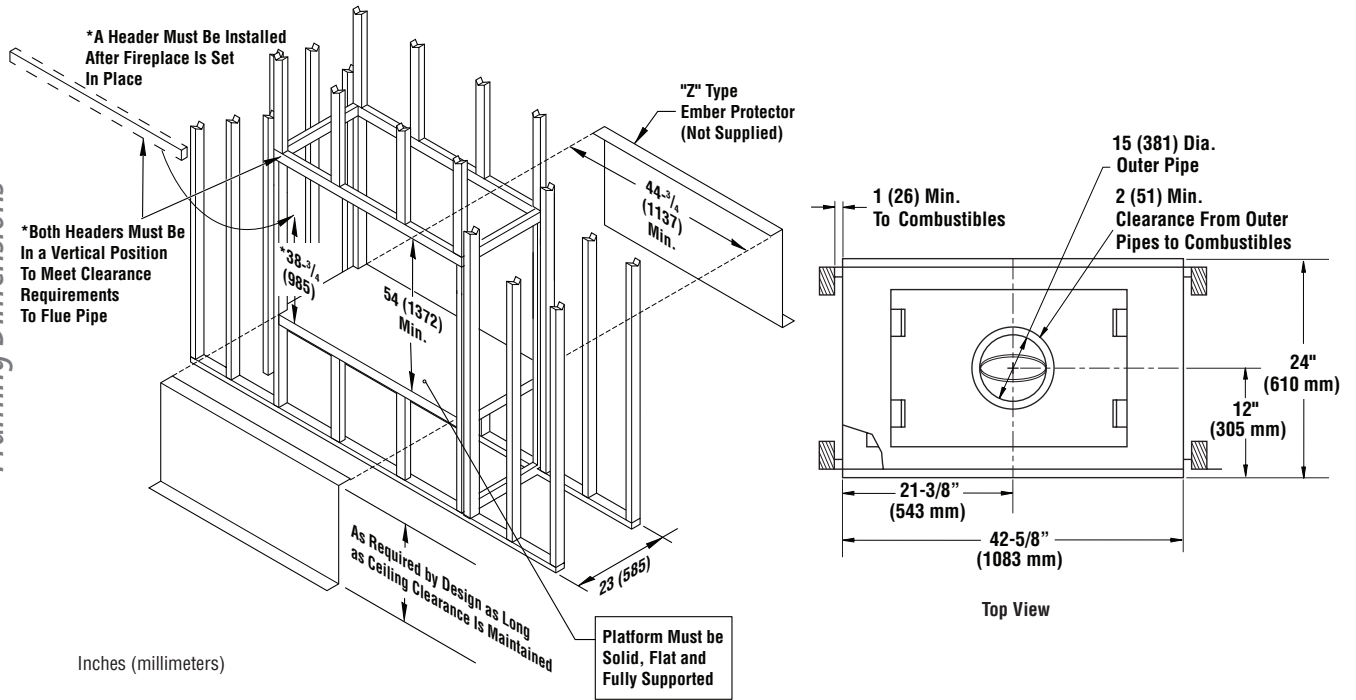


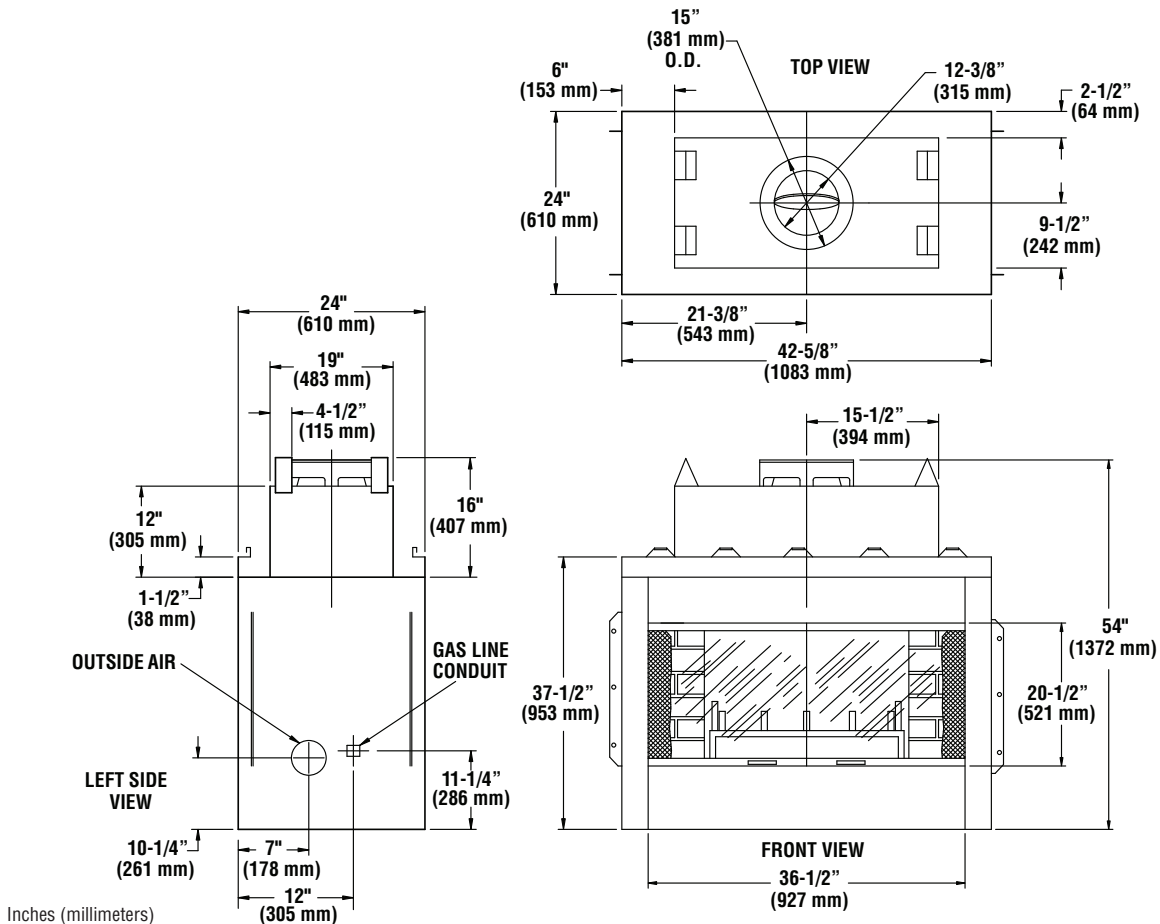
WINDSOR™ STP2

SEE-THRU WOOD-BURNING FIREPLACES

Framing Dimensions



Fireplace Dimensions



WINDSOR™ STP2

Product Info

Product Reference Information					
Cat. No.	Model	Desc.	Interior	Shipping Weight	Shipping Volume
F0703	WindsorSTP2	Radiant	WS	225 lb.	39.6 cu. ft.

Listing



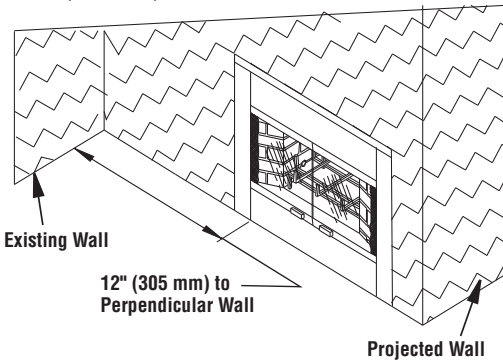
Report No. 09-146

This fireplace has been tested and approved by PFS Corporation under UL127/ULC-S610 standard as a Factory Built Appliance and may be used with gas logs approved to ANSI Z21.60, Z21.84 or Z21.11.2 standards.

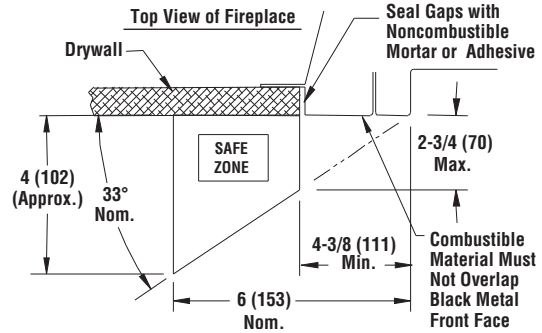
Clearances

Clearances to Combustibles	
Description	Min. Clearance
Back and sides of fireplace	1 (26)*
Adjacent wall	12 (305)
Chimney outer pipe surfaces	2 (51)
Bottom of fireplace to floor	0 (0)

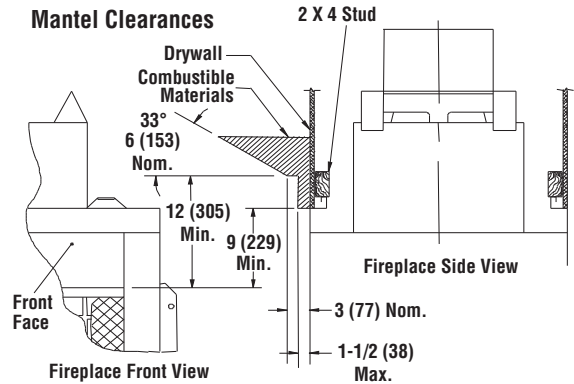
* Not required at nailing flanges
Inches (millimeters)



Clearances to Metal Face

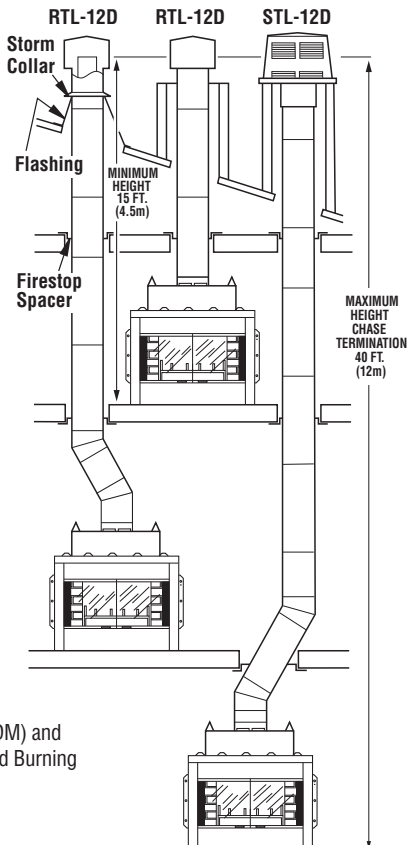


Mantel Clearances



Venting

Chimney Height Max.



Venting

Uses Standard (12DM) and Hi-Temp (12HT) Wood Burning Chimney.

Typical Offset Installations

