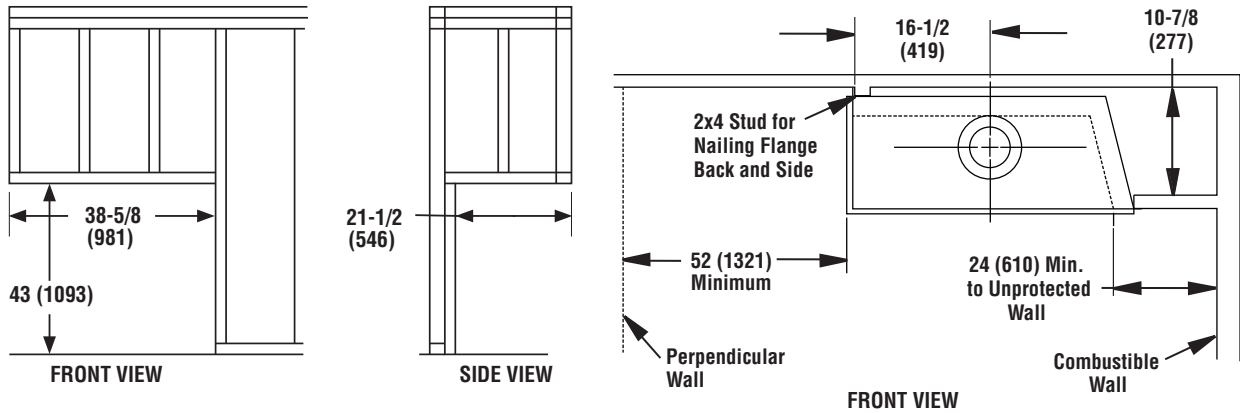


# INGLENOOK™ CR/CL SERIES

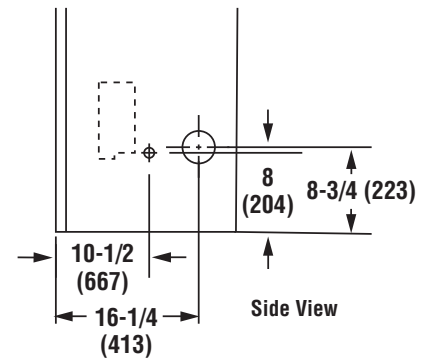
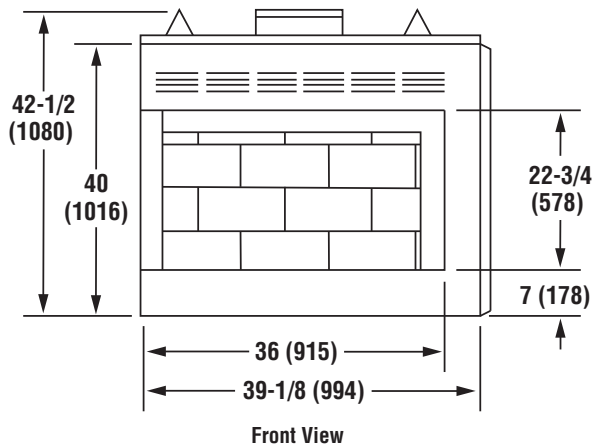
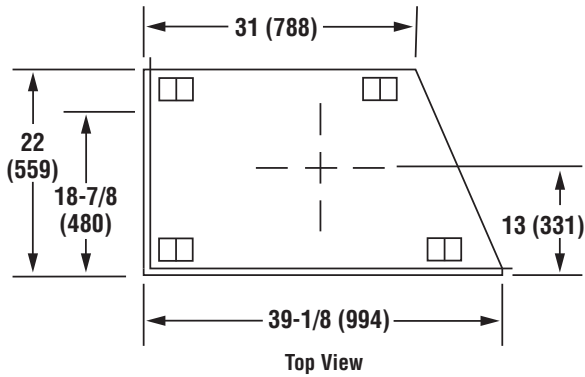
## CORNER-VIEW WOOD-BURNING FIREPLACES

Framing Dimensions



Inches (millimeters)

Fireplace Dimensions



Inches (millimeters)

# INGLENOOK™ CR/CL SERIES

Product Info

Product Reference Information					
Cat. No.	Model	Desc.	Interior	Shipping Weight	Shipping Volume
F0698	InglenookCRP2	Radiant	WS	192 lb.	23.7 cu. ft.
F0699	InglenookCLP2	Radiant	WS	192 lb.	23.7 cu. ft.
F0700	InglenookCRP2	Louver	WS	192 lb.	23.7 cu. ft.
F0701	InglenookCLP2	Louver	WS	192 lb.	23.7 cu. ft.

Listing

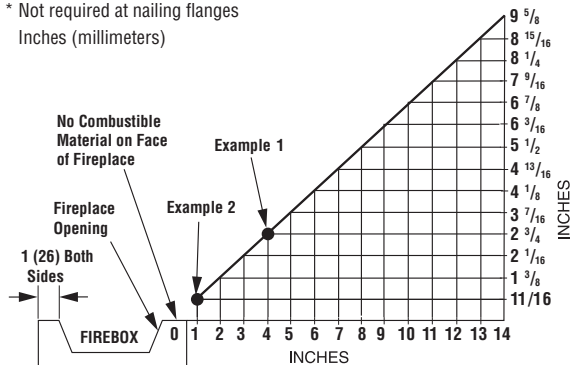


This fireplace has been tested and approved by PFS Corporation under UL127/ULC-S610 standard as a Factory Built Appliance and may be used with gas logs approved to ANSI Z21.60, Z21.84 or Z21.11.2 standards.

Clearances

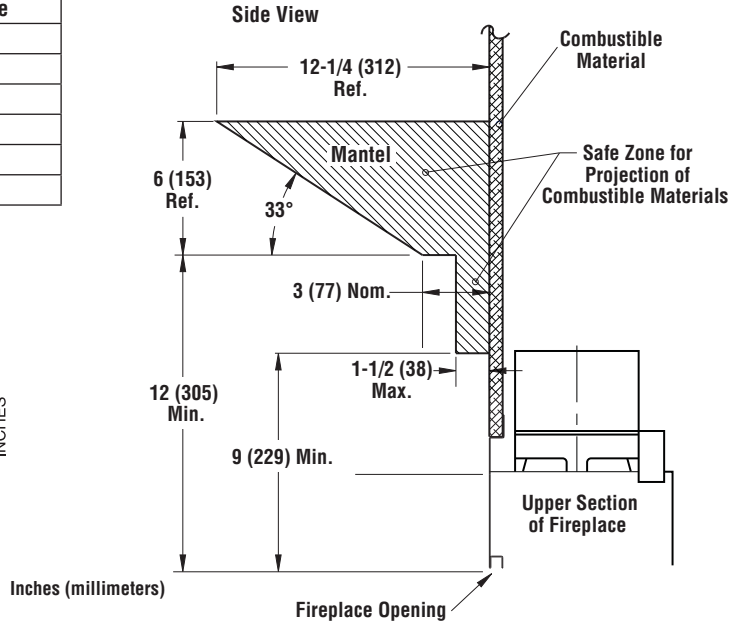
Clearances to Combustibles	
Description	Min. Clearance
Back and sides of fireplace	3/4 (19)*
Top spacers	0 (0)
Perpendicular side wall to opening of unit	24 (610)
Bottom of fireplace to floor	0 (0)
Chimney outer pipe surfaces	2 (51)
Chase inside dimension	16-1/2 (419)

\* Not required at nailing flanges  
Inches (millimeters)



Minimum 24 (610) from Perpendicular Side Wall

## Mantel Clearances



**Example 1:** The face of a mantel, bookshelf, etc. is made of combustible material and protrudes 2-3/4" (70 mm) from the wall on which the fireplace is installed. The combustible material must be a minimum of 4" (102 mm) from side of fireplace opening.

**Example 2:** The face of a mantel, bookshelf, etc. is made of combustible material and protrudes 11-1/16" (18 mm) from the wall on which the fireplace is installed. The combustible material can butt up against side of fireplace (i.e. 1" [26 mm] from fireplace opening).

Venting

**Venting**  
Uses Standard (8DM) and Hi-Temp (8HT) Wood-Burning Chimney.

