

MONTECITO ESTATE

EPA WOOD BURNING FIREPLACES



astria
FIREPLACES®

Traditional
Fireplace
Design Collection





SHOW YOURSELF IN

Create a room that begs you to stick
around, *sit down and relax.*

*FEATURED Montecito Estate with White Stacked
Textured Panels, Smooth Steel Facade and Doors*



FEATURED Montecito Estate with White Stacked Textured Panels and Smooth Facade and Doors

EXCLUSIVE FEATURES

- ◆ Circulating design features facade, arch doors and ceramic glass for optimum heat transfer
- ◆ EPA Phase III certified wood heater and Washington State approved fireplace
- ◆ Spacious 4.0 cubic foot insulated firebox that accepts up to 30" log size for increased performance
- ◆ Steel double doors with heat resistant door handles that stay cool to the touch
- ◆ White stacked textured refractory panels with integrated ash lip and decorative cast iron log retainer
- ◆ Catalytic combustor for maximum performance
- ◆ Bypass control: Greater airflow during startup for faster wood ignition and no smoke spillage when reloading
- ◆ Includes insulated outside air kit (required for use)
- ◆ 70% Thermal efficiency and heats up to 2,500 square feet*
- ◆ Efficient air wash system that keeps glass clean
- ◆ Includes heat activated 350 CFM variable speed blower for time-delayed heat distribution
- ◆ Double duct gravity kit and/or thermostatically controlled forced air kit available (three maximum outlets)
- ◆ Durable high temperature paint finish
- ◆ Uses SCIL (ACBI) 7" air cooled wood burning chimney
- ◆ Uses SCIL (S-2100 / HT6000) 7" diameter – 2" thick insulated wood burning chimney
- ◆ Limited Lifetime Warranty

*Results obtained by burning 25 lbs. of dry maple wood. (one hour pre-heating)

INTERIOR (STANDARD)



White Stacked Textured Panels

DOORS (REQUIRED)



Hammered-Steel



Smooth

FACADE (REQUIRED)



Hammered-Steel



Smooth

ADDITIONAL OPTIONS

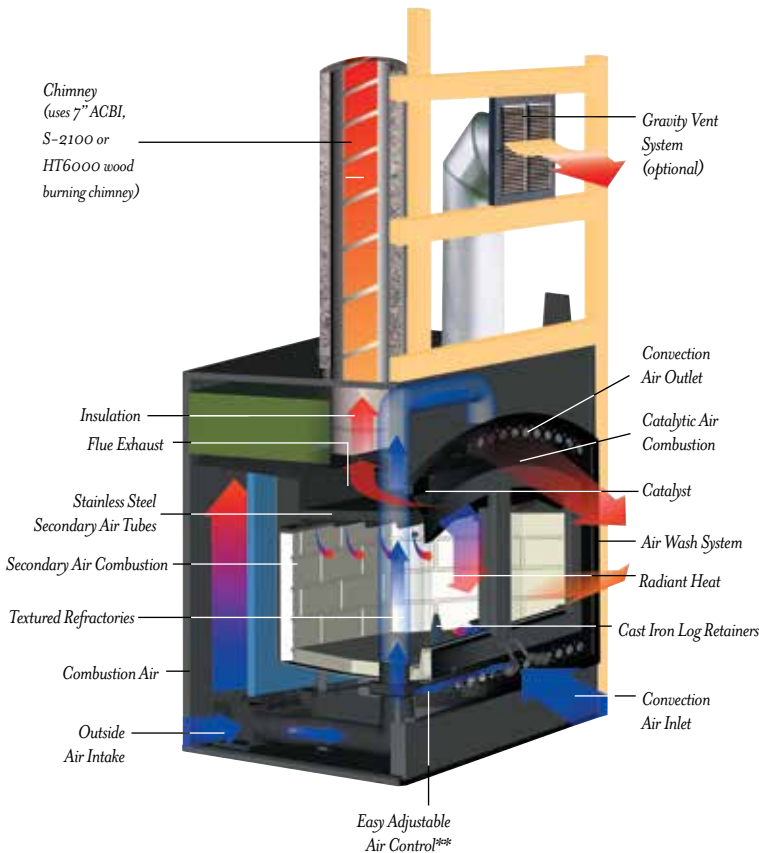
Hammered Steel or Smooth Doors (One Required)

Hammered Steel or Smooth Facade (One Required)

Double Duct Gravity Kit

Forced Air Kit

ENGINEERING FEATURES AND SPECIFICATIONS



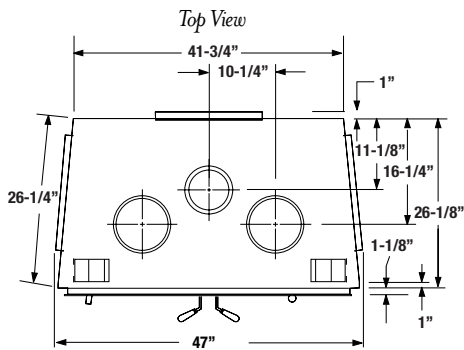
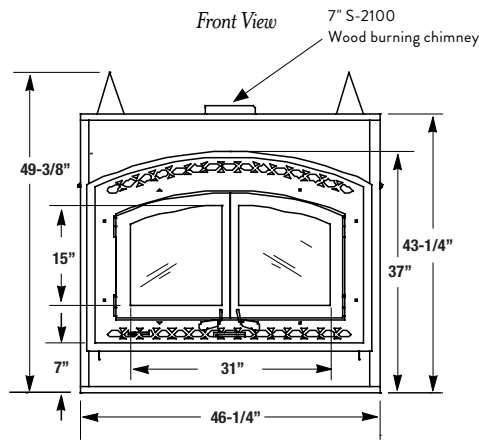
“The generous capacity of the 4.0 cubic foot firebox, combined with innovative controllable combustion, allows you to dial in extended burn times and fine tune your comfort levels.”

MULTI-ROOM HEATING OPTIONS

The Montecito Estate wood burning fireplace can heat multiple rooms within your home with our gravity vent kit option. Through natural convection or with the aid of the heat-circulating fan, warm air can be directed up to 10 feet away into one or two adjacent rooms, giving you the flexibility to heat up to three areas. Heat the family room with the fireplace, and the dining room and upstairs bedroom with the gravity vent kit. You can also choose to more efficiently heat a large space by directing heat through multiple vents.

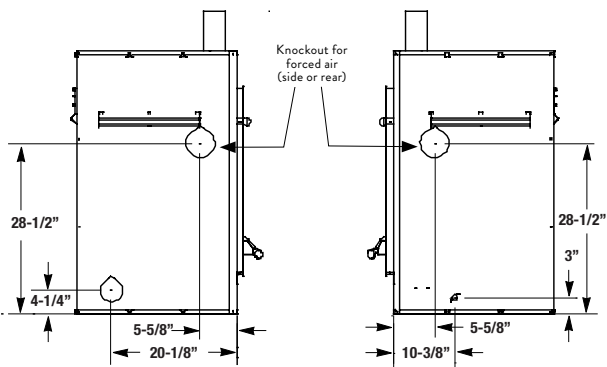
** Air-cooled chimney not recommended for use at elevations above 4,000 feet or in climates where temperatures will fall below 32° Fahrenheit (0° Celsius).

APPLIANCE SPECIFICATIONS

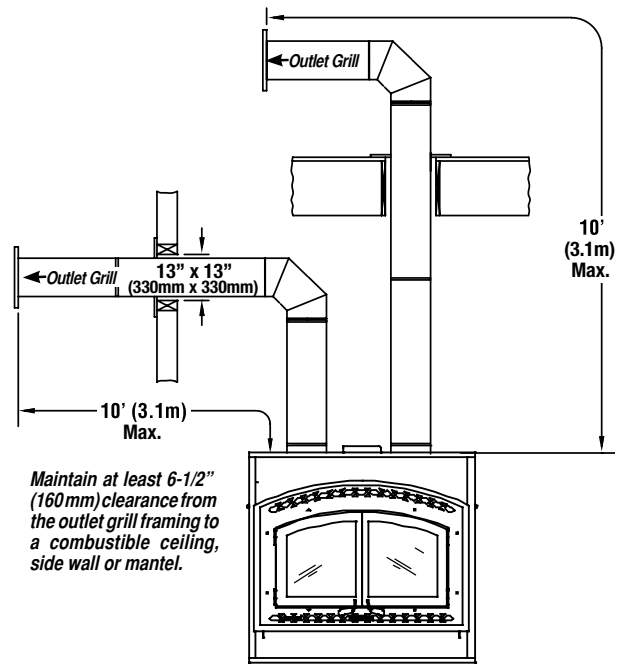


Left Side View

Right Side View



INSTALLATION SPECIFICATIONS



PRODUCT SPECIFICATIONS

Glass Viewing Area (W x H)	31" x 15"
Firebox Interior (W x H x D+)	31" x 14-1/2" x 14"
Interior Cubic Feet	4.0
Maximum Log Size	30"
Chimney Size	7"
EPA Rating	1.3 grams/hr
Max BTU's	80,000
Heating Capacity (up to)	2,500 sq. ft.
Thermal Efficiency	70%
Blower	350 CFM
Weight	520 lbs.

+Measured in front of doors

IMPORTANT NOTES:

As with any fireplace, this appliance is extremely hot during operation. Read and understand all operating instructions before using this appliance. For further information, consult your dealer.

Local conditions, such as elevation, wind, vent configuration and choice of fuel will affect overall appearance of the fire and heating performance. Performance can also vary with home design and insulation, climate, condition and type of fuel used, appliance location, burn rate, accessories chosen, chimney installation and how the appliance is operated.

Diagrams, illustrations and photographs are not to scale—consult installation instructions. Product designs, materials, dimensions, specifications, colors and prices are subject to change or discontinuance without notice.

astria
FIREPLACES®

© 2016 Innovative Hearth Products

785679M 08/16

Visit us online



Astria.us.com



Report #14-198