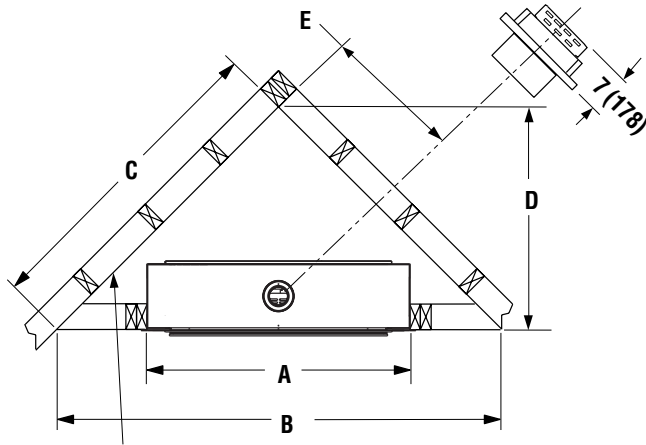


RHAPSODY® SERIES

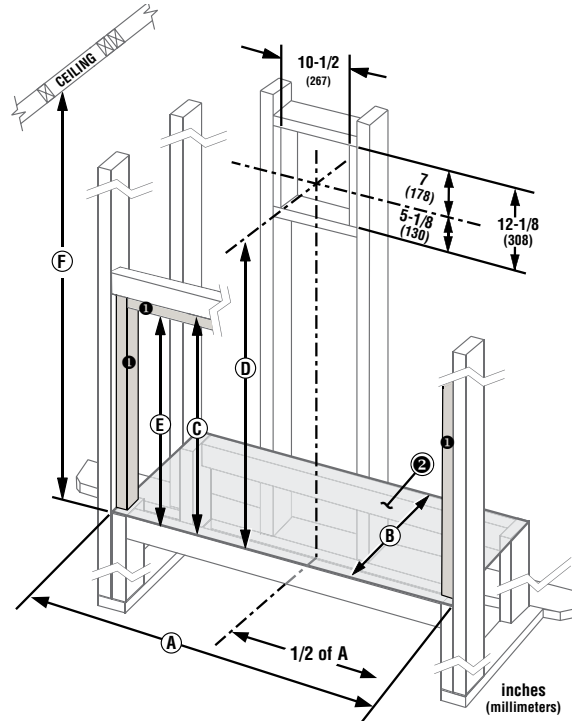
DIRECT-VENT FIREPLACES

Framing Dimensions



Models	A	B	C	D	E
42"	53-3/4" 1365 mm	94-3/4" 2407 mm	67" 1702 mm	47-3/8" 1203 mm	25-1/8" 638 mm
54"	65-3/4" 1441 mm	106-3/4" 2711 mm	75-1/2" 1917 mm	53-3/8" 1356 mm	29-3/8" 745 mm

Diagrams, illustrations and photographs are not to scale. Consult installation instructions. Product designs, materials, dimensions, specifications, colors, and prices are subject to change or discontinuance without notice.



- ① Cripple (jack) stud, recessed 1/2" back (both sides and top)
- ② Mounting platform

Models	A	B*	C	D	E**	F***
42"	57" 1448 mm	21" 533 mm	43-1/2" 1105 mm	50-3/8" 1105 mm	42-1/8" 1070mm	65" 1651mm
54"	69" 1753 mm	21" 533 mm	48-1/4" 1226 mm	48-1/4" 699 mm	47-1/8" 1197mm	65" 1651mm

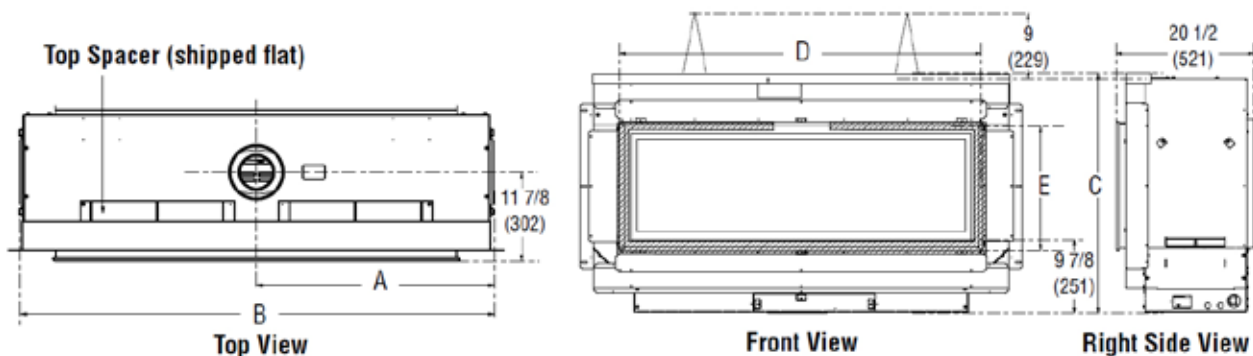
*with 1/2" recess for flush framing

** Top Jack Stud Header positioned horizontally

*** Minimum height from appliance base front to ceiling

Fireplace Dimensions

Models	A	B	C	D	E
42" Models	26-7/8" 683 mm	53-3/4" 1366 mm	32-1/2" 826 mm	44-1/8" 1121 mm	15-3/4" 398 mm
54" Models	32-1/2" 826 mm	65-3/4" 1670 mm	36-3/8" 924 mm	56-1/8" 1426 mm	19-5/8" 498 mm



NOTE: DIAGRAMS & ILLUSTRATIONS ARE NOT TO SCALE.

RHAPSODY® SERIES

Product Info

Cat. No.	Model	Weight	Cu. Ft.
F2239	Rhapsody42TEN	239 lb.	34.4
F2237	Rhapsody54TEN	311 lb.	45.4

Listing

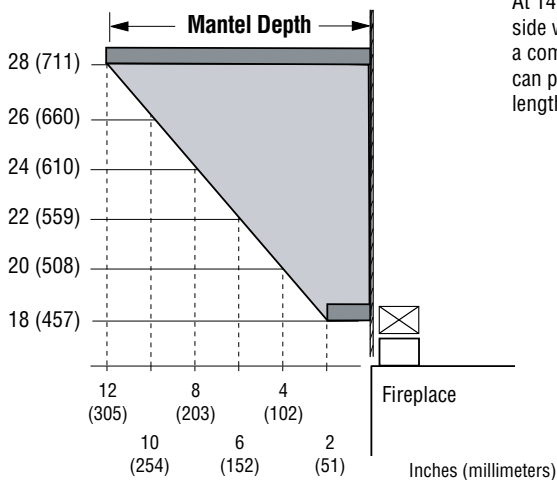


Report No. F14-108

Listed by PFS Corporation to - ANSI Z21.88 (in Canada, CSA-2.33), and CAN/CGA-2.17-M91 in both USA and Canada, as a vented gas fireplace heaters.

Clearances

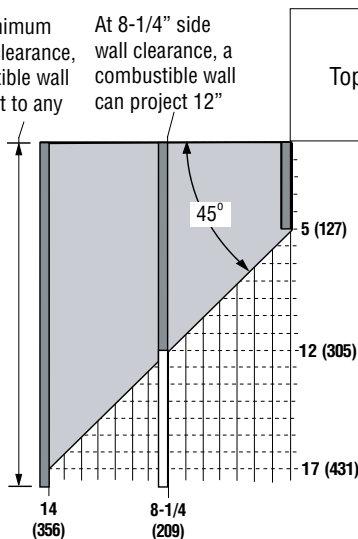
Mantel Clearance



Side Wall Clearance

At 14" minimum side wall clearance, a combustible wall can project to any length

At 8-1/4" side wall clearance, a combustible wall can project 12"



Top View of Fireplace

Combustible materials allowed in the shaded area "Safe Zone"

Combustible walls shown in dark gray

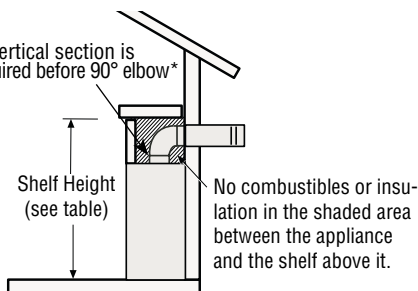
Combustible mantel legs may project beyond either side of the fireplace opening as long as they are kept within the shaded area illustrated here

Model	Top Vent with one 90° Elbow *	
	Secure Vent®	Secure Flex® (flex elbow)
42" *	57-1/2" (1450 mm) **	59" (1500 mm) **
54" *	61" (1550 mm) **	62-3/4" (1594 mm) **

* 12" straight vent section required before 90° elbow

** Includes 3" clearance to combustibles required above vent components

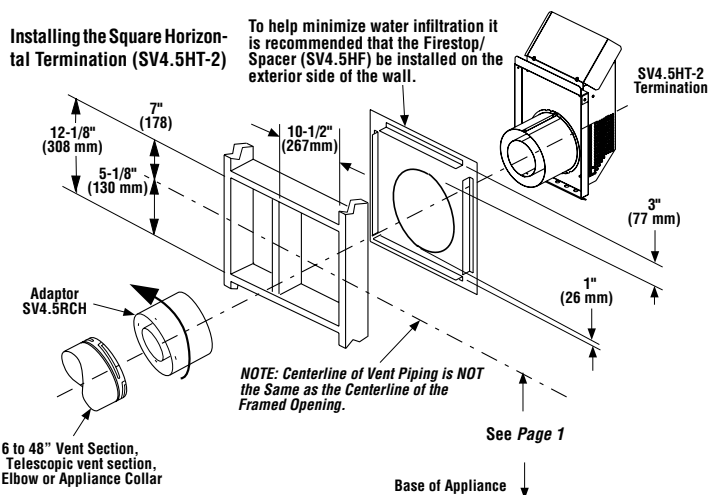
1' Vertical section is required before 90° elbow*



Horizontal Termination

Installing the Square Horizontal Termination (SV4.5HT-2)

To help minimize water infiltration it is recommended that the Firestop/Spacer (SV4.5HF) be installed on the exterior side of the wall.

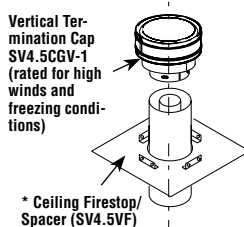


NOTE: Centerline of Vent Piping is NOT the Same as the Centerline of the Framed Opening.

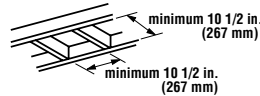
See Page 1

Base of Appliance

Vertical Termination

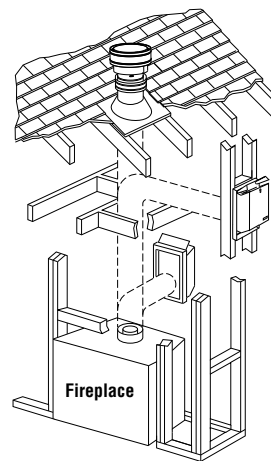


Roof Framing



Uses 4.5" / 7.5" Secure Vent® Rigid and Secure Flex® Direct-Vent Components

Typical Installations



Venting

NOTE: DIAGRAMS & ILLUSTRATIONS ARE NOT TO SCALE.
Printed in U.S.A. © 2017 Innovative Hearth Products
P/N 900630-00 REV. A 12/2018

Specifications and clearances are subject to change without notice. Refer to Installation Manual before installation of these appliances for updated dimensions and instructions.

Page 2 of 2