



RHAPSODY

DIRECT VENT GAS FIREPLACES



astria
FIREPLACES®

Contemporary
Fireplace
Design Collection





SHOW YOURSELF IN

Create a room that begs you to stick
around, *sit down and relax.*

*FEATURED Rhapsody 54 with Clean-Face Kit, Reflection Floor and Black
Porcelain Nake Panel Kit*



FEATURED Rhapsody 42 with Black Satin Surround, Brushed Nickel Bezel, designer floor and Copper Media

The Rhapsody direct vent gas fireplace is a contemporary linear design for a sleek and dramatic appearance. The expansive ceramic glass opening provides an exceptional view of the mesmerizing, rhythmic flames in a variety of interior options. The Rhapsody provides an elegant and sophisticated approach to any modern living area.

EXCLUSIVE FEATURES

- ◆ Available in 42" and 54" linear configured models
- ◆ Gas controls are conveniently hidden in the fireplace floor
- ◆ Electronic ignition with battery backup to operate in the event of a power outage
- ◆ Exclusive Infini-Flame™ technology provides a continuous band of tranquil flames across the expansive viewing area
- ◆ Six flame settings with up to a 30% turn down for precise heat control
- ◆ 70.2% industry leading AFUE
- ◆ Clean-face design features ceramic glass for optimum heat transfer and a protective screen*
- ◆ Factory installed blower with six speed settings to fine tune your heating needs
- ◆ Interior finish selections consist of reflective porcelain firebox floors, reflective porcelain panel kits and crushed glass media
- ◆ Clean-faced trim kit or recessed surround with door bezel trim kit (surround and bezel must be ordered together)
- ◆ Backlighting kit available (with six distinctive settings) enhances the illusion panel to add design interest even when the fire is not in use
- ◆ Full function remote control (T-stat, flame, blower, lighting, IPI/CPI)
- ◆ Power-vent kit available for all models (Natural Gas only)
- ◆ Limited Lifetime Warranty

*All applicable models comply with ANSI Z21.50/88 barrier requirements.

Options

FIREBOX FLOOR (REQUIRED)

Choose from two modern floors to customize your fireplace.



Reflection Floor has curved porcelain design that enhances the flame.



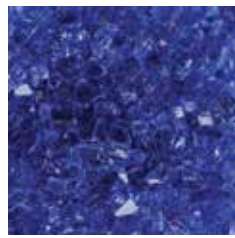
Designer floor features curved porcelain with media tray.

GLASS MEDIA (REQUIRED)

Choose from five glass media options to complement your décor (designed floor required).



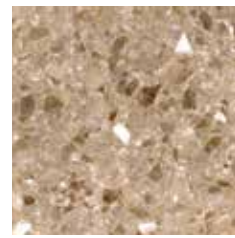
Reflective Black



Reflective Blue



Copper



Goldfinger



Platinum

ILLUSION PANEL KIT (OPTIONAL)

Choose from two curved back panel kits to add a unique backdrop to your fire. (required when using a backlighting kit)

REFLECTIVE PORCELAIN PANEL KITS



Cityscape



Metroscape

NAKE PANEL KIT (REQUIRED OPTION)

Choose from two curved back panel kits to add a unique backdrop to your fire.

NAKE PANEL KITS



Black Satin (painted)



Black Porcelain

SURROUND & BEZEL (OPTIONAL-REQUIRES BEZEL SELECTION)

Add an optional surround and bezel to frame the view of the fire and to finish the exterior of your fireplace.



Proflame II Remote included

SURROUND



Black Satin (painted)



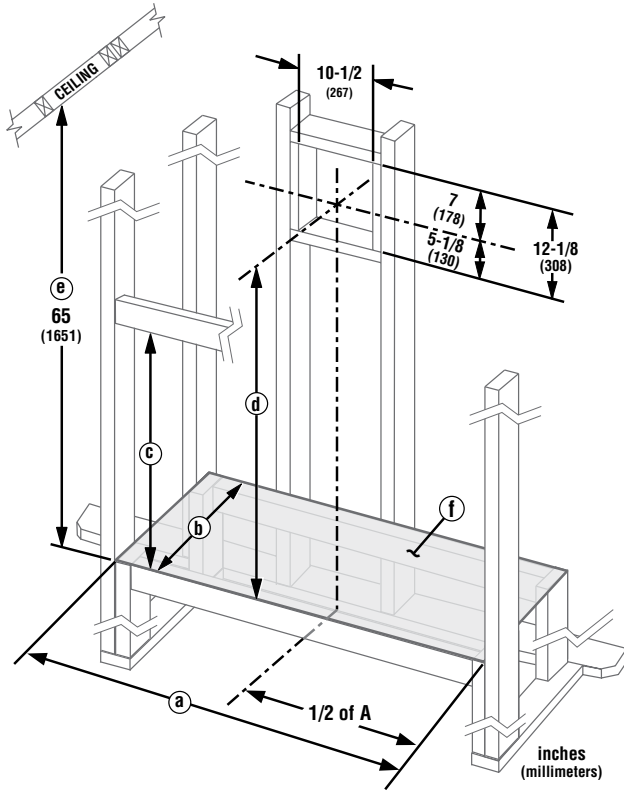
Black Nickel (plated)

BEZEL



Brushed Nickel

FLAT WALL FRAMING SPECIFICATIONS



	RHAPSODY 42	RHAPSODY 54
A	54"	66"
B	20-1/2"	20-1/2"
C	42"	46-3/4"
D	50-3/8"	48-1/4"
E	Minimum height from appliance base front to ceiling	
F	Mounting platform required	

FIREPLACE EFFICIENCIES – Listed to ANSI Z21.88 as a gas fireplace heater.

MODEL	FUEL	BTU/HR	AFUE**	P4/ENERGUIDE*
RHAPSODY 42	NG	19,500/27,000	67%	61%
RHAPSODY 54	NG	26,000/37,000	70.2%	66.9%

*Intermittent ignition systems

**Annual Fuel Utilization Efficiency (AFUE) is the recognized U.S. rating system for the total efficiency of heating products.

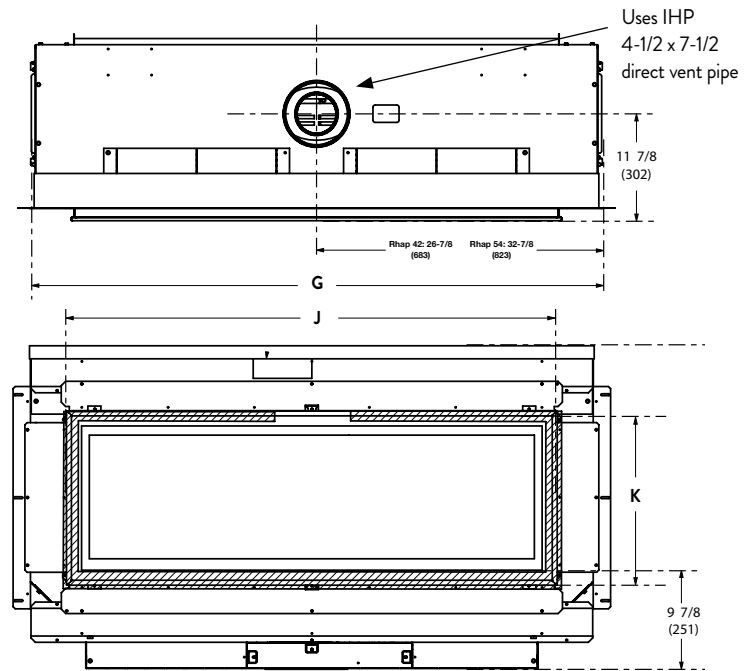
IMPORTANT NOTES:

As with any fireplace, this appliance is extremely hot during operation. Read and understand all operating instructions before using this appliance. For further information, consult your dealer.

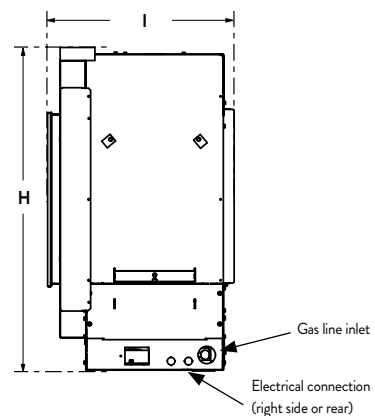
Local conditions, such as elevation, wind, vent configuration and choice of fuel will affect overall appearance of the fire and heating performance. Performance can also vary with home design and insulation, climate, condition and type of fuel used, appliance location, burn rate, accessories chosen, chimney installation and how the appliance is operated.

Diagrams, illustrations and photographs are not to scale—consult installation instructions. Product designs, materials, dimensions, specifications, colors and prices are subject to change or discontinuance without notice.

APPLIANCE SPECIFICATIONS



RIGHT SIDE VIEW



	RHAPSODY 42	RHAPSODY 54
G	53-3/4"	65-3/4"
H*	32-1/2"	36-3/8"
I	20-1/2"	20-1/2"
J	44-1/8"	56-1/8"
K	15-11/16"	19-5/8"

*Additional 9-3/8" for standoffs

astria
FIREPLACES®

© 2017 Innovative Hearth Products

785620M 10/17

Visit us online
Astria.us.com

PFS®
C US
Report #F14-108

