

MONTEBELLO DLX CD

DIRECT VENT GAS FIREPLACES



astria
FIREPLACES®

Contemporary
Fireplace
Design Collection





SHOW YOURSELF

Create a room that begs you to stick
around, *sit down and relax.*

IN

*FEATURED Montebello DLX CD45 shown with
Black Reflective Porcelain Liners and optional Goldfinger
Glass Media*



FEATURED Montebello DLX CD45 with Black Reflective Porcelain liners and optional Blue Glass Media

The Montebello DLX CD Direct Vent Gas Fireplace presents a contemporary design for a dramatic appearance. With its flush hearth floor design, tall dancing yellow flames and exceptional viewing area, the Montebello DLX CD provides endless possibilities to accentuate your living area.

EXCLUSIVE FEATURES

- ◆ Available in 40" and 45" models
- ◆ Gas controls are conveniently hidden to the side of the fireplace opening for easy installation and finishing
- ◆ Electronic ignition with battery backup to provide continued operation in the event of a power outage
- ◆ Exclusive burner design to generate amazing tall flame
- ◆ Flush hearth floor design
- ◆ Six flame settings for precise control
- ◆ Smooth-faced design features ceramic glass for optimum heat transfer and a protective screen*
- ◆ Beautiful flame that rises through reflective crushed glass media
- ◆ Interior liner consists of full five-piece black reflective porcelain
- ◆ Full function remote control (Flame, IPI/CPI)
- ◆ Available in dedicated power-vent models (Natural Gas only)
- ◆ Limited Lifetime Warranty

*All applicable models comply with ANSI Z21.50/88 barrier requirements.



FEATURED Montebello DLX CD and its impressively large flame presentation

Total Comfort Control



Proflame II Remote included

SCREENS (OPTIONAL)

Choose a free-standing decorative screen to create a decorative barrier to prevent direct contact with hot glass.



Dual Arch Screen (Other modes available)

INTERIOR (STANDARD)

Black Reflective Porcelain is the perfect backdrop for a sleek modern focal point.

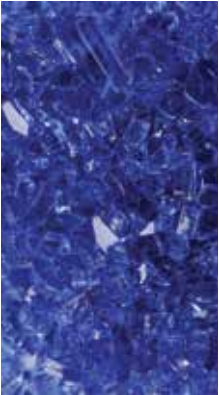


GLASS MEDIA (REQUIRED OPTION)

Choose from five glass media options to complement your decor.



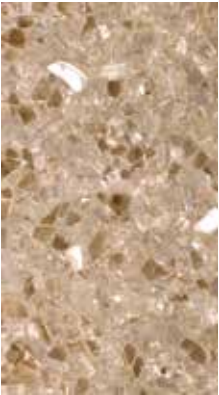
Reflective Black



Reflective Blue



Copper

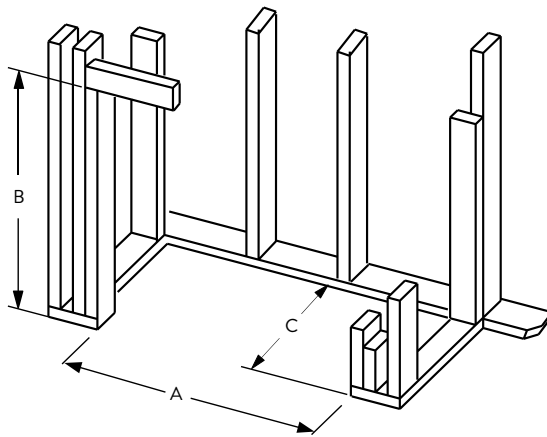


Goldfinger



Platinum

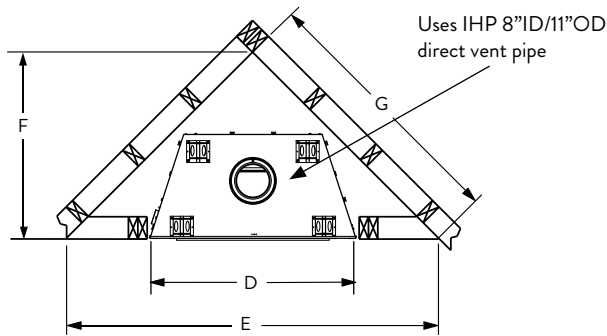
FLAT WALL FRAMING SPECIFICATIONS



MONTEBELLO DLX CD 40 MONTEBELLO DLX CD 45

A	50-3/4"	56-7/8"
B	45"	50"
C	26"	26"

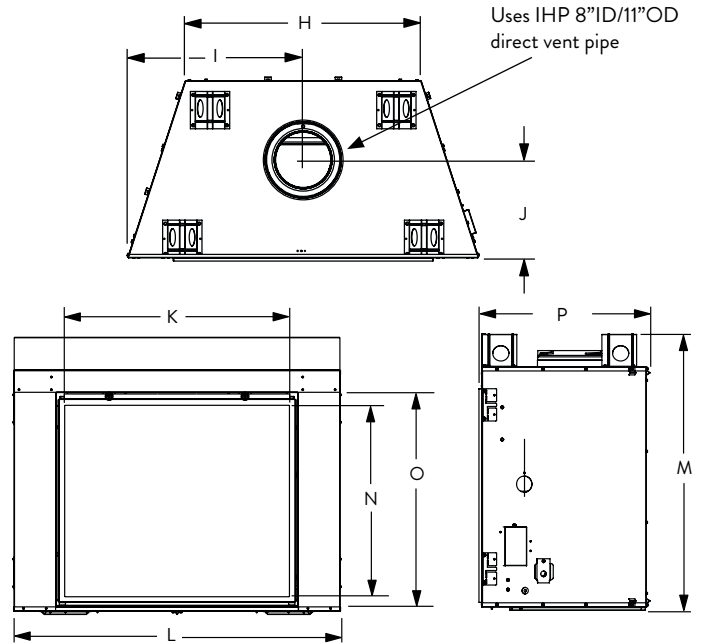
CORNER FRAMING SPECIFICATIONS



MONTEBELLO DLX CD 40 MONTEBELLO DLX CD 45

D	50-5/8"	56-3/4"
E	83-5/8"	89-7/8"
F	41-7/8"	44-7/8"
G	59-1/8"	63-1/2"

APPLIANCE SPECIFICATIONS



MONTEBELLO DLX CD 40 MONTEBELLO DLX CD 45

H	34"	40-1/8"
I	25-5/16"	28-3/8"
J	14-1/8"	14-1/8"
K	34-3/4"	40-59/64"
L	50-5/8"	56-11/16"
M	45"	50"
N	29-9/32"	34-1/2"
O	33-3/32"	38-3/32"
P	26-15/32"	26-15/32"

FIREPLACE EFFICIENCIES — Listed to ANSI Z21.50 as a decorative gas appliance.

MODEL	FUEL	BTU/HR	P4/ENERGUIDE*
MONTEBELLO DLX CD 40 TEN	NG	32,000/50,000	35.8%
MONTEBELLO DLX CD 40 TEP	LP	32,000/50,000	42.0%
MONTEBELLO DLX CD 40 TYN	NG	26,500/42,000	47.0%
MONTEBELLO DLX CD 45 TEN	NG	40,000/57,000	47.2%
MONTEBELLO DLX CD 45 TEP	LP	43,000/56,000	47.0%
MONTEBELLO DLX CD 45 TYN	NG	35,000/48,000	47.2%

*Intermittent ignition systems. Millivolt/Electronic.

IMPORTANT NOTES:

As with any fireplace, this appliance is extremely hot during operation. Read and understand all operating instructions before using this appliance. For further information, consult your dealer.

Local conditions, such as elevation, wind, vent configuration and choice of fuel will affect overall appearance of the fire and heating performance. Performance can also vary with home design and insulation, climate, condition and type of fuel used, appliance location, burn rate, accessories chosen, chimney installation and how the appliance is operated.

Diagrams, illustrations and photographs are not to scale—consult installation instructions. Product designs, materials, dimensions, specifications, colors and prices are subject to change or discontinuance without notice.

astria
FIREPLACES®

© 2017 Innovative Hearth Products
785618M 10/17

Visit us online
Astria.us.com

PFS
C US
Report #F14-106

