

DEVONSHIRE

DIRECT VENT GAS FIREPLACES



astria
FIREPLACES®

Traditional
Fireplace
Design Collection





SHOW YOURSELF IN

Create a room that begs you to stick
around, *sit down and relax.*

FEATURED *Devonshire 42 shown with White Stacked Refractory Panels*



FEATURED Devonshire 42 shown with White Stacked Panels

The Devonshire Series direct vent gas fireplace delivers a clean-face design featuring one of the tallest viewing areas for a true masonry-built look. Combined with top tier features, such as heat-radiating ceramic glass, a realistic log set, heavy-duty cast iron grate, and a variety of options, the Devonshire Series will create a warm and inviting home.



FEATURED Devonshire shown with White Stacked Panels

INTERIOR (REQUIRED)

Choose from five realistic refractory panels that deliver the true look of masonry craftsmanship.



Tan Ledge stone



White Herringbone



White Stacked



Red Herringbone



Red Stacked

EXCLUSIVE FEATURES

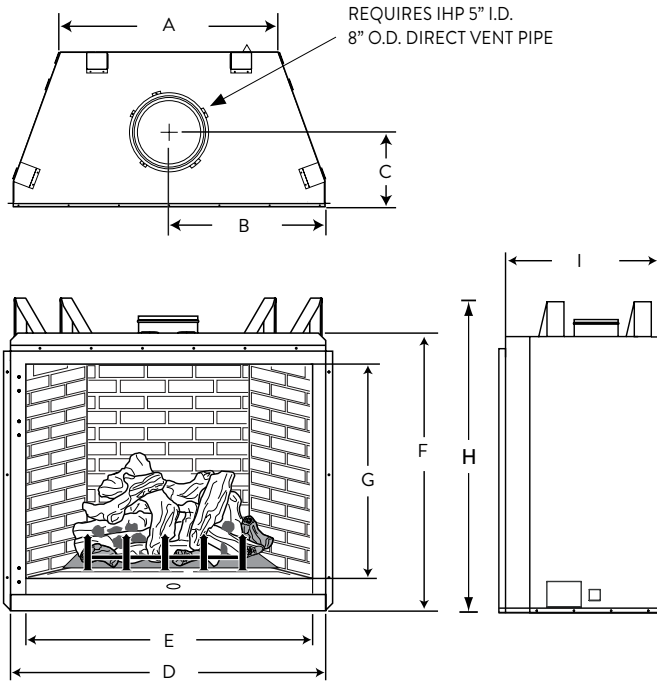
- ◆ Available in 36" and 42" models
- ◆ Conveniently located gas controls for easy installation and operation
- ◆ Energy saving electronic controls with seamless battery backup provide continued operation in the event of a power outage
- ◆ Clean-face design allows more flexibility for a custom look
- ◆ Tall opening provides an exceptional view of the flame
- ◆ Multi-level burner produces tall, dancing flames with beautiful ember bed
- ◆ Smooth-faced design features ceramic glass for optimum heat transfer and a protective screen*
- ◆ Ceramic poured fiber log set with heavy duty cast-iron grate
- ◆ Dual blowers for increased comfort
- ◆ High definition refractory panels available in multiple styles and colors
- ◆ Includes full-featured remote control (variable flame control and IPI/CPI)
- ◆ Limited Lifetime Warranty

*All applicable models comply with ANSI Z21.50/88 barrier requirements.



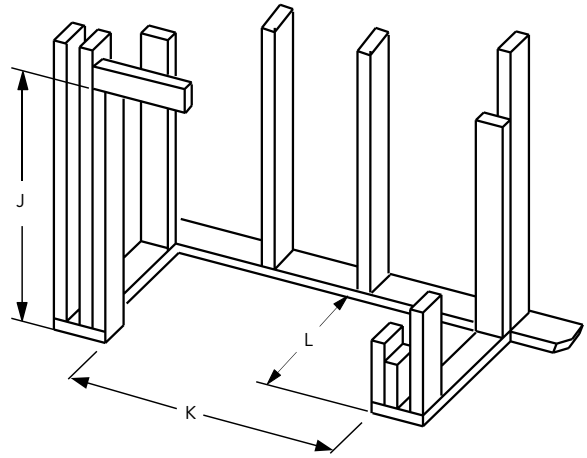
Remote included

APPLIANCE SPECIFICATIONS



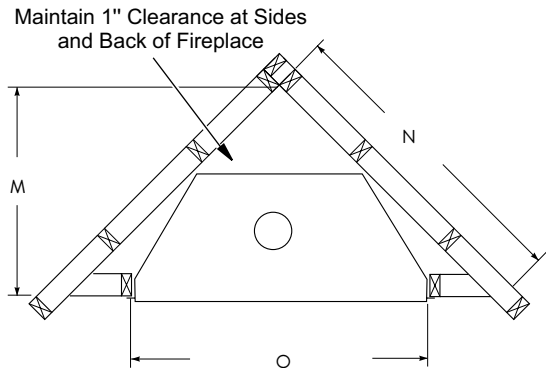
	DEVONSHIRE 36	DEVONSHIRE 42
A	29-1/8"	34-3/4"
B	20-1/2"	24"
C	11-7/8"	13-5/8"
D	41"	48"
E	35"	42"
F	40"	44"
G	30"	33-3/4"
H	44"	48"
I	21-1/8"	25-1/8"

FLAT WALL FRAMING SPECIFICATIONS



	DEVONSHIRE 36	DEVONSHIRE 42
J	44"	48"
K	41-1/2"	48-1/8"
L	22-1/8"	26-1/8"

CORNER FRAMING SPECIFICATIONS



	DEVONSHIRE 36	DEVONSHIRE 42
M	36-3/8"	43-3/8"
N	51-3/8"	61-3/4"
O	41-1/2"	48-1/2"

FIREPLACE EFFICIENCIES – Listed to ANSI Z21.50 as a decorative gas appliance.

MODEL	FUEL	BTU/HR	P4 / ENERGUIDE*
DEVONSHIRE 36	NG	30,000/46,000	53.0%
DEVONSHIRE 36	LP	25,000/41,000	53.85%
DEVONSHIRE 42	NG	30,000/56,000	44.83%
DEVONSHIRE 42	LP	27,500/50,000	47.29%

*Intermittent ignition systems.

IMPORTANT NOTES:

As with any fireplace, this appliance is extremely hot during operation. Read and understand all operating instructions before using this appliance. For further information, consult your dealer.

Local conditions, such as elevation, wind, vent configuration and choice of fuel will affect overall appearance of the fire and heating performance. Performance can also vary with home design and insulation, climate, condition and type of fuel used, appliance location, burn rate, accessories chosen, chimney installation and how the appliance is operated.

Diagrams, illustrations and photographs are not to scale—consult installation instructions. Product designs, materials, dimensions, specifications, colors and prices are subject to change or discontinuance without notice.

astria
FIREPLACES®

© 2017 Innovative Hearth Products
785611M 10/17

Visit us online
Astria.us.com

PFS®
C US
Report #F09-099

