

P/N 900878-00
REV. NC, 02/2018

FACE SURROUND KIT MODELS:

**SURR35-SS4S
SURR45-SS3S
SURR35ST-SS4S**

**SURR40-SS3S
SURR40-SS4S**

INSTALLATION INSTRUCTIONS FOR DECORATIVE FACE SURROUND KIT.

SURR35-SS4S FOR USE WITH:

SUPERIOR - TRADITIONAL DRT2035 AND DRT3035 FIREPLACE SERIES
SUPERIOR - CONTEMPORARY DRC2035 AND DRC3035 FIREPLACE SERIES
ASTRIA - TRADITIONAL ARIES35 AND GEMINI35 FIREPLACE SERIES
ASTRIA - CONTEMPORARY ARIESCD35 AND GEMINICD35 FIREPLACE SERIES

SURR35ST-SS4S FOR USE WITH:

SUPERIOR - DRT35ST FIREPLACE SERIES
ASTRIA - EROS35ST FIREPLACE SERIES

SURR40-SS4S FOR USE WITH:

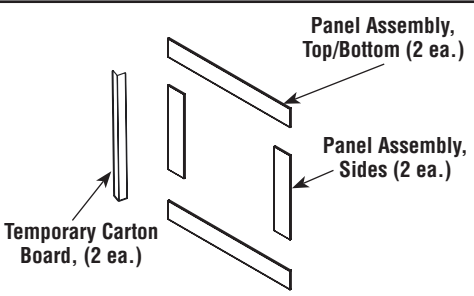
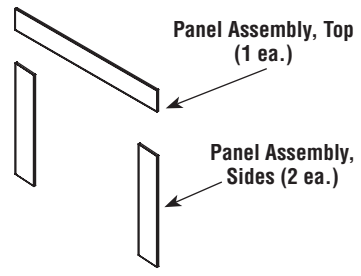
SUPERIOR - TRADITIONAL DRT2040 AND DRT3040 FIREPLACE SERIES
SUPERIOR - CONTEMPORARY DRC2040 AND DRC3040 FIREPLACE SERIES
ASTRIA - TRADITIONAL ARIES40 AND GEMINI40 FIREPLACE SERIES
ASTRIA - CONTEMPORARY ARIESCD40 AND GEMINICD40 FIREPLACE SERIES

SURR45-SS3S FOR USE WITH:

SUPERIOR - TRADITIONAL DRT2045 AND DRT3045 FIREPLACE SERIES
SUPERIOR - CONTEMPORARY DRC2045 AND DRC3045 FIREPLACE SERIES
ASTRIA - TRADITIONAL ARIES45 AND CONTEMPORARY ARIESCD45 FIREPLACE SERIES
ASTRIA - TRADITIONAL GEMINI45 FIREPLACE SERIES

SURR40-SS3S FOR USE WITH:

SUPERIOR - TRADITIONAL DRT2040 AND DRT3040 FIREPLACE SERIES
SUPERIOR - CONTEMPORARY DRC2040 AND DRC3040 FIREPLACE SERIES
ASTRIA - TRADITIONAL ARIES40 AND GEMINI40 FIREPLACE SERIES
ASTRIA - CONTEMPORARY ARIESCD40 AND GEMINICD40 FIREPLACE SERIES

SURROUND KIT			
Cat. No.	Model	Description	Kit Contents
F3558 F3560 F3564	SURR35-SS4S SURR35ST-SS4S SURR40-SS4S	4 Sided Surround (45" x 39") 4 Sided Surround (45" x 44") 4 Sided Surround (50" x 32")	
F3559 F3563	SURR45-SS3S SURR40-SS3S	3 Sided Surround (56" x 39.5") 3 Sided Surround (50" x 33")	

MATERIALS NEEDED

Adhesive Liquid Nails (Not supplied)
Painter's Tape (Not supplied)

GENERAL INFORMATION

Read this instruction sheet in its entirety before beginning the installation.

If you encounter any problems, need clarification of these instructions or are not qualified to properly install this kit, contact your local distributor or dealer.

Parts may scratch and bend. Great care should be used in handling them.

ALL WARNINGS AND PRECAUTIONS IN THE INSTALLATION AND OPERATION MANUAL PROVIDED WITH THE FIREPLACE APPLY TO THESE INSTRUCTIONS.

TURN OFF THE FIREPLACE AND ALLOW IT TO COMPLETELY COOL BEFORE PROCEEDING.

INSTALLATION INSTRUCTIONS 4 SIDED MODELS

1. Partially peel back protective film from areas where surround panels meet (peel the back up to the front face edge).
2. Apply even coat of adhesive to the back of bottom surround piece (See Figure 1). **Note:** Repeat this step to sides and top surround pieces prior to installing.
3. Install bottom surround piece centered with the fireplace onto the wall and flush with bottom face (see Figure 2).
4. If additional support is needed, then wedge temporary carton board underneath bottom surround panel (A) and use painter's tape (not supplied) to hold the face to the wall. **Note:** Temporary carton board can be cut to desired length and is used to prevent surround piece from sliding down the wall while adhesive dries.
5. Install side panels (B), flush with edges of bottom surround piece leaving a 1/4" gap clearance on each side of fireplace face (see Figure 3).
6. Install top surround panel (C) (after steps 3 thru 5 are complete) flush with surround sides (see Figure 4) **Note:** there should be a gap between the hood and the top surround piece for hood removal if needed.
7. Allow the adhesive to cure at least 24 hours prior to the removal of the painter's tape and protective film. Discard the temporary carton board if used.
8. After adhesive has fully dried, peel off remaining protective film from face surround pieces in its entirety.
9. Installation is now complete. **Note:** See Figure 4 for an illustration of the completed installation.

Apply adhesive evenly to entire surface



Figure 1 - Evenly Apply Adhesive to Back of Surround Face (Back View Shown)

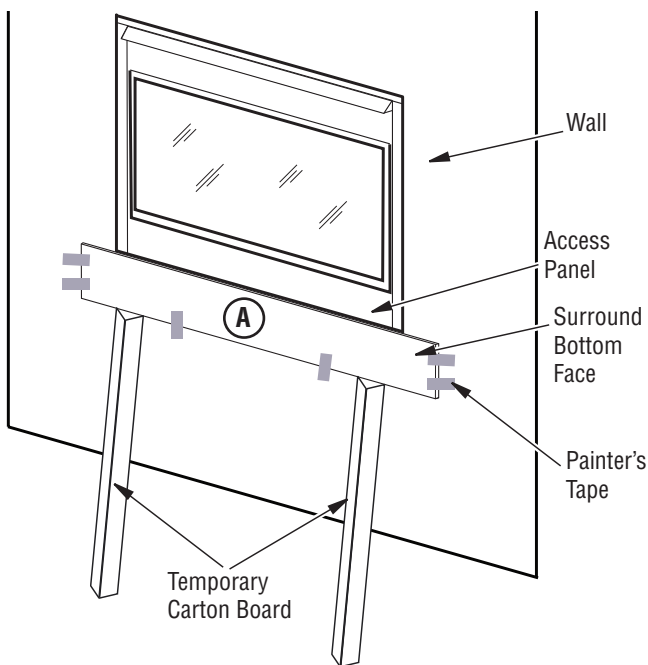


Figure 2 - Bottom Surround Face Installation

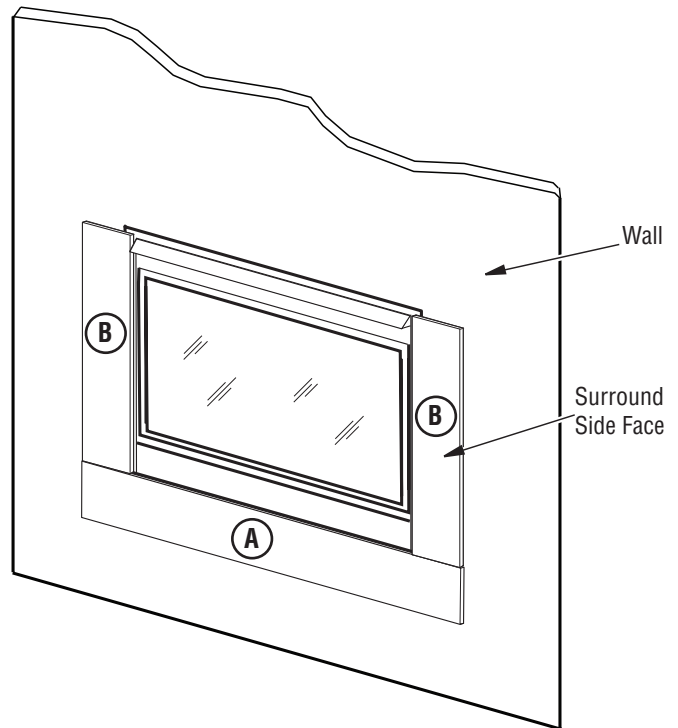


Figure 3 - Sides Surround Face Installation

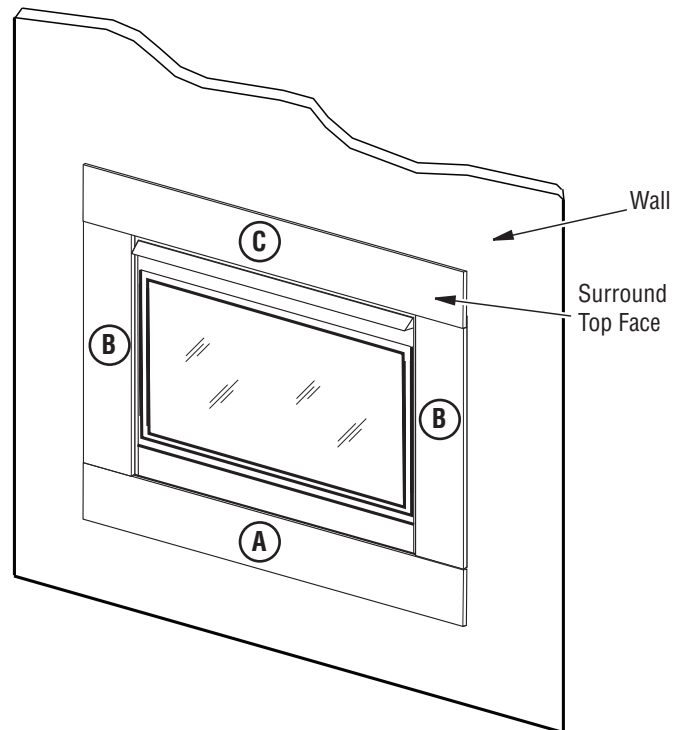


Figure 4 - Top Surround Face Installation

INSTALLATION INSTRUCTIONS 3 SIDED MODELS

1. Partially peel back protective film from areas where surround panels meet (peel the back up to the front face edge).
2. Apply even coat of adhesive to the back of side surround pieces (See Figure 1). **Note:** Repeat this step to top surround panel prior to installing.
3. Install side panels (**A**), flush with floor leaving a 1/4" gap clearance on each side face. If additional support is needed, use painter's tape (not supplied) to hold the face to the wall, as shown in Figure 2, page 2.
4. Install top surround panel (**B**), flush with surround sides as shown in Figure 5.
5. Allow the adhesive to cure at least 24 hours prior to the removal of the painter's tape and protective film.
6. After adhesive has fully dried, peel off remaining protective film from face surround pieces in its entirety.
7. Installation is now complete.

NOTE: See Figure 5 for an illustration of the completed installation.

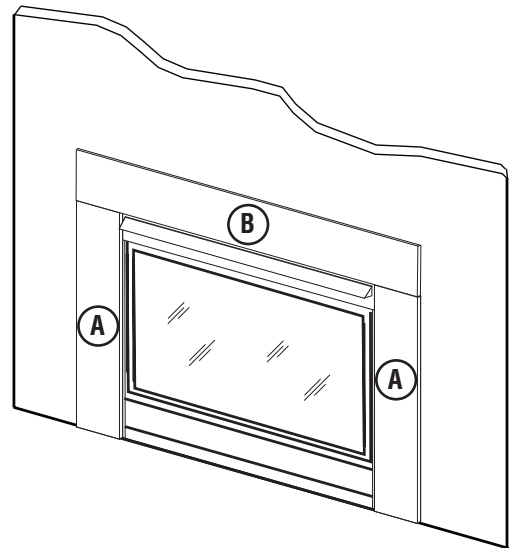


Figure 5 - Installing Three Piece Surround Face

IHP reserves the right to make changes at any time, without notice, in design, materials, specifications, and prices, and also to discontinue colors, styles, and products. Consult your local distributor for fireplace code information.



Printed in U.S.A. © 2018 Innovative Hearth Products
P/N 900878-00 REV. NC 02/2018

1769 East Lawrence Street • Russellville, AL 35654

NOTE: DIAGRAMS & ILLUSTRATIONS ARE NOT TO SCALE