

# Ladera™ CAT

## EPA Wood Burning Fireplaces Specifications

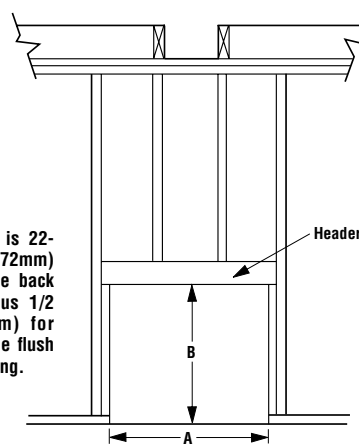
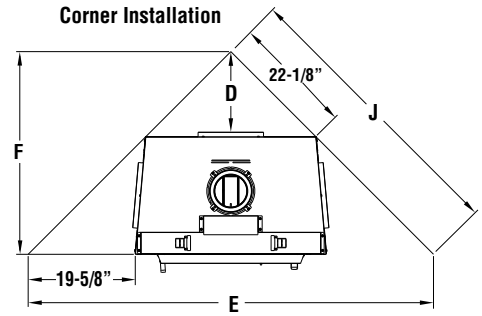
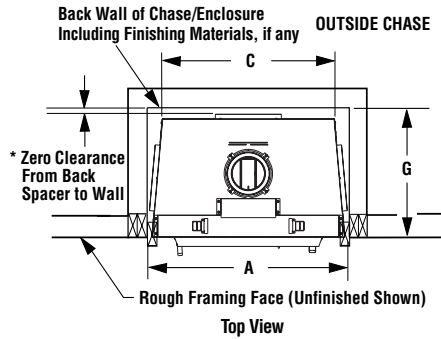
Cat.#	Model	Description
F3556	Ladera-CAT	Fireplace, Black Door

PRODUCT REFERENCE INFORMATION	
Weight	215 lbs
Height	37-5/8"
Width	32-3/4"
Depth	22-1/2"
Firebox W x H x D measured in front	19-1/2" x 13-1/4" x 12"
Chimney Weight ASHT*, DTC** Ø 6"	6.25 lb/ft.
Chimney Weight AC* Ø 6"	3.25 lb/ft.
Chimney Weight S-2100* Ø 6"	10.8 lb/ft.

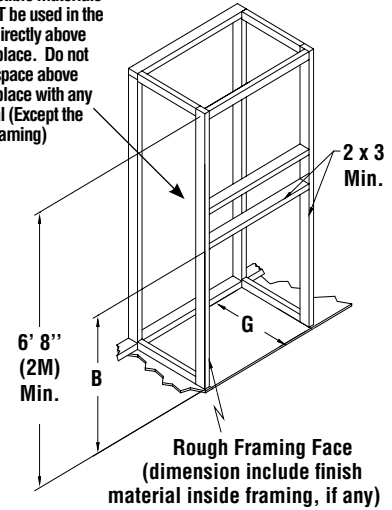
\*Available from Security Chimneys®  
 \*\*Available from DuraVent®

FRAMING DIMENSIONS		
A	36"	915 mm
B	37-3/4"	959 mm
C	31-3/8"	797 mm
D	14-7/8"	378 mm
E	74-3/8"	1889 mm
F	37-1/4"	946 mm
G	*22"	559 mm
J	52-5/8"	1337 mm
K	8"	203 mm

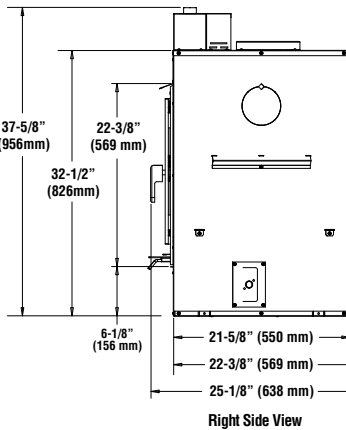
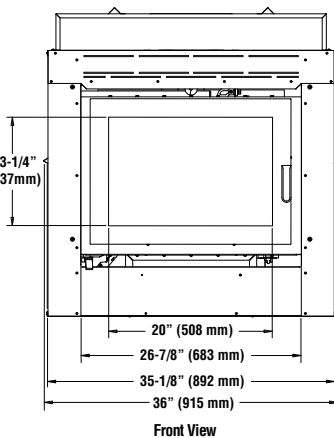
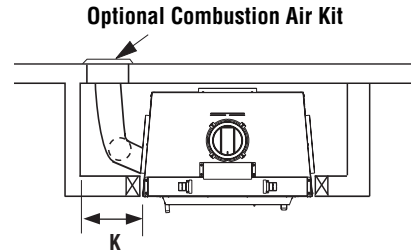
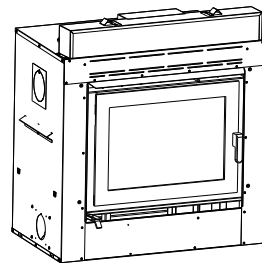
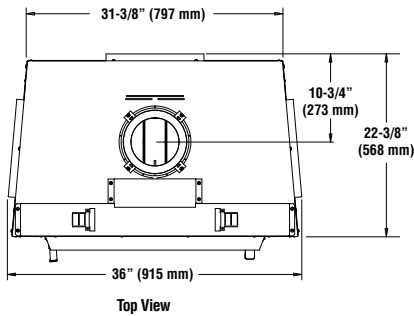
Framing Dimensions



Combustible materials can NOT be used in the space directly above the fireplace. Do not fill the space above the fireplace with any material (Except the wood framing)



Fireplace Dimensions



**Notes**  
 Diagrams, illustrations and photographs are not to scale – consult installation instructions. Product designs, materials, dimensions, specifications, colors and prices are subject to change or discontinuance without notice.  
 All framing dimensions calculated for 1/2" dry wall at the fireplace face. If sheathing the chase or finishing with other thickness materials, calculations will need to be made.  
 The fireplace must not be in contact with any insulation or loose filling material. Cover the insulation with drywall panels around the fireplace.

Listing Information



Listed to ULC-S610 & UL-127

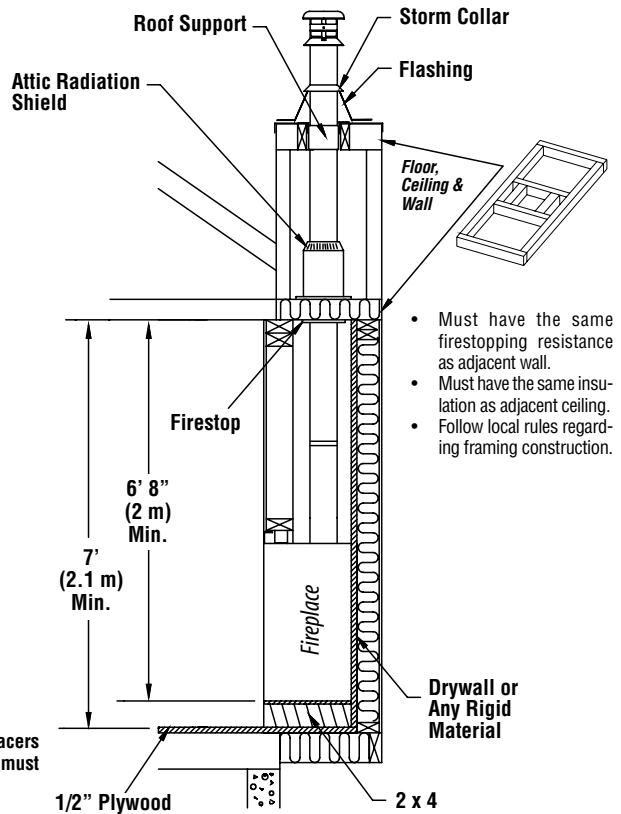
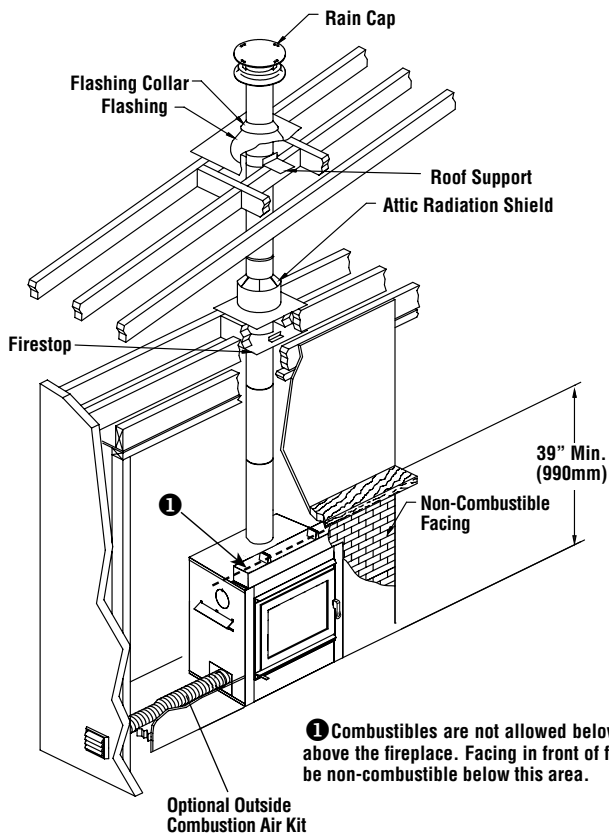
EPA Cert. No. 111-17

Report No. 14-181

# Ladera™ CAT

## EPA Wood Burning Fireplaces Specifications

Typical Installations



Combustible Clearances

### CLEARANCE TO COMBUSTIBLES

The following clearances meet the minimum requirements for a safe installation;

**Side wall:** 17" (324 mm) measured from the fireplace side

**Ceiling:** 6' 8" (2,032 mm) measured from the base of the fireplace

#### Fireplace enclosure:

- Bottom:** 0"
- Side:** 0" to spacer
- Back:** 0" to spacer
- Top:** Do not fill the space above the fireplace with any material (Except the wood framing)

**Chimney:** 2" (50mm). Chimney type \*: 6 in. diameter, certified model ASHT+\*, S-2100+\*, HT6000+\*, HT6103+\*, DuraTech DTC\*\*, AC or 7 in. ASHT\*, HT6103\*.

**Mantel:** 39" (990mm) measured from the base of the fireplace.

\*Available from Security Chimneys®

\*\*Available from DuraVent®

Hearth Extension and Mantel

