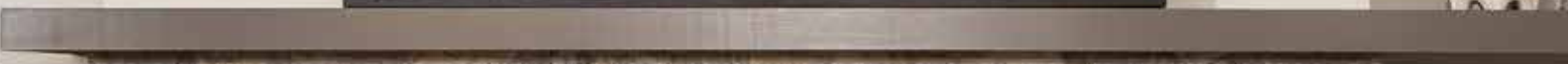


GEMINI DLX

DIRECT VENT GAS FIREPLACES



*Gemini DLX 40 with
Black Porcelain Liner
and Reflection Warm
Chestnut Facade*





The **Gemini DLX Series Direct Vent Gas Fireplace** adds sophisticated elegance, in a space-saving design, to any living area. With a wide selection of façades and interior liner options, as well as standard high-definition logs and interior lighting, you can design a fireplace that is the perfect complement to any décor. Not only beautiful, it's also an efficient room heater, complete with high heat transfer ceramic glass, fuel-saving electronic ignition, heat circulating blower and a multi-function touchscreen remote that controls everything with the push of a button. With all it has to offer, the Gemini DLX Series is at the top of its class.

STANDARD FEATURES

- ◆ Available in 35", 40" and 45" models
- ◆ Combo top/rear flue configuration
- ◆ Electronic ignition with seamless battery backup provides continued operation in the event of a power outage (IPI/CPI switch standard).
- ◆ Outstanding heating efficiency for increased comfort and lower operating costs
- ◆ Ceramic glass for optimum heat transfer and a protective screen*
- ◆ Beautifully crafted high-definition ceramic fiber log set with heavy-duty grate
- ◆ Face selections include a Classic inside fit façade or one of several Designer overlap fit facades (required)
- ◆ Interior selections consist of black reflective porcelain or a variety of ceramic fiber liners (required)
- ◆ Mood-enhancing interior illumination with six distinctive settings
- ◆ Factory installed blower with six speed settings to fine tune your heating needs
- ◆ Full-function remote control included (IPI/CPI, thermostat, flame height, blower, lighting)
- ◆ Durable textured powder coat finish
- ◆ Limited lifetime warranty

*All applicable models comply with ANSI Z21.50/88 barrier requirements.

Required Options (Choose One)

FACADES

Select from a wide variety of unique, hand-crafted designs and colors to accentuate your Gemini DLX.



CLASSIC — Black



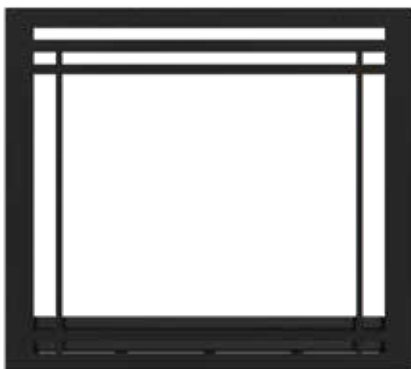
ARTISAN — Charcoal/Aged Iron



REFLECTION — Black



REFLECTION — Warm Chestnut



CRAFTSMAN — Black



CRAFTSMAN — Warm Chestnut

Required Options (Choose One)

INTERIOR

Gorgeous Black Reflective Porcelain, or Ceramic Fiber liner kits that deliver the true look of masonry craftsmanship



Black Reflective Porcelain Liner



Black Tie Stacked Ceramic Fiber Liner



Black Tie Herringbone Ceramic Fiber Liner



Heritage Brown Stacked Ceramic Fiber Liner



Heritage Brown Herringbone Ceramic Fiber Liner

Multi-Function Touch Remote (Included)

All Gemini DLX models come complete with a multi-function touchscreen remote that gives you convenient control of all of the built-in features.



- Touchscreen Digital Display
- Manual On-Off & Thermostatic Modes
- 3 Flame Heights Settings
- 6 Interior Light Settings
- 6 Blower Speed Settings
- Weekday/Weekend Modes
- Wall Mounted Docking Station

GEMINI DLX



*Gemini DLX 35 with Heritage Brown Stacked Liner
and Artisan Charcoal/Aged Iron Facade*

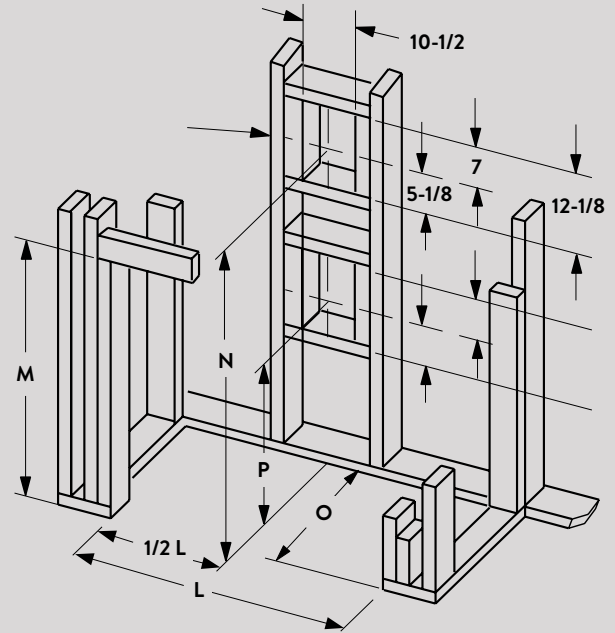
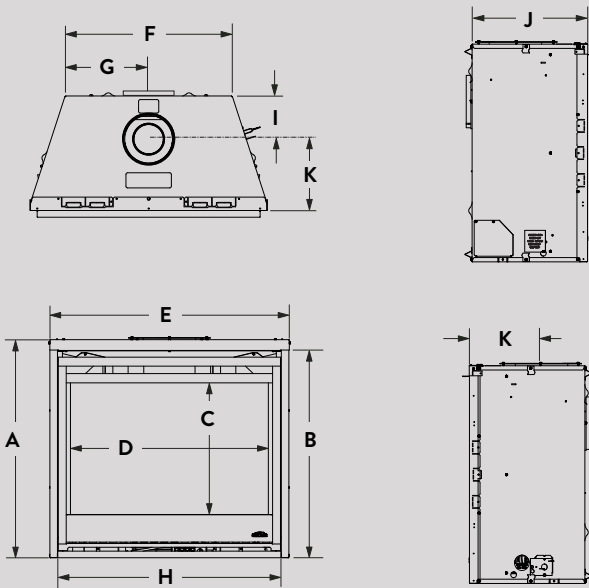


35" Log sSet

*Gemini DLX 35 with
Heritage Brown Stacked Liner*

APPLIANCE SPECIFICATIONS

FLAT WALL FRAMING SPECIFICATIONS



	GEMINI DLX 35	GEMINI DLX 40	GEMINI DLX 45
A	32-1/8"	37-1/8"	37-1/8"
B	30-1/2"	30-1/2"	35-1/2"
C*	19-1/2"	24-1/2"	24-1/2"
D*	29-1/4"	34-1/4"	39-1/4"
E	35-1/4"	40-1/4"	45-1/4"
F	25"	30"	35"
G	12-1/2"	15"	17-1/2"
H	32-7/8"	37-7/8"	42-7/8"
I	6-7/8"	6-7/8"	6-7/8"
J	17"	17"	17"
K	10-1/8"	10-1/8"	10-1/8"

*C & D are glass viewing area dimensions

FRONT COVER Gemini DLX 40 with Black Tie Herringbone Liner and Craftsman Warm Chestnut Facade

IMPORTANT NOTES:

As with any fireplace, this appliance is extremely hot during operation. Read and understand all operating instructions before using this appliance. For further information, consult your dealer.

Local conditions, such as elevation, wind, vent configuration and choice of fuel will affect overall appearance of the fire and heating performance. Performance can also vary with home design and insulation, climate, condition and type of fuel used, appliance location, burn rate, accessories chosen, chimney installation and how the appliance is operated.

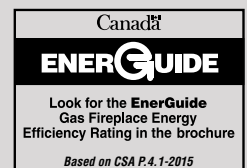
Diagrams, illustrations and photographs are not to scale—consult installation instructions. Product designs, materials, dimensions, specifications, colors and prices are subject to change or discontinuance without notice.

astria
FIREPLACES®

© 2018 Innovative Hearth Products
785709M 06/18

Visit us online
Astria.us.com

PFS
C US
Report #F13-094



	GEMINI DLX 35	GEMINI DLX 40	GEMINI DLX 45
L	35-3/8"	40-3/8"	45-3/8"
M	36-1/4"	41-1/4"	41-1/4"
N	38-3/4"	43-3/4"	43-3/4"
O	18-1/2"	18-1/2"	18-1/2"
P	23-3/8"	28-1/4"	28-1/4"

FIREPLACE EFFICIENCIES – Listed to ANSI Z21.88 as a gas fireplace heater.

MODEL	FUEL	BTU/HR	AFUE**	P4 / ENERGUIDE*
GEMINI DLX 35	NG	15,000-26,000	71%	67%
GEMINI DLX 35	LP	17,000-23,000	66%	66%
GEMINI DLX 40	NG	17,000-32,000	72%	63%
GEMINI DLX 40	LP	19,000-26,000	69%	62%
GEMINI DLX 45	NG	23,000-35,000	70%	62%
GEMINI DLX 45	LP	20,000-28,000	67%	57%

*Intermittent ignition systems.

**Annual Fuel Utilization Efficiency (AFUE) is the recognized U.S. rating system for the total efficiency of heating products.