



STANDARD FEATURES

- ◆ Available in 35", 40" and 45" models

- ◆ Combo top/rear flue configuration

- ◆ Electronic ignition with seamless battery backup provides continued operation in the event of a power outage (IPI/CPI switch standard).

- ◆ Outstanding heating efficiency for increased comfort and lower operating costs

- ◆ Ceramic glass for optimum heat transfer and a protective screen

- ◆ Beautifully crafted high-definition ceramic fiber log set with heavy-duty grate

- ◆ Face selections include a Classic inside fit façade or one of several Designer overlap fit façades (required)

- ◆ Interior selections consist of black reflective porcelain or a variety of ceramic fiber liners (required)

- ◆ Mood-enhancing interior illumination with six distinctive settings

- ◆ Factory installed blower with six speed settings to fine tune your heating needs

- ◆ Full-function remote control included (IPI/CPI, thermostat, flame height, blower, lighting)

- ◆ Durable textured powder coat finish

- ◆ Limited lifetime warranty

FACADES (Choose One)



CLASSIC — Black



ARTISAN — Charcoal/Aged Iron



REFLECTION — Black



REFLECTION — Warm Chestnut

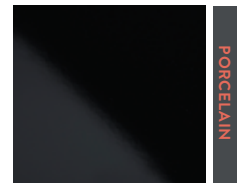


CRAFTSMAN — Black



CRAFTSMAN — Warm Chestnut

LINERS (Choose One)



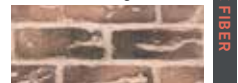
Black Reflective



Black Tie Stacked



Black Tie Herringbone



Heritage Brown Stacked

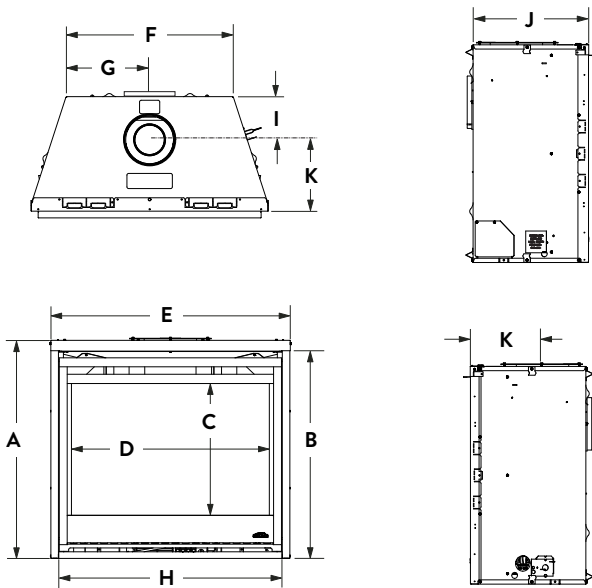


Heritage Brown Herringbone

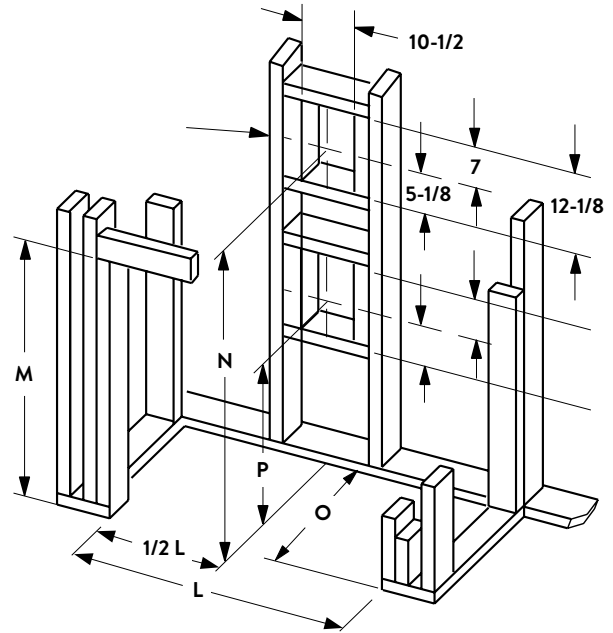
MULTI-FUNCTION TOUCH REMOTE (Included)



APPLIANCE SPECIFICATIONS



FLAT WALL FRAMING SPECIFICATIONS



	GEMINI DLX 35	GEMINI DLX 40	GEMINI DLX 45
A	32-1/8"	37-1/8"	37-1/8"
B	30-1/2"	30-1/2"	35-1/2"
C*	19-1/2"	24-1/2"	24-1/2"
D*	29-1/4"	34-1/4"	39-1/4"
E	35-1/4"	40-1/4"	45-1/4"
F	25"	30"	35"
G	12-1/2"	15"	17-1/2"
H	32-7/8"	37-7/8"	42-7/8"
I	6-7/8"	6-7/8"	6-7/8"
J	17"	17"	17"
K	10-1/8"	10-1/8"	10-1/8"

*C & D are glass viewing area dimensions

	GEMINI DLX 35	GEMINI DLX 40	GEMINI DLX 45
L	35-3/8"	40-3/8"	45-3/8"
M	36-1/4"	41-1/4"	41-1/4"
N	38-3/4"	43-3/4"	43-3/4"
O	18-1/2"	18-1/2"	18-1/2"
P	23-3/8"	28-1/4"	28-1/4"

FIREPLACE EFFICIENCIES – Listed to ANSI Z21.88 as a gas fireplace heater.

MODEL	FUEL	BTU/HR	AFUE**	P4 / ENERGISE*
GEMINI DLX 35	NG	15,000-26,000	71%	67%
GEMINI DLX 35	LP	17,000-23,000	66%	66%
GEMINI DLX 40	NG	17,000-32,000	72%	63%
GEMINI DLX 40	LP	19,000-26,000	69%	62%
GEMINI DLX 45	NG	23,000-35,000	70%	62%
GEMINI DLX 45	LP	20,000-28,000	67%	57%

*Intermittent ignition systems.

**Annual Fuel Utilization Efficiency (AFUE) is the recognized U.S. rating system for the total efficiency of heating products.

IMPORTANT NOTES:

As with any fireplace, this appliance is extremely hot during operation. Read and understand all operating instructions before using this appliance. For further information, consult your dealer.

Local conditions, such as elevation, wind, vent configuration and choice of fuel will affect overall appearance of the fire and heating performance. Performance can also vary with home design and insulation, climate, condition and type of fuel used, appliance location, burn rate, accessories chosen, chimney installation and how the appliance is operated.

Diagrams, illustrations and photographs are not to scale—consult installation instructions. Product designs, materials, dimensions, specifications, colors and prices are subject to change or discontinuance without notice.

FRONT COVER Gemini DLX 40 with Black Tie Herringbone Liner and Craftsman Warm Chestnut Facade

astria
FIREPLACES®

© 2018 Innovative Hearth Products

Visit us online
Astria.us.com

PFS
C US
Report #F13-094

