

ORACLE

WOOD BURNING FIREPLACES OUTDOOR





Oracle with Ivory Split Stacked Mosaic Masonry™ brick

Oracle, a family of premium Wood Burning Fireplaces, with large viewing areas and unique features, provide a distinctive focal point in any room.

STANDARD FEATURES

- ◆ Available in 36", 42" and 50" models
- ◆ Massive smoke dome with no visible smoke shelf for reliable operation
- ◆ Fully insulated firebox for increased performance in colder climates
- ◆ Mosaic Masonry™ brick or Estate Refractory Panels available in a variety of patterns and colors with integrated ash lip
- ◆ Heavy duty stainless steel log grate
- ◆ Hidden ash dump with pull ring
- ◆ Easy access damper control
- ◆ Includes stainless steel mesh fire screens
- ◆ Dual (left hand/right hand) outside air kits available for maximum performance
- ◆ Stainless steel construction for long lasting outdoor use
- ◆ Uses IHP 12 DM (1700°) double wall air cooled wood burning chimney
- ◆ Uses IHP 12 HT (2100°) heavy gauge double wall air cooled wood burning chimney, recommended for cold climates (required for Canada)
- ◆ 20 Year Limited Warranty



Engineered Mosaic Masonry™ bricks are hand grouted in the factory for ease of installation and provides the authentic look of masonry craftsmanship.

Options

INTERIOR (REQUIRED)

Mosaic Masonry™ brick available in a variety of colors and patterns.



Warm Red Full Herringbone



Warm Red Full Stacked



Ivory Full Herringbone



Ivory Full Stacked



Warm Red Split Herringbone



Warm Red Split Stacked



Ivory Split Herringbone



Ivory Split Stacked

Estate refractory panels feature large grout lines to provide the look of hand-laid brick.



Cappuccino Herringbone



Cappuccino Stacked



Creamer Herringbone



Creamer Stacked



Grey Herringbone



Grey Stacked



Rust Herringbone



Rust Stacked

ADDITIONAL OPTIONS



Bronze



Ebony



Pewter



Brushed Brass



Black

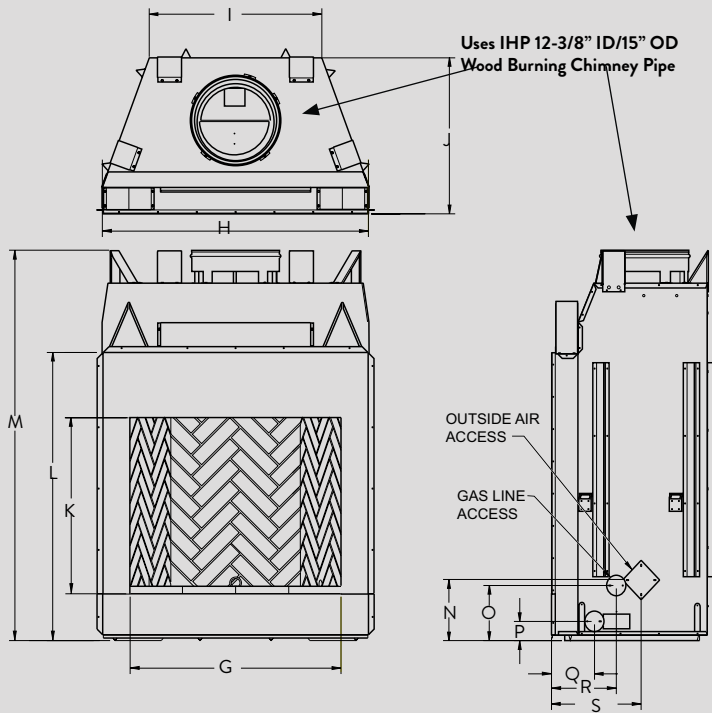


Platinum

DOORS (OPTIONAL)

Tempered glass doors are expertly crafted. Six finishes available for use with Masonry Brick (1-3) and Estate Panels (4-6).

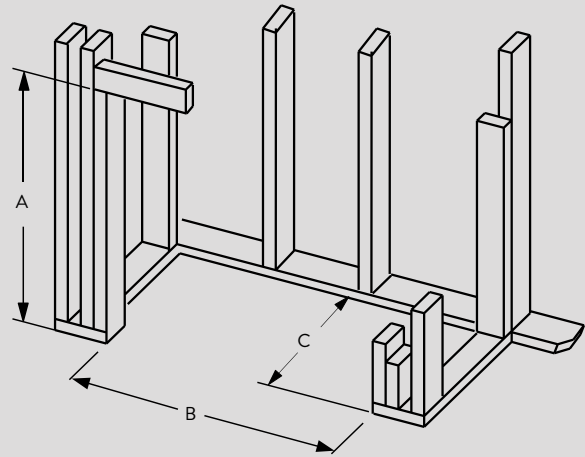
APPLIANCE SPECIFICATIONS



	ORACLE 36	ORACLE 42	ORACLE 50
G	36"	42"	50"
H	45-1/8"	51-1/8"	59"
I	29"	30-1/2"	38-1/2"
J	26-5/8"	29"	28-1/2"
K	30"	30"	30"
L	49"	49"	49"
M	67"	67"	67"
N	10-1/2"	10-1/2"	10-1/2"
O	9-1/2"	9-1/2"	9-1/2"
P	3-1/2"	3-1/2"	3-1/2"
Q	7-1/4"	8-1/2"	8-1/2"
R	11"	13"	13"
S	15-1/4"	17"	17"

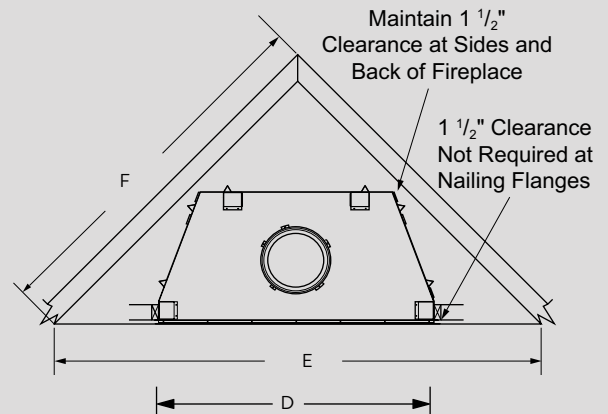
DIAGRAMS, ILLUSTRATIONS AND PHOTOGRAPHS ARE NOT TO SCALE—CONSULT INSTALLATION INSTRUCTIONS. PRODUCT DESIGNS, MATERIALS, DIMENSIONS, SPECIFICATIONS, COLORS AND PRICES ARE SUBJECT TO CHANGE OR DISCONTINUANCE WITHOUT NOTICE.

FRAMING SPECIFICATIONS



	ORACLE 36	ORACLE 42	ORACLE 50
A	67-1/8"	67-1/8"	67-1/8"
B	45-1/4"	51-1/4"	59-1/4"
C	28-1/4"	30-1/8"	30-1/8"

CORNER FRAMING SPECIFICATIONS



	ORACLE 36	ORACLE 42	ORACLE 50
D	45-1/4"	51-1/4"	59-1/4"
E	86-1/2"	92"	100"
F	61"	65"	71"

IMPORTANT NOTES:

As with any fireplace, this appliance is extremely hot during operation. Read and understand all operating instructions before using this appliance. For further information, consult your dealer.

Local conditions, such as elevation, wind, vent configuration and choice of fuel will affect overall appearance of the fire and heating performance. Performance can also vary with home design and insulation, climate, condition and type of fuel used, appliance location, burn rate, accessories chosen, chimney installation and how the appliance is operated.

astria
FIREPLACES®

© 2018 Innovative Hearth Products
785469M 09/18

Visit us online
Astria.us.com

PFS
C US
Report #F09-095

