

ODYSSEY

VENT-FREE GAS FIREPLACE SYSTEMS OUTDOOR





Odyssey fireplace with unitized ceramic fiber log set and White Stacked refractory panels

The pleasure of an outdoor fireplace, the contemporary look of stainless steel and easy installation come together in the elegant **Odyssey** Vent-Free Gas Fireplaces from Astria. The stainless steel exterior complements outdoor kitchens and furnishings and provides weather resistance for years of carefree enjoyment. The tall, dancing yellow flames produce warmth and comfort for any outdoor oasis. With this vent-free design, there is no need for a chimney to obstruct your outdoor view. The unitized, ceramic fiber log set with ember pod adds to the beauty and realism.

Options

Interior (Required)

Refractory panels



Bi-fold glass doors



White Stacked



White Herringbone

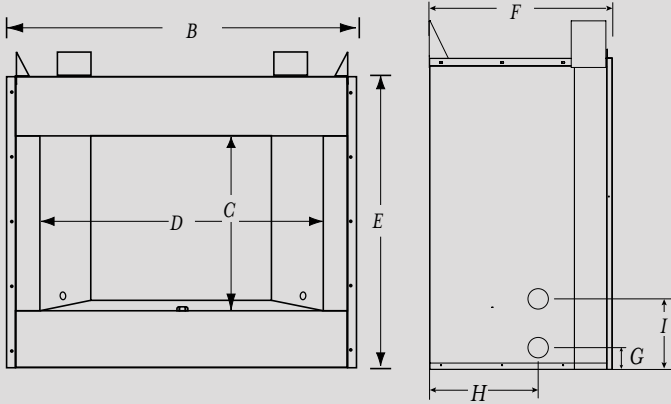
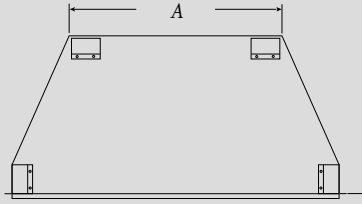
ADDITIONAL OPTIONS

- ◆ Drain pan
- ◆ Stainless steel hood
- ◆ Remote control/wall switch

STANDARD FEATURES

- ◆ Available in 36" and 42" radiant smooth-faced models
- ◆ Millivolt (Remote-ready) control
- ◆ Random, dancing yellow flames with deep glowing ember bed
- ◆ Unitized ceramic fiber lot set
- ◆ Refractory panels in two pattern choices
- ◆ Heavy duty stainless steel log grate and burner with concealed gas control valve
- ◆ Stainless steel screens retract into hidden screen pockets
- ◆ Optional drain pan available
- ◆ Stainless steel construction for long lasting outdoor use
- ◆ Limited Lifetime Warranty

APPLIANCE SPECIFICATIONS



	ODYSSEY 36	ODYSSEY 42
A	29"	36"
B	41"	48"
C	21"	24"
D	35"	42"
E	37"	41"
F	21"	23"
G	3-1/2"	3-1/2"
H	13-1/2"	13-1/2"
I	9-1/4"	9-1/4"

IMPORTANT NOTES:

As with any fireplace, this appliance is extremely hot during operation. Read and understand all operating instructions before using this appliance. For further information, consult your dealer.

Local conditions, such as elevation and choice of fuel will affect overall appearance of the fire and heating performance. Performance can also vary with home design and insulation, ceiling height, accessories chosen and appliance location.

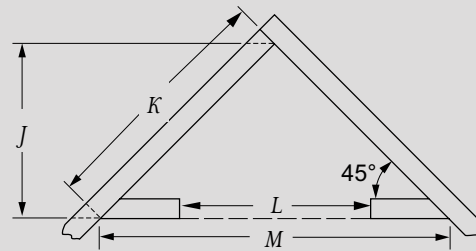
Diagrams, illustrations and photographs are not to scale — consult installation instructions. Product designs, materials, dimensions, specifications, colors and prices are subject to change or discontinuance without notice.

FRAMING SPECIFICATIONS

	ODYSSEY 36	ODYSSEY 42
WIDTH	44"	51"
HEIGHT	42-3/4"	46-1/2"
DEPTH	21"	23"

CORNER FRAMING SPECIFICATIONS

	ODYSSEY 36	ODYSSEY 42
J	37"	43"
K	52"	61"
L	44"	51"
M	74"	86"



FIREPLACE BTU OPERATING RANGE

MODEL	FUEL	BTU/HR
ODYSSEY 36	NG	28,000-41,000
ODYSSEY 36	LP	32,000-41,000
ODYSSEY 42	NG	32,000-47,000
ODYSSEY 42	LP	35,000-45,000

