

# ALLUME/ALLUMEDLX

## DIRECT-VENT FIREPLACES

### Framing Dimensions Standard Installation - Inches (millimeters)

60" Models	A	B	C	D	E	F
One Sided Framing	75-1/2 (1918)	19-1/2 (496)	54-3/4 (1391)	16 (407)	12 (305)	96 (2439)
See Thru Framing	75-1/2 (1918)	18-1/2 (469)	54-3/4 (1391)	16 (407)	12 (305)	96 (2439)

- SEETHRUKT-LIN60 (Required for See-Thru Installation)
- Two Jack Studs Located on the Front for One Sided Application
- Two Jack Studs Located Back and Front for See-Thru Application.

F. Minimum height from appliance base to ceiling

### Framing Dimensions with HeatFlo Kit Installation - Inches (millimeters)

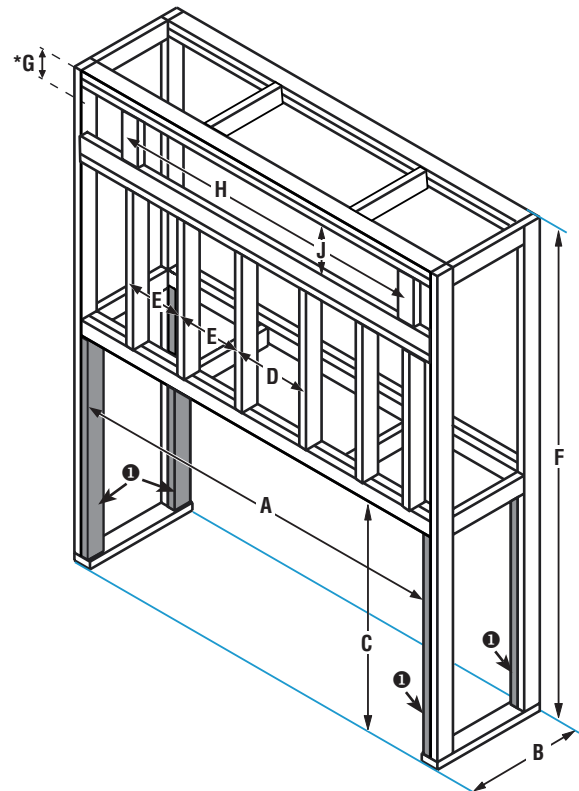
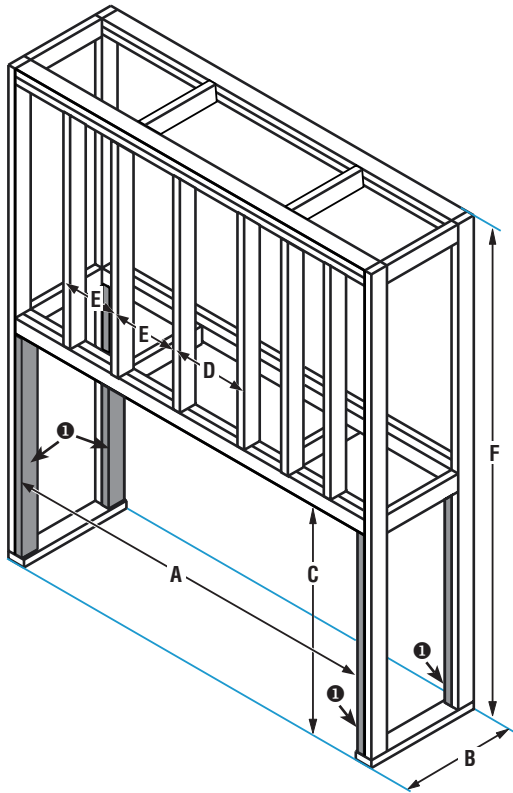
60" Models	A	B	C	D	E	F	*G	H	J
One Sided Framing	75-1/2 (1918)	19-1/2 (496)	54-3/4 (1391)	16 (407)	12 (305)	96 (2439)	6 (153)	64-1/4 (1632)	7-1/2 (191)
See Thru Framing	75-1/2 (1918)	18-1/2 (469)	54-3/4 (1391)	16 (407)	12 (305)	96 (2439)	6 (153)	64-1/4 (1632)	7-1/2 (191)

- HTFLO-LIN60 (Required for TV Installation)
- SEETHRUKT-LIN60 (Required for See-Thru Installation)
- Two Jack Studs Located on the Front for One Sided Application
- Two Jack Studs Located Back and Front for See-Thru Application.

F. Minimum height from appliance base to ceiling

\*G. Minimum Distance from Register Vent Opening to Ceiling

Framing Dimensions



*TVs should not be used in situations where the actual TV temperature exceeds the manufacturer's technical specification. Contact the TV manufacturer directly if you cannot locate this information or have questions regarding this information.*

# ALLUME/ALLUMEDLX

**Framing Dimensions with HeatFlo Kit for Recessed Wall Pocket TV Installation One Sided & See-Thru Application - Inches (millimeters)**

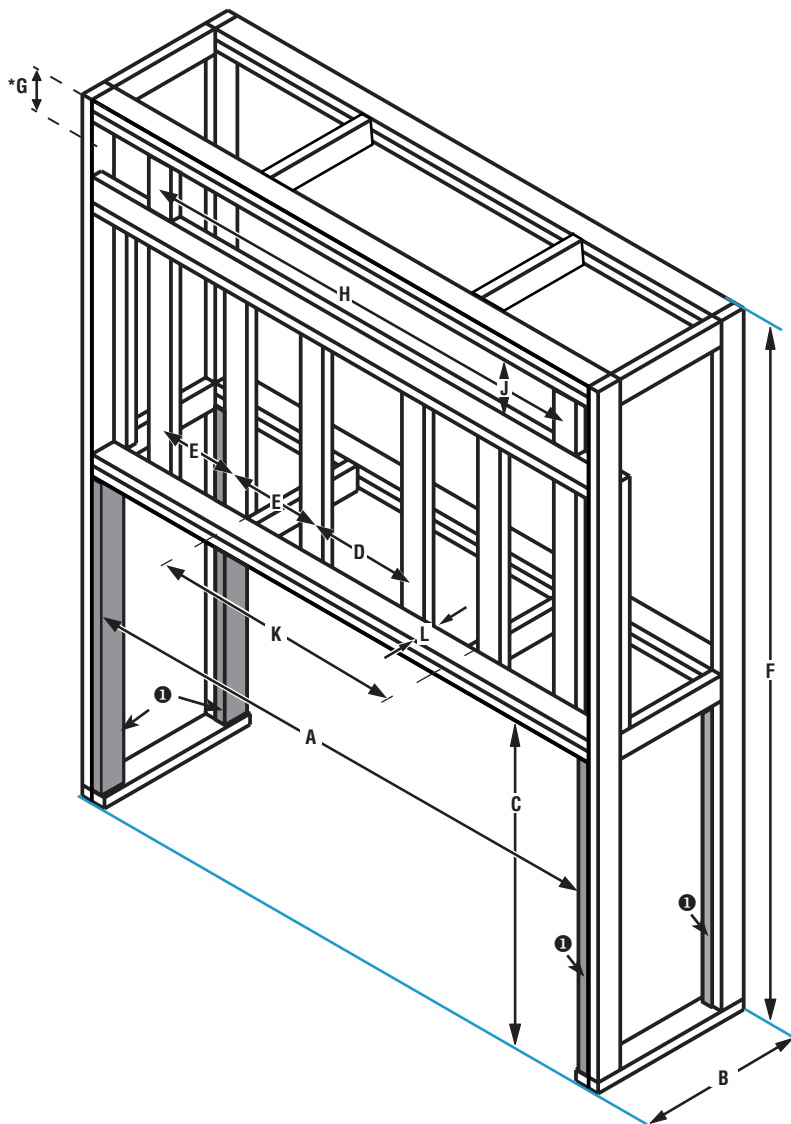
60" Models	A	B	C	D	E	F	*G	H	J	K	L
<b>One Sided Framing</b>	75-1/2 (1918)	19-1/2 (496)	44-3/4 (1137)	16 (407)	12 (305)	96 (2439)	6 (153)	64-1/4 (1632)	7-1/2 (191)	36-1/2 (928)	3-1/2 (89)
<b>See Thru Framing</b>	75-1/2 (1918)	18-1/2 (470)	44-3/4 (1137)	16 (407)	12 (305)	96 (2439)	6 (153)	64-1/4 (1632)	7-1/2 (191)	36-1/2 (928)	3-1/2 (89)

- HTFLO-LIN60 (Required for TV Installation)
- SEETHRUKT-LIN60 (Required for See-Thru Installation)
- Two Jack Studs Located on the Front for One Sided Application
- Two Jack Studs Located Back and Front for See-Thru Application.

F. Minimum height from appliance base to ceiling

\*G. Minimum Distance from Heat Register Vent Opening to Ceiling

Framing Dimensions Continued



**TVs should not be used in situations where the actual TV temperature exceeds the manufacturer's technical specification. Contact the TV manufacturer directly if you cannot locate this information or have questions regarding this information.**

*Diagrams, illustrations and photographs are not to scale. Consult installation instructions. Product designs, materials, dimensions, specifications, colors, and prices are subject to change or discontinuance without notice.*

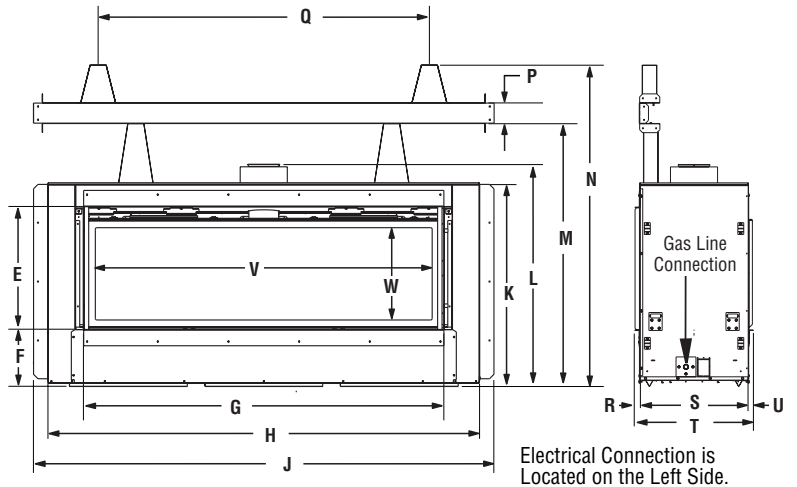
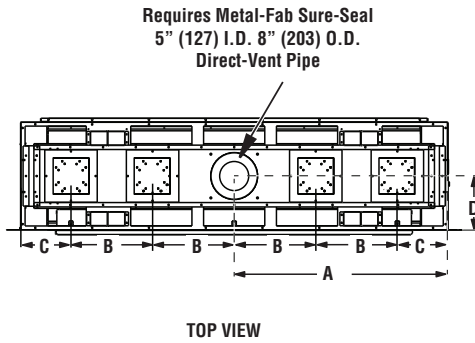
# ALLUME/ALLUMEDLX

60" Fireplace Dimensions

A	B	C	D	E	F	G	H	J	K	L	M	N
36-5/8 (931)	14 (356)	8-5/8 (219)	9-3/8 (239)	20-7/8 (531)	9-3/4 (248)	61-1/4 (1556)	73-1/4 (1861)	78-1/4 (1988)	34-3/8 (874)	37-3/4 (959)	44-5/8 (1134)	54-5/8 (1388)
P	Q	R	S	T	U	V	W					
3-1/2 (89)	43-1/2 (1105)	3/4 (19)	18-1/2 (470)	19-1/4 (489)	5/8 (16)	57-1/8 (1451)	15-1/2 (394)					

Inches (millimeters)

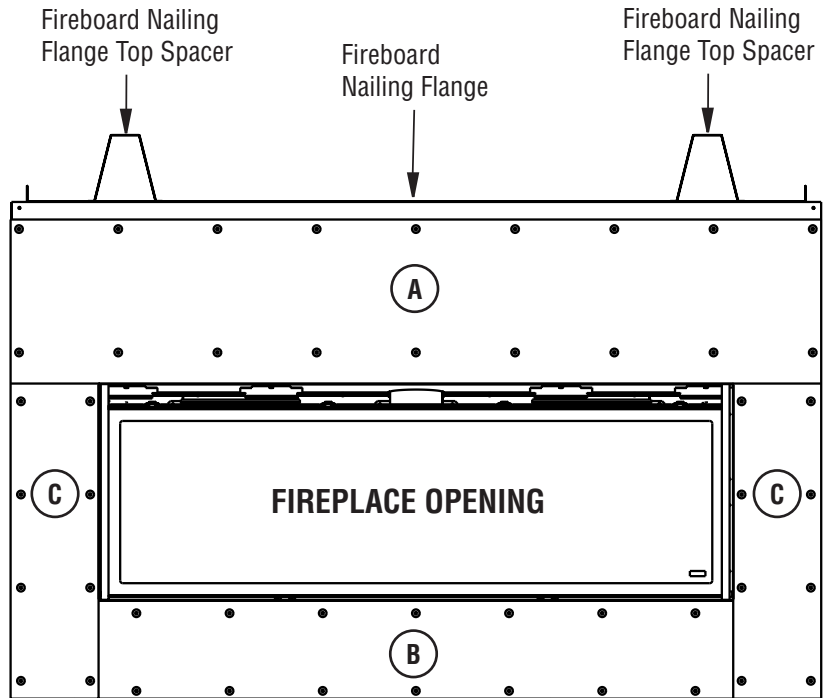
Fireplace Dimensions



Concrete Fireboard Installed

	Description
A	Fireboard, Top (1/2" x 78-3/8" x 15-7/8")
B	Fireboard, Bottom (1/2" x 61-3/8" x 9-1/2")
C	Fireboard, Side (1/2" x 30-1/2" x 8-1/2")

**Note:** Use 1" Self Drill Bugle Drywall Screws to Install Non-Combustible Fireboard. (Supplied)



# ALLUME/ALLUMEDLX

Product Info

Cat. No.	Model	Weight	Cu. Ft.
F3712	ALLUME60TEN	452 lbs.	52.5
F3713	ALLUMEDLX60TEN	467 lbs.	52.5

Models		Input Rate (BTU/HR)	
		Natural Gas	Propane (Field Converted)
ALLUME60TEN	High	47,000	41,000
	Low	N/A	N/A
ALLUMEDLX60TEN	High	47,000	41,000
	Low	32,000	32,000

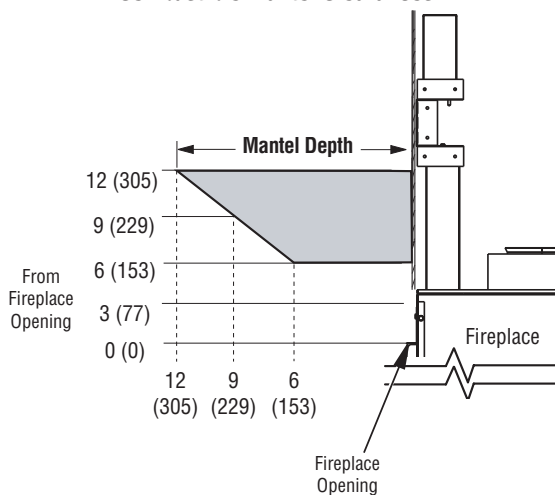
Listing



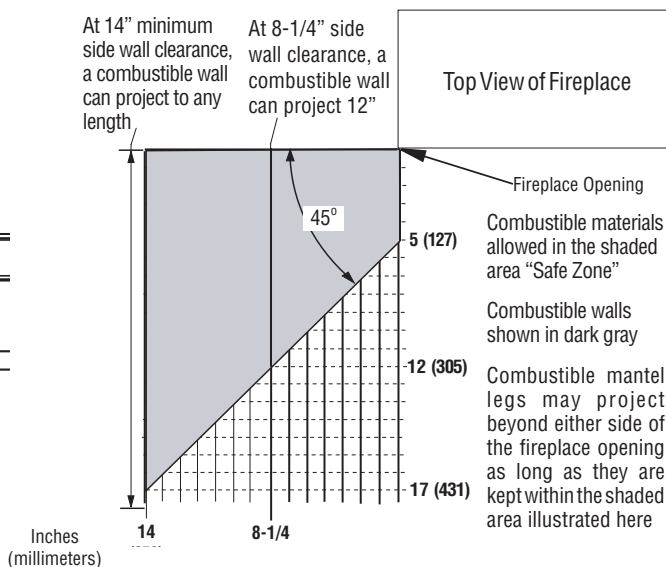
Listed by PFS TECO to - ANSI Z21.88 (in Canada, CSA-2.33), and CAN/CGA-2.17-M91 in both USA and Canada, as a vented gas fireplace heaters.

Clearances

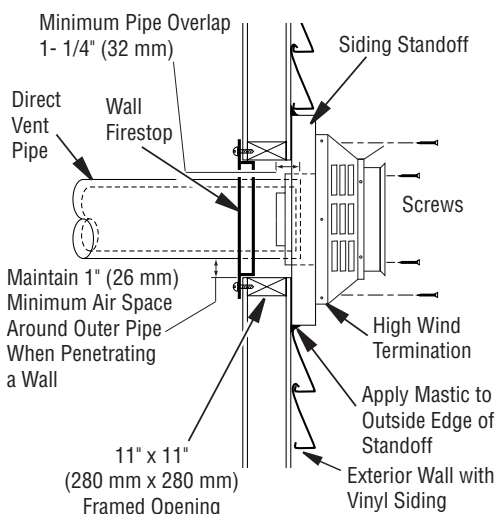
## Combustible Mantel Clearances



## Side Wall Clearance

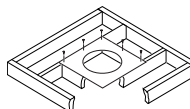


## Horizontal Termination

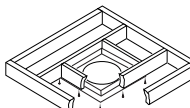


## Firestop

If area above is an attic or insulated area, install firestop above framed hole.

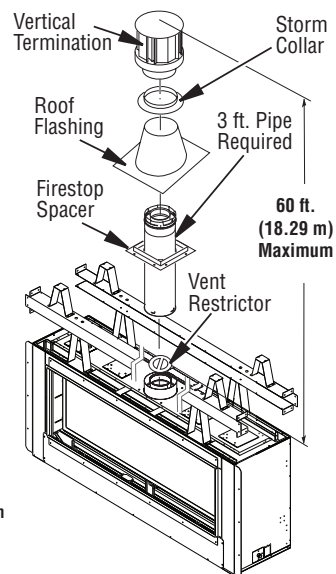


If area above is a living space, install firestop below framed hole.



Uses 5" / 8" Metal-Fab Sure-Seal Direct Vent Pipe components and terminations.  
\* Longer vent runs are allowed with power vent kit in place.

## Vertical Termination



Venting

NOTE: DIAGRAMS & ILLUSTRATIONS ARE NOT TO SCALE.  
Printed in U.S.A. © 2018 Innovative Hearth Products  
P/N 900910-00 REV. B 08/2019

Specifications and clearances are subject to change without notice.  
Refer to Installation Manual before installation of these appliances for updated dimensions and instructions.

Page 4 of 4