



STANDARD FEATURES

- ◆ 43" front open linear configuration

- ◆ See through conversion kits with tempered glass available to transform the fireplace into a see through model or indoor/outdoor see through model

- ◆ Gas controls are conveniently hidden in the fireplace floor

- ◆ Electronic ignition with battery backup to operate in the event of a power outage

- ◆ Active, dancing flames help to accentuate the ambiance in any room

- ◆ Three flame settings for precise heat control

- ◆ Clean-face design features ceramic glass for optimum heat transfer and a protective screen*

- ◆ Three-piece black porcelain interior liners

- ◆ Mood enhancing fireplace interior lighting, with six distinctive illumination settings

- ◆ Optional decorative face trim in three designer options

- ◆ Deluxe remote control (Flame, lighting, IPI/CPI)

- ◆ Now uses IHP SV4.5 vent pipe

- ◆ Limited Lifetime Warranty

*All applicable models comply with ANSI Z21.50/88 barrier requirements.

DECORATIVE FACE TRIM (Optional)



Aged Silver



Aged Copper



Black

GLASS MEDIA (Choose One)



Clear (standard)



Blue



Amber



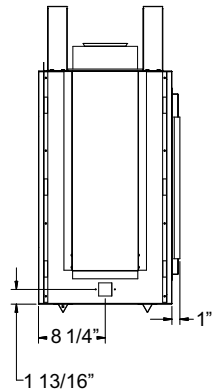
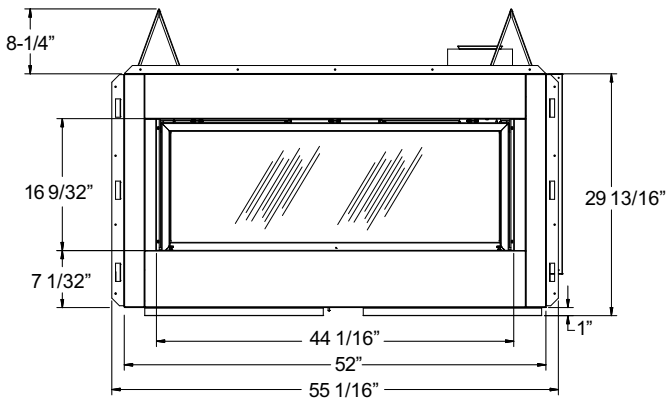
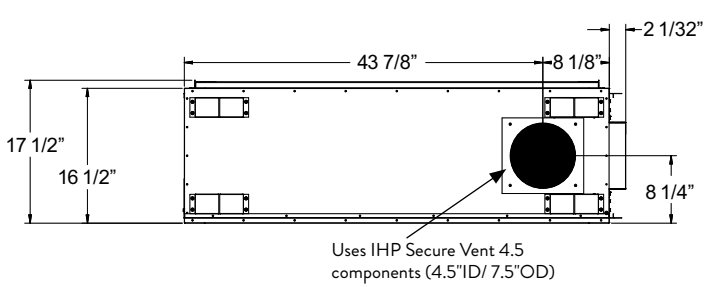
Green



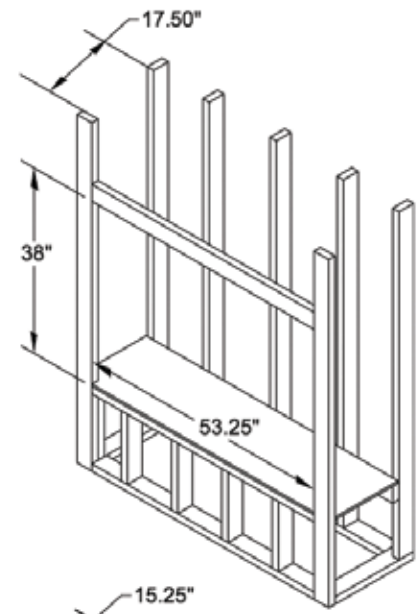
Speckled Orange

APPLIANCE SPECIFICATIONS

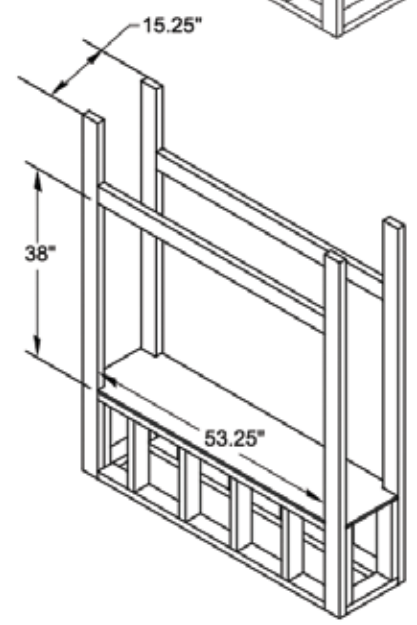
FLAT WALL FRAMING SPECIFICATIONS



ONE SIDED APPLICATION



SEETHROUGH APPLICATION



IMPORTANT NOTES:

As with any fireplace, this appliance is extremely hot during operation. Read and understand all operating instructions before using this appliance. For further information, consult your dealer.

Local conditions, such as elevation, wind, vent configuration and choice of fuel will affect overall appearance of the fire and heating performance. Performance can also vary with home design and insulation, climate, condition and type of fuel used, appliance location, burn rate, accessories chosen, chimney installation and how the appliance is operated.

DIAGRAMS, ILLUSTRATIONS AND PHOTOGRAPHS ARE NOT TO SCALE—CONSULT INSTALLATION INSTRUCTIONS. PRODUCT DESIGNS, MATERIALS, DIMENSIONS, SPECIFICATIONS, COLORS AND PRICES ARE SUBJECT TO CHANGE OR DISCONTINUANCE WITHOUT NOTICE.

FIREPLACE EFFICIENCIES – Listed to ANSI Z21.50 as a decorative gas appliance.

MODEL	FUEL	BTU/HR	AFUE*
VENICE LIGHTS 43	NG	22,000-35,000	45.91%
VENICE LIGHTS 43	LP	24,000-33,000	42.15%

*Annual Fuel Utilization Efficiency (AFUE) is the recognized U.S. rating system for the total efficiency of heating products.



© 2018 Innovative Hearth Products

Visit us online
Astria.us.com

