



STANDARD FEATURES

- ◆ Available in 33", 35", 40" and 45" clean-faced models
- ◆ Dedicated top or rear flue configuration (45" model is a combo top/rear)
- ◆ Electronic ignition with seamless battery backup operation in the event of a power outage
- ◆ Beautiful flame that rises through reflective black crushed glass media
- ◆ Outstanding heating efficiency for increased comfort and lower operating costs
- ◆ Standard tempered glass and a protective screen*
- ◆ Black painted interior
- ◆ Durable textured powder coat finish
- ◆ Optional blower and remote controls available for all models
- ◆ Limited Lifetime Warranty

GLASS MEDIA (Choose One)



Reflective Black (standard)



Reflective Blue



Copper

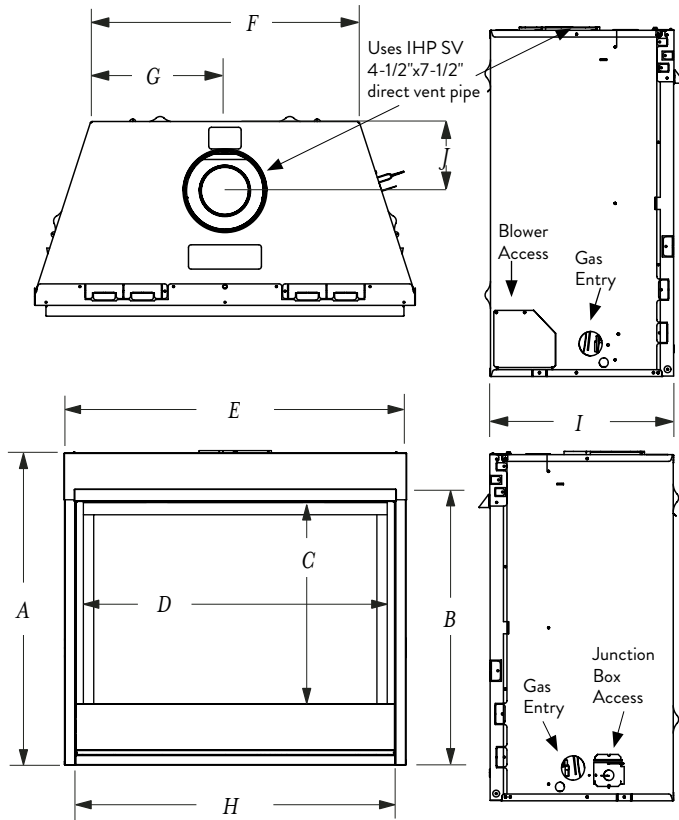


Goldfinger



Platinum

APPLIANCE SPECIFICATIONS



	ARIES CD 33	ARIES CD 35	ARIES CD 40	ARIES CD 45
A	30-1/8"	32-1/8"	37-1/8"	37-1/8"
B	26-1/4"	28-3/4"	33-1/4"	33-1/4"
C	18-5/16"	22-1/4"	27-1/4"	27-1/4"
D	30-1/2"	32-3/8"	37-3/8"	42-3/8"
E	33-5/8"	35-1/4"	40-1/4"	45-1/4"
F	21-7/8"	25"	30"	35"
G	10-15/16"	12-1/2"	15"	17-1/2"
H	31"	32-7/8"	37-7/8"	42-7/8"
I	14"	17"	17"	17"
J	5-3/4"	6-7/8"	6-7/8"	6-7/8"

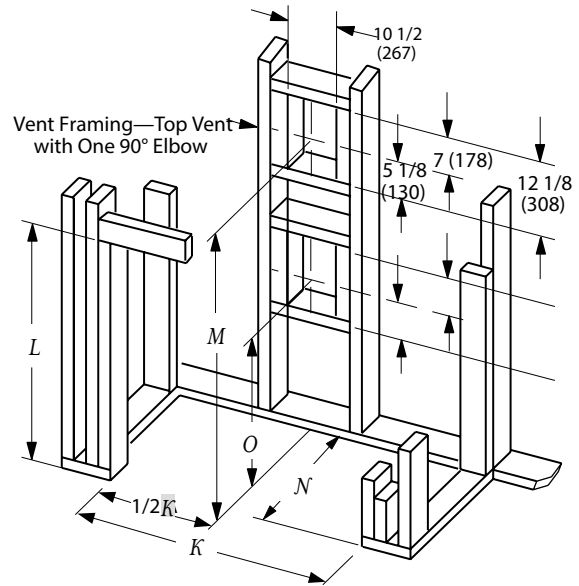
IMPORTANT NOTES:

As with any fireplace, this appliance is extremely hot during operation. Read and understand all operating instructions before using this appliance. For further information, consult your dealer.

Local conditions, such as elevation, wind, vent configuration and choice of fuel will affect overall appearance of the fire and heating performance. Performance can also vary with home design and insulation, climate, condition and type of fuel used, appliance location, burn rate, accessories chosen, chimney installation and how the appliance is operated.

Diagrams, illustrations and photographs are not to scale—consult installation instructions. Product designs, materials, dimensions, specifications, colors and prices are subject to change or discontinuance without notice.

FLAT WALL FRAMING SPECIFICATIONS



	ARIES CD 33	ARIES CD 35	ARIES CD 40	ARIES CD 45
K	33-3/4"	35-3/8"	40-3/8"	45-3/8"
L	34-1/4"*	36-1/4"*	41-1/4"*	41-1/4"*
M	36-7/8"	38-3/4"	43-3/4"	43-3/4"
N	14-1/2"	18"	18"	18"
O	19-5/8"	23-3/8"	28-1/4"	28-1/4"

* Includes 4" for fold-up standoffs

FIREPLACE EFFICIENCIES

MODEL	FUEL	BTU/HR	AFUE**	P4/ENERGUIDE*
ARIES CD 33	NG	12,000	64%	60.4%/64.8%
ARIES CD 33	LP	10,000	64%	60.4%/64.8%
ARIES CD 35	NG	15,000	65.5%	61.0%/65.0%
ARIES CD 35	LP	12,000	65.5%	61.0%/65.0%
ARIES CD 40	NG	16,000	65.5%	62.0%/65.0%
ARIES CD 40	LP	15,000	65.5%	62.0%/65.0%
ARIES CD 45	NG	20,000	65%	63.0%/66.0%
ARIES CD 45	LP	19,000	65%	63.0%/66.0%

*Intermittent ignition systems.

**Annual Fuel Utilization Efficiency (AFUE) is the recognized U.S. rating system for the total efficiency of heating products.

astria
FIREPLACES®

© 2018 Innovative Hearth Products

Visit us online
Astria.us.com

PFS®
C US
Report #F13-094

