



## STANDARD FEATURES

- ◆ Circulating louvered design features ceramic glass for optimum heat transfer (optional clean-face kit available)

---

- ◆ EPA phase II certified and Washington State approved wood heater

---

- ◆ 3.8 cubic foot insulated firebox that accepts up to 20" log size for increased performance

---

- ◆ White herringbone textured refractory panels with integrated ash lip and decorative cast iron log retainer

---

- ◆ Air combustion control for variable heat output with air boost for faster wood ignition during startup

---

- ◆ Catalytic combustor for maximum performance with bypass control

---

- ◆ Includes insulated outside air kit (required for use)

---

- ◆ 75% thermal efficiency and heats up to 2,500 square feet\*

---

- ◆ Efficient air wash system that keeps glass clean

---

- ◆ Cast iron door with heat resistant door handle that stays cool to the touch

---

- ◆ Optional heat activated 200 CFM UZY-5 variable speed blower for time-delayed heat distribution

---

- ◆ Dual ducted gravity kit (required when using clean-face kit) and/or thermostatically controlled forced air kit available (three maximum outlets)

---

- ◆ Durable high temperature paint finish

---

- ◆ Uses SCIL (ACBI) 7" air cooled wood burning chimney

---

- ◆ Uses SCIL (ASHT / HT6103 / S-2100 / HT6000) 7" insulated wood burning chimney

---

- ◆ Limited Lifetime Warranty

## DECORATIVE GRILLS (Optional)



*Del Sol*



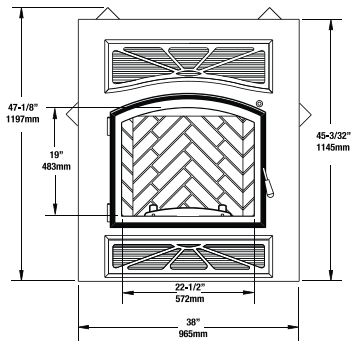
*Diamante*



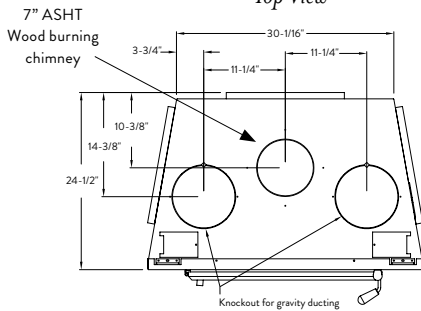
*Strada*

# APPLIANCE SPECIFICATIONS

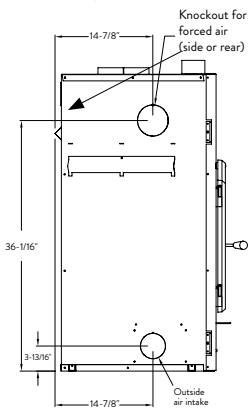
Front View



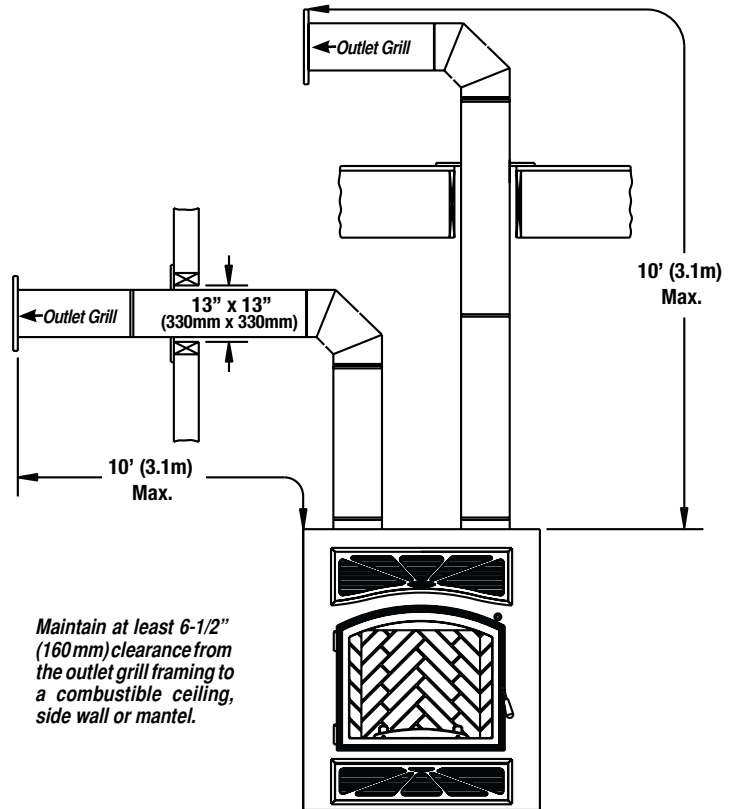
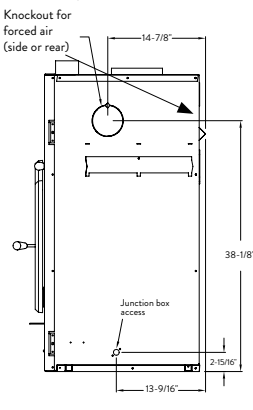
Top View



Left Side View



Right Side View



## PRODUCT SPECIFICATIONS

Glass Viewing Area (W x H)	22-1/2" x 19"
Firebox Interior (W x H x D+)	22" x 20" x 15"
Interior Cubic Feet	3.8
Maximum Log Size	20"
Chimney Size	7"
EPA Rating	4.0 grams/hr
BTU's	70,000
Heating Capacity (up to)	2,500 sq. ft.
Thermal Efficiency	75%
Blower	200 CFM
Weight	403 lbs.

+Measured in front of door

**astria**  
FIREPLACES®

© 2018 Innovative Hearth Products

Visit us online  
Astria.us.com

**PFS**  
C US  
Report #F14-197

