



STANDARD FEATURES

- ◆ Available in 36" and 42" radiant (clean-face) models
- ◆ Dual tube burner uses 6" b-vent
- ◆ Millivolt (Remote-ready) or electronic ignition
- ◆ Dramatic yellow flames with glowing ember bed
- ◆ Detailed ceramic fiber "split oak" log set with log grate
- ◆ Two interior options (white stacked refractory panels or white herringbone refractory panels)
- ◆ Screens retract into hidden screen pockets
- ◆ Hidden gas controls with damper safety switch
- ◆ Durable textured powder coat finish
- ◆ Optional outside air kit for increased performance
- ◆ Optional blower and remote controls available for all models
- ◆ Dual access pre-wired electrical J-box
- ◆ Lifetime limited warranty

LINERS (Choose One)

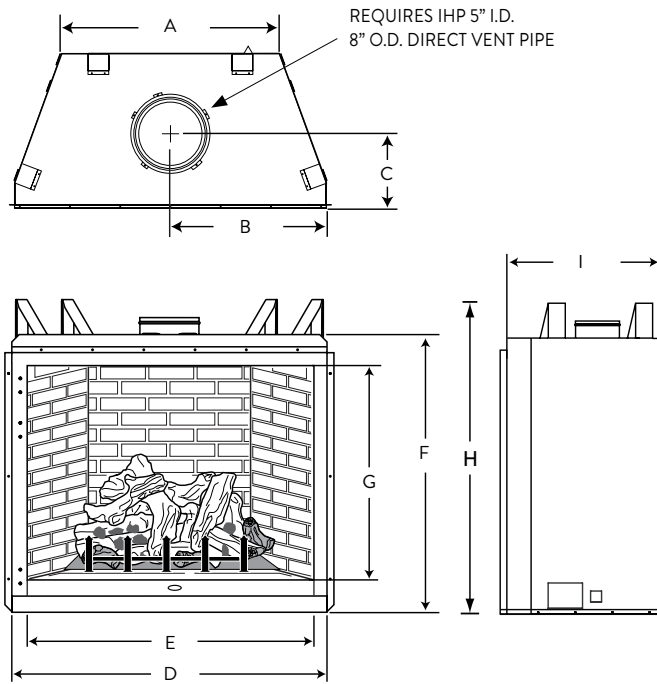


White Stacked



White Herringbone

APPLIANCE SPECIFICATIONS



	DEVONSHIRE 36	DEVONSHIRE 42
A	29-1/8"	34-3/4"
B	20-1/2"	24"
C	11-7/8"	13-5/8"
D	41"	48"
E	35"	42"
F	40"	44"
G	30"	33-3/4"
H	44"	48"
I	21-1/8"	25-1/8"

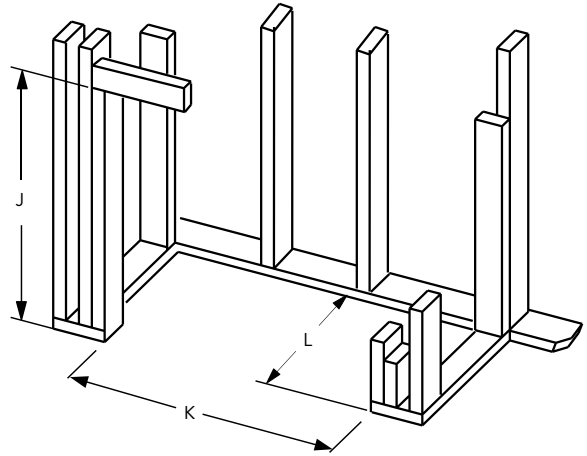
IMPORTANT NOTES:

As with any fireplace, this appliance is extremely hot during operation. Read and understand all operating instructions before using this appliance. For further information, consult your dealer.

Local conditions, such as elevation, wind, vent configuration and choice of fuel will affect overall appearance of the fire and heating performance. Performance can also vary with home design and insulation, climate, condition and type of fuel used, appliance location, burn rate, accessories chosen, chimney installation and how the appliance is operated.

DIAGRAMS, ILLUSTRATIONS AND PHOTOGRAPHS ARE NOT TO SCALE—CONSULT INSTALLATION INSTRUCTIONS. PRODUCT DESIGNS, MATERIALS, DIMENSIONS, SPECIFICATIONS, COLORS AND PRICES ARE SUBJECT TO CHANGE OR DISCONTINUANCE WITHOUT NOTICE.

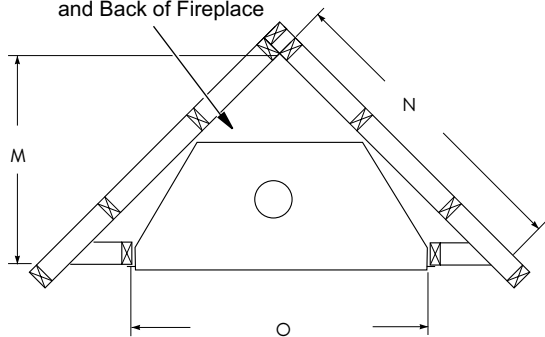
FLAT WALL FRAMING SPECIFICATIONS



	DEVONSHIRE 36	DEVONSHIRE 42
J	44"	48"
K	41-1/2"	48-1/8"
L	22-1/8"	26-1/8"

CORNER FRAMING SPECIFICATIONS

Maintain 1" Clearance at Sides and Back of Fireplace



	DEVONSHIRE 36	DEVONSHIRE 42
M	36-3/8"	43-3/8"
N	51-3/8"	61-3/4"
O	41-1/2"	48-1/2"

FIREPLACE EFFICIENCIES – Listed to ANSI Z21.50 as a decorative gas appliance.

MODEL	FUEL	BTU/HR	P4 / ENERGUIDE*
DEVONSHIRE 36	NG	30,000/46,000	53.0%
DEVONSHIRE 36	LP	25,000/41,000	53.85%
DEVONSHIRE 42	NG	30,000/56,000	44.83%
DEVONSHIRE 42	LP	27,500/50,000	47.29%

*Intermittent ignition systems.

astria
FIREPLACES®

© 2018 Innovative Hearth Products

Visit us online
Astria.us.com

PFS
C  US
Report #F09-099

