



STANDARD FEATURES

- ◆ Available in 36" and 42" models
- ◆ Conveniently located gas controls for easy installation and operation
- ◆ Energy saving electronic controls with seamless battery backup provide continued operation in the event of a power outage
- ◆ Clean-face design allows more flexibility for a custom look
- ◆ Tall opening provides an exceptional view of the flame
- ◆ Multi-level burner produces tall, dancing flames with beautiful ember bed
- ◆ Standard tempered glass and a protective screen*
- ◆ Ceramic fiber log set with cast-iron grate
- ◆ High definition refractory panels available in two styles
- ◆ Includes on/off remote control
- ◆ Limited Lifetime Warranty

*All applicable models comply with ANSI Z21.50/88 barrier requirements.

LINERS (Choose One)

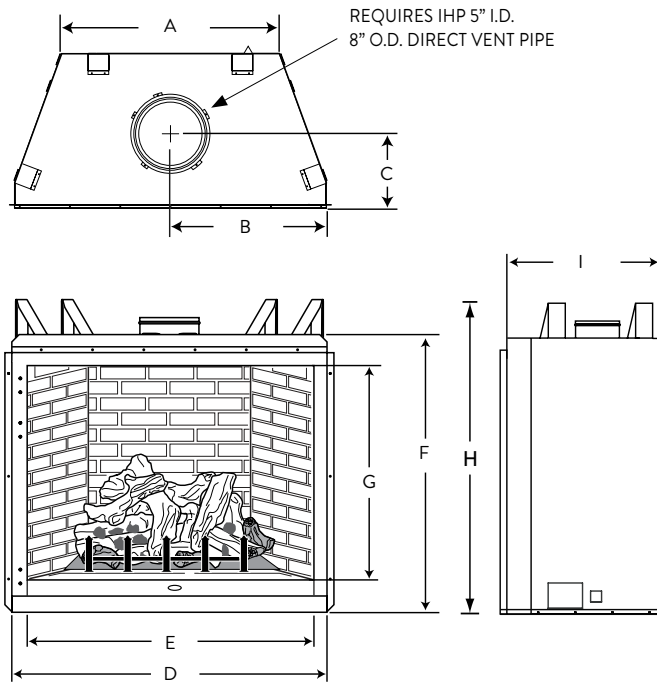


White Stacked



White Herringbone

APPLIANCE SPECIFICATIONS



	SENTINEL 36	SENTINEL 42
A	29-1/8"	34-3/4"
B	20-1/2"	24"
C	11-7/8"	13-5/8"
D	41"	48"
E	35"	42"
F	40"	44"
G	30"	33-3/4"
H	44"	48"
I	21-1/8"	25-1/8"

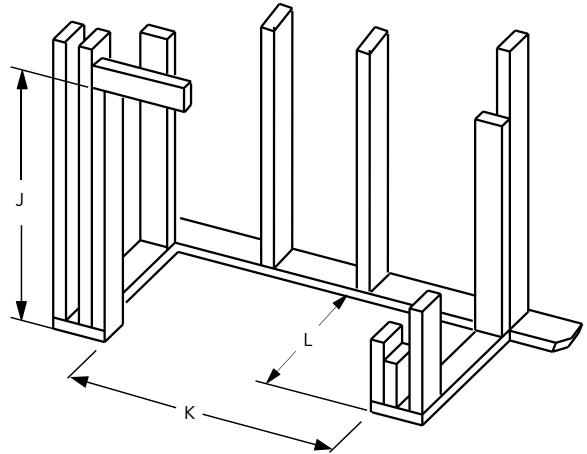
IMPORTANT NOTES:

As with any fireplace, this appliance is extremely hot during operation. Read and understand all operating instructions before using this appliance. For further information, consult your dealer.

Local conditions, such as elevation, wind, vent configuration and choice of fuel will affect overall appearance of the fire and heating performance. Performance can also vary with home design and insulation, climate, condition and type of fuel used, appliance location, burn rate, accessories chosen, chimney installation and how the appliance is operated.

DIAGRAMS, ILLUSTRATIONS AND PHOTOGRAPHS ARE NOT TO SCALE—CONSULT INSTALLATION INSTRUCTIONS. PRODUCT DESIGNS, MATERIALS, DIMENSIONS, SPECIFICATIONS, COLORS AND PRICES ARE SUBJECT TO CHANGE OR DISCONTINUANCE WITHOUT NOTICE.

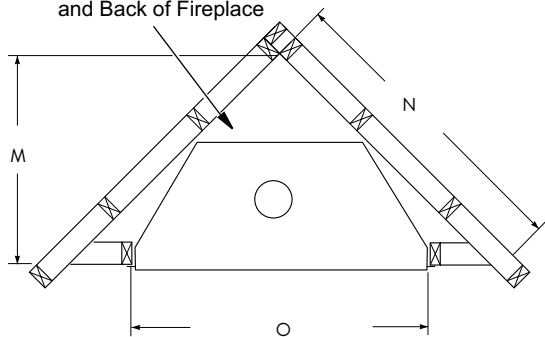
FLAT WALL FRAMING SPECIFICATIONS



	SENTINEL 36	SENTINEL 42
J	44"	48"
K	41-1/2"	48-1/8"
L	22-1/8"	26-1/8"

CORNER FRAMING SPECIFICATIONS

Maintain 1" Clearance at Sides and Back of Fireplace



	SENTINEL 36	SENTINEL 42
M	36-3/8"	43-3/8"
N	51-3/8"	61-3/4"
O	41-1/2"	48-1/2"

FIREPLACE EFFICIENCIES – Listed to ANSI Z21.50 as a decorative gas appliance.

MODEL	FUEL	BTU/HR	P4 / ENERGUIDE*
SENTINEL 36	NG	33,500	34.35%
SENTINEL 36	LP	31,000	32.45%
SENTINEL 42	NG	41,000	24.67%
SENTINEL 42	LP	37,000	22.79%

*Intermittent ignition systems.

astria
FIREPLACES®

© 2018 Innovative Hearth Products

Visit us online
Astria.us.com

PFS
C  US
Report #F09-099

