



## STANDARD FEATURES

- ◆ Circulating design features ceramic glass for optimum heat transfer (required option louver kit or clean-face kit)
- ◆ EPA phase II certified and Washington State approved wood heater
- ◆ 2.0 cubic foot insulated firebox that accepts up to 19" log size for increased performance
- ◆ White smooth refractory panels with integrated ash lip and decorative cast iron log retainer
- ◆ Air combustion control for variable heat output with air boost for faster wood ignition during startup
- ◆ Includes insulated outside air kit (required for use)
- ◆ 86.6% thermal efficiency and heats up to 1,500 square feet\*
- ◆ Efficient air wash system that keeps glass clean
- ◆ Steel door with heat resistant door handle that stays cool to the touch
- ◆ Includes heat activated 175 CFM UZY-6 variable speed blower for time-delayed heat distribution
- ◆ Dual ducted gravity kit (required when using clean-face kit) and/or thermostatically controlled forced air kit available (three maximum outlets)
- ◆ Durable high temperature paint finish
- ◆ Uses SCIL (ACBI) 6" air cooled wood burning chimney
- ◆ Uses SCIL (ASHT / HT6103 / S-2100 / HT6000) 6" insulated wood burning chimney
- ◆ Lifetime Limited Warranty

## DOOR (Required)



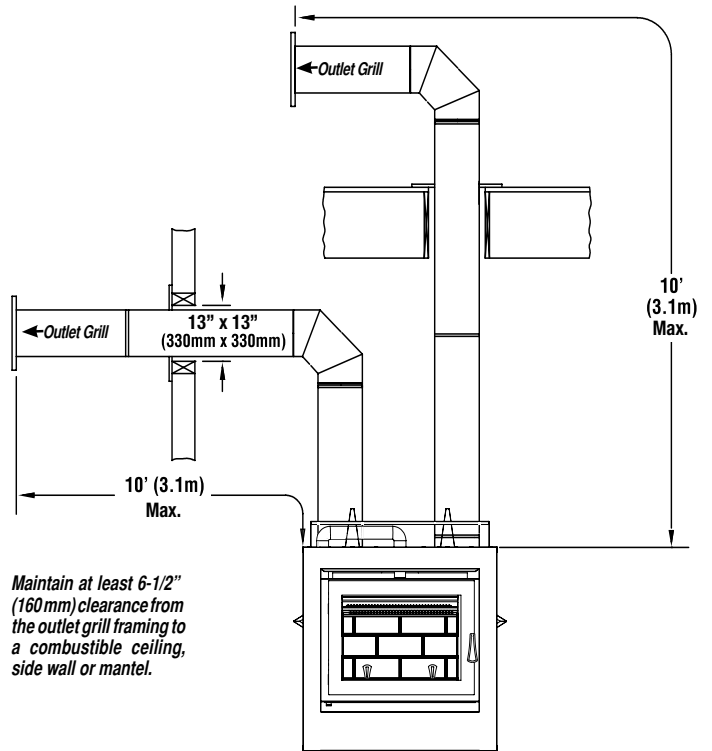
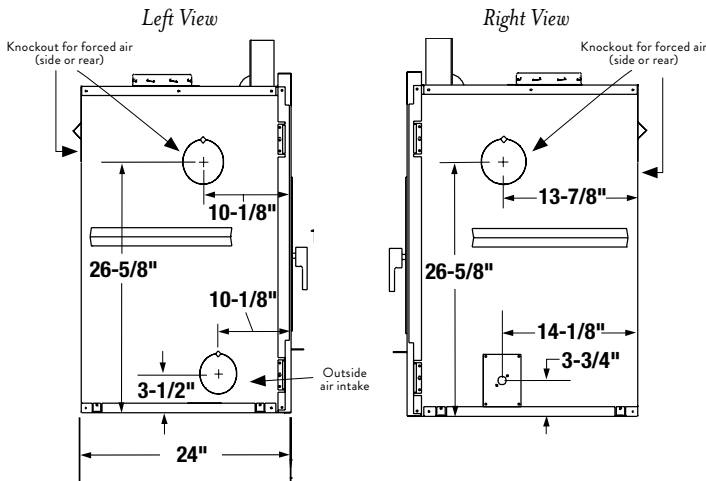
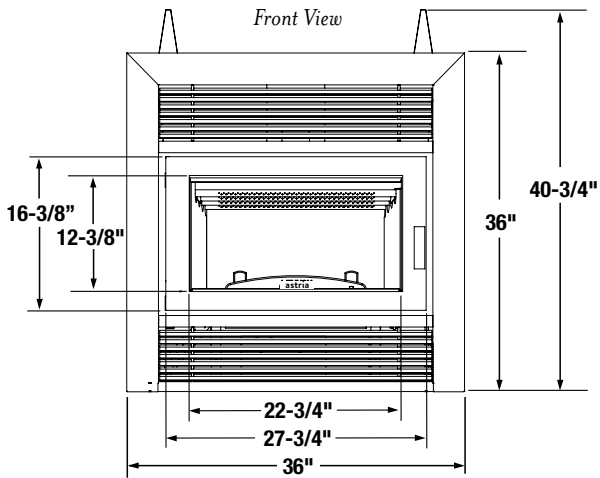
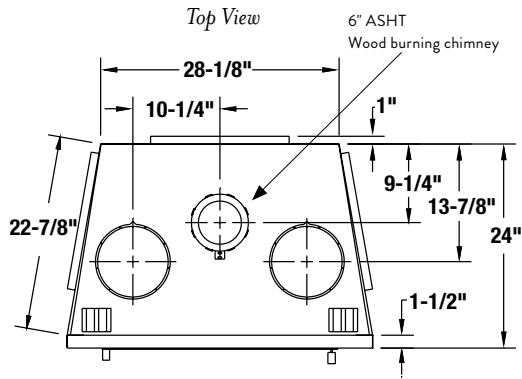
Square Pane

## BRICK



White Textured Stacked Panels

# APPLIANCE SPECIFICATIONS



Maintain at least 6-1/2" (160mm) clearance from the outlet grill framing to a combustible ceiling, side wall or mantel.

## PRODUCT SPECIFICATIONS

Glass Viewing Area (W x H)	22-1/2" x 12-1/4"
Firebox Interior (W x H x D+)	22" x 11-3/4" x 12"
Interior Cubic Feet	2.0
Maximum Log Size	19"
Chimney Size	6"
EPA Rating	3.7 grams/hr
BTU's	55,000
Heating Capacity (up to)	1,500 sq. ft.
Thermal Efficiency	86.6%
Blower	175 CFM
Weight	278 lbs.

+Measured in front of door

### IMPORTANT NOTES:

As with any fireplace, this appliance is extremely hot during operation. Read and understand all operating instructions before using this appliance. For further information, consult your dealer.

Local conditions, such as elevation, wind, vent configuration and choice of fuel will affect overall appearance of the fire and heating performance. Performance can also vary with home design and insulation, climate, condition and type of fuel used, appliance location, burn rate, accessories chosen, chimney installation and how the appliance is operated.

Diagrams, illustrations and photographs are not to scale—consult installation instructions. Product designs, materials, dimensions, specifications, colors and prices are subject to change or discontinuance without notice.

