



## STANDARD FEATURES

- ◆ Circulating design features facade, arch door and ceramic glass for optimum heat transfer
- ◆ EPA phase II certified and Washington State approved wood heater
- ◆ 2.0 cubic foot insulated firebox that accepts up to 19" log size for increased performance
- ◆ White stacked textured refractory panels with integrated ash lip and decorative cast iron log retainer
- ◆ Air combustion control for variable heat output with air boost for faster wood ignition during startup
- ◆ Includes insulated outside air kit (required for use)
- ◆ 86.6% Thermal efficiency and heats up to 1,500 square feet\*
- ◆ Efficient air wash system that keeps glass clean
- ◆ Cast or steel door available with heat resistant door handle that stays cool to the touch
- ◆ Includes heat activated 200 CFM UZY-5 variable speed blower for time-delayed heat distribution
- ◆ Dual ducted gravity kit and/or thermostatically controlled forced air kit available (three maximum outlets)
- ◆ Durable high temperature paint finish
- ◆ Uses SCIL (ACBI) 6" air cooled wood burning chimney
- ◆ Uses SCIL (ASHT / HT6103 / S-2100 / HT6000) 6" insulated wood burning chimney
- ◆ Limited Lifetime Warranty

## DOORS (Optional)



*Hammered-Steel*



*Smooth*

## FACADE (Required)



*Hammered-Steel*



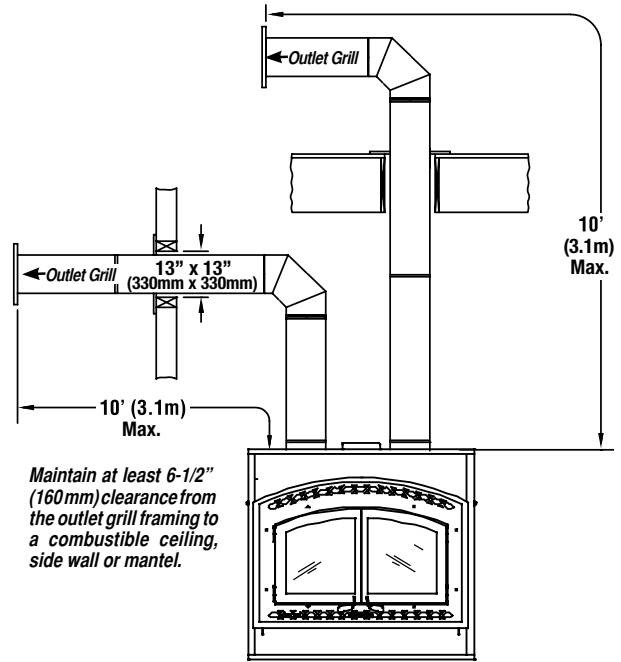
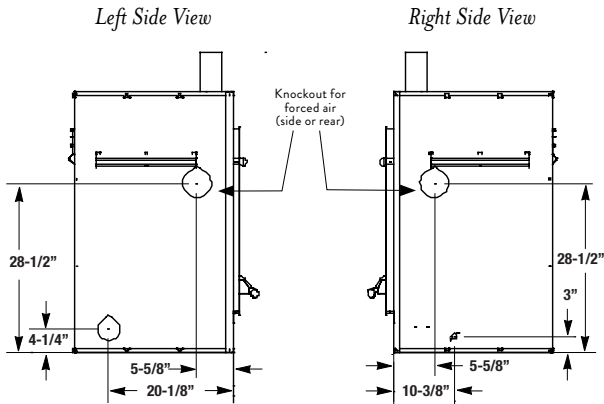
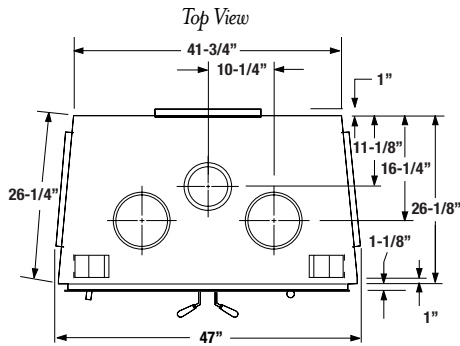
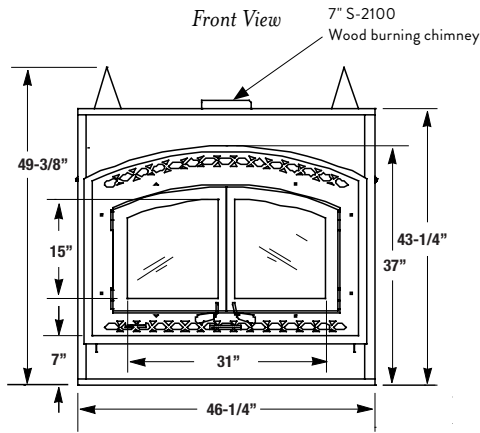
*Smooth*

## BRICK



*White Textured Stacked Panels*

# APPLIANCE SPECIFICATIONS



## PRODUCT SPECIFICATIONS

Glass Viewing Area (W x H)	31" x 15"
Firebox Interior (W x H x D+)	31" x 14-1/2" x 14"
Interior Cubic Feet	4.0
Maximum Log Size	30"
Chimney Size	7"
EPA Rating	1.3 grams/hr
Max BTU's	80,000
Heating Capacity (up to)	2,500 sq. ft.
Thermal Efficiency	70%
Blower	350 CFM
Weight	520 lbs.

+Measured in front of doors

### IMPORTANT NOTES:

As with any fireplace, this appliance is extremely hot during operation. Read and understand all operating instructions before using this appliance. For further information, consult your dealer.

Local conditions, such as elevation, wind, vent configuration and choice of fuel will affect overall appearance of the fire and heating performance. Performance can also vary with home design and insulation, climate, condition and type of fuel used, appliance location, burn rate, accessories chosen, chimney installation and how the appliance is operated.

Diagrams, illustrations and photographs are not to scale—consult installation instructions. Product designs, materials, dimensions, specifications, colors and prices are subject to change or discontinuance without notice.

astria  
FIREPLACES®

© 2018 Innovative Hearth Products

Visit us online  
Astria.us.com

PFS  
C US  
Report #F14-198

