



## STANDARD FEATURES

- ◆ Available in 42" and 54" linear configured models

---

- ◆ Gas controls are conveniently hidden in the fireplace floor

---

- ◆ Electronic ignition with battery backup to operate in the event of a power outage

---

- ◆ Exclusive Infini-Flame™ technology provides a continuous band of tranquil flames across the expansive viewing area

---

- ◆ Six flame settings with up to a 30% turn down for precise heat control

---

- ◆ 70.2% industry leading AFUE

---

- ◆ Clean-face design features ceramic glass for optimum heat transfer and a protective screen\*

---

- ◆ Factory installed blower with six speed settings to fine tune your heating needs

---

- ◆ Interior finish selections consist of reflective porcelain firebox floors, reflective porcelain panel kits and crushed glass media

---

- ◆ Clean-faced trim kit or recessed surround with door bezel trim kit (surround and bezel must be ordered together)

---

- ◆ Backlighting kit available (with six distinctive settings) enhances the illusion panel to add design interest even when the fire is not in use

---

- ◆ Full function remote control (T-stat, flame, blower, lighting, IPI/CPI)

---

- ◆ Power-vent kit available for all models (Natural Gas only)

---

- ◆ Limited Lifetime Warranty

## SURROUND (Optional)



*Black Satin (painted)*



*Black Nickel (plated)*

## BEZEL (Optional)

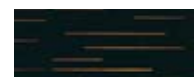


*Brushed Nickel*

## PORCELAIN PANELS (Optional)



*Cityscape*



*Metroscape*

## NAKE PANELS (Optional)

*Black Porcelain*

*Black Satin (painted)*

## GLASS MEDIA (Choose One)



*Reflective Black (standard)*



*Reflective Blue*



*Copper*

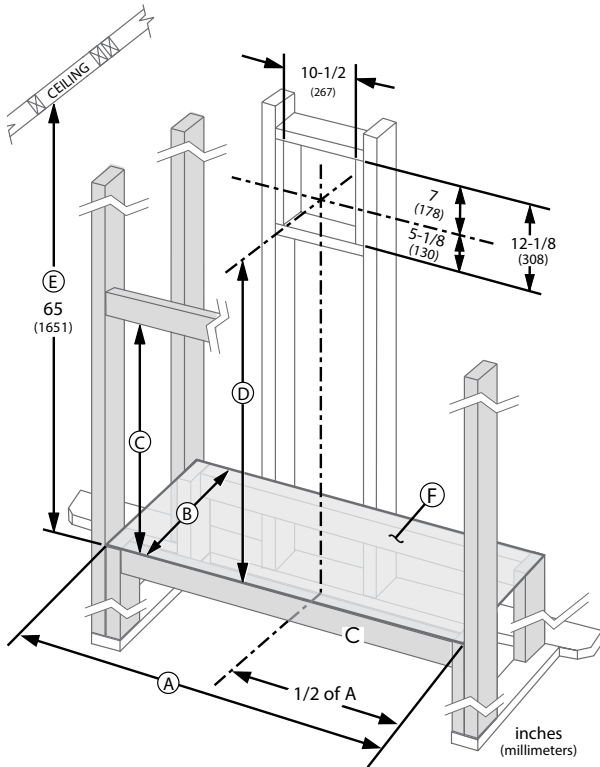


*Goldfinger*



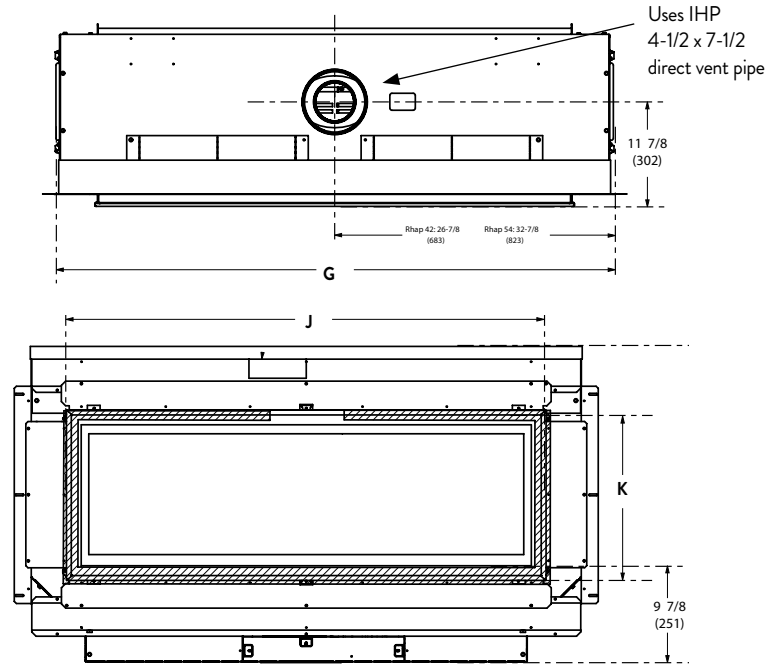
*Platinum*

# FLAT WALL FRAMING SPECIFICATIONS

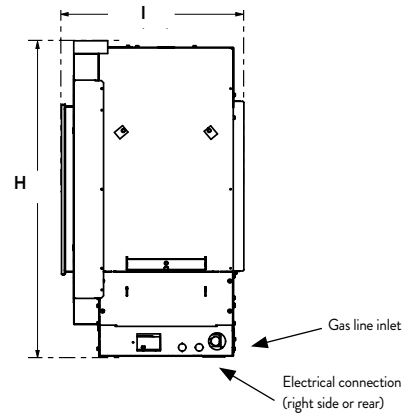


	RHAPSODY 42	RHAPSODY 54
A	54"	66"
B	20-1/2"	20-1/2"
C	42"	46-3/4"
D	50-3/8"	48-1/4"
E	Minimum height from appliance base front to ceiling	
F	Mounting platform required	

# APPLIANCE SPECIFICATIONS



RIGHT SIDE VIEW



## FIREPLACE EFFICIENCIES – Listed to ANSI Z21.88 as a gas fireplace heater.

MODEL	FUEL	BTU/HR	AFUE**	P4/ENERGUIDE*
RHAPSODY 42	NG	19,500/27,000	67%	61%
RHAPSODY 54	NG	26,000/37,000	70.2%	66.9%

\*Intermittent ignition systems  
 \*\*Annual Fuel Utilization Efficiency (AFUE) is the recognized U.S. rating system for the total efficiency of heating products.

**IMPORTANT NOTES:**  
 As with any fireplace, this appliance is extremely hot during operation. Read and understand all operating instructions before using this appliance. For further information, consult your dealer.

Local conditions, such as elevation, wind, vent configuration and choice of fuel will affect overall appearance of the fire and heating performance. Performance can also vary with home design and insulation, climate, condition and type of fuel used, appliance location, burn rate, accessories chosen, chimney installation and how the appliance is operated.

DIAGRAMS, ILLUSTRATIONS AND PHOTOGRAPHS ARE NOT TO SCALE—CONSULT INSTALLATION INSTRUCTIONS. PRODUCT DESIGNS, MATERIALS, DIMENSIONS, SPECIFICATIONS, COLORS AND PRICES ARE SUBJECT TO CHANGE OR DISCONTINUANCE WITHOUT NOTICE.

	RHAPSODY 42	RHAPSODY 54
G	53-3/4"	65-3/4"
H*	32-1/2"	36-3/8"
I	20-1/2"	20-1/2"
J	44-1/8"	56-1/8"
K	15-11/16"	19-5/8"

\*Additional 9-3/8" for standoffs



© 2018 Innovative Hearth Products

Visit us online  
 Astria.us.com

