



STANDARD FEATURES

- ◆ Available in a 40" See Through model-configurable as indoor/indoor or indoor/outdoor applications

- ◆ Gas controls are conveniently hidden to the side of the fireplace opening for easy installation and finishing

- ◆ Electronic ignition with battery backup to provide continued operation in the event of a power outage

- ◆ Exclusive burner design to generate amazing flame and glowing logs

- ◆ Six flame settings with up to a 33% turn-down for precise heat control

- ◆ Up to 70% industry leading AFUE

- ◆ Smooth-faced design features ceramic glass for optimum heat transfer and a protective screen*

- ◆ Premium, high definition Split Oak ceramic fiber log set with beautiful glowing ceramic ember bed

- ◆ Heavy duty log grate

- ◆ Interior liner selections consists of two-piece black reflective porcelain or ceramic fiber available in a variety of colors and patterns

- ◆ Full function remote control (T-stat, flame, IPI/CPI)

- ◆ Available in dedicated power-vent models (Natural Gas only)

- ◆ Optional outdoor window kit, tested and listed to ASTM commercial window standard for air infiltration, water resistance, structural integrity and thermal resistance (U-Value/CRF)

- ◆ Limited Lifetime Warranty

ANDIRONS (Optional)



Classic Style



Mission Style

INTERIOR LINERS (Choose One)



Black Reflective Porcelain



Black Rustic



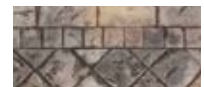
Architectural Stone



Buff Rustic Stacked



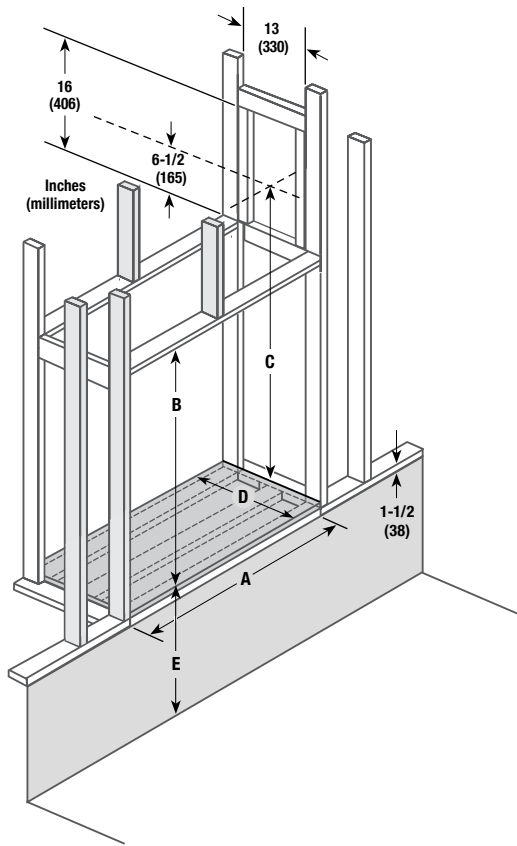
Buff Herringbone



Venetian Tile

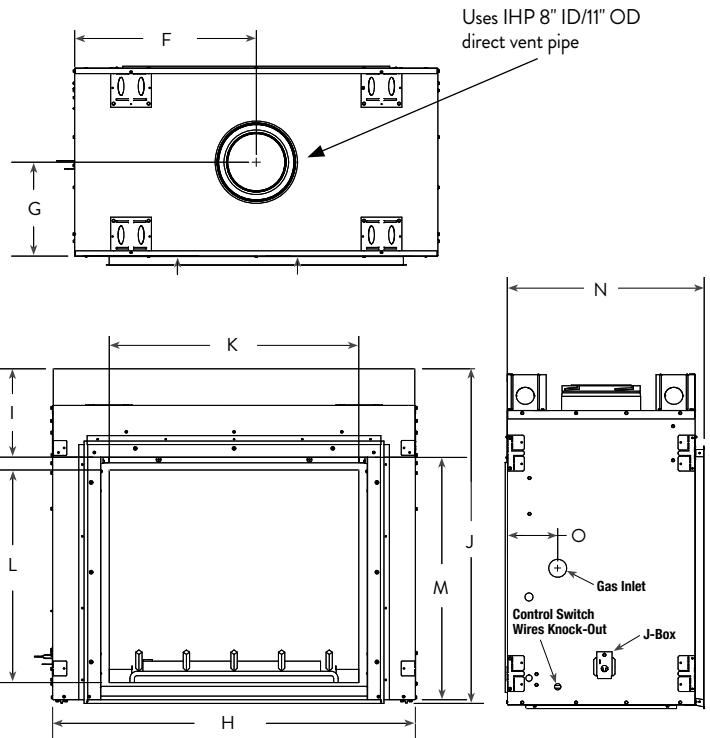
FLAT WALL FRAMING SPECIFICATIONS

APPLIANCE SPECIFICATIONS



MONTEBELLO ST

A	52-1/16"	
B	47-5/16"	
C	75-1/2"	
D	26-5/16"	
E	6"	(Pedestal for outdoor applications only)



MONTEBELLO ST

F	25-9/32"
G	13-3/32"
H	50-1/2"
I	12-5/16"
J	46-19/32"
K	34-3/4"
L	29-19/32"
M	33-3/4"
N	27-7/16"
O	7"

IMPORTANT NOTES:

As with any fireplace, this appliance is extremely hot during operation. Read and understand all operating instructions before using this appliance. For further information, consult your dealer.

Local conditions, such as elevation, wind, vent configuration and choice of fuel will affect overall appearance of the fire and heating performance. Performance can also vary with home design and insulation, climate, condition and type of fuel used, appliance location, burn rate, accessories chosen, chimney installation and how the appliance is operated.

DIAGRAMS, ILLUSTRATIONS AND PHOTOGRAPHS ARE NOT TO SCALE—CONSULT INSTALLATION INSTRUCTIONS. PRODUCT DESIGNS, MATERIALS, DIMENSIONS, SPECIFICATIONS, COLORS AND PRICES ARE SUBJECT TO CHANGE OR DISCONTINUANCE WITHOUT NOTICE.

FIREPLACE EFFICIENCIES – Listed to ANSI Z21.88 as a gas fireplace heater.

MODEL	FUEL	BTU/HR	AFUE**	P4/ENERGUIDE*
MONTEBELLO	NG	40,000/60,000	68%	67%
MONTEBELLO	LP	43,500/56,000	70%	67%
MONTEBELLO STTYN	NG	40,000/60,000	68%	62%

*Intermittent ignition systems

**Annual Fuel Utilization Efficiency (AFUE) is the recognized U.S. rating system for the total efficiency of heating products.



© 2018 Innovative Hearth Products

Visit us online
Astria.us.com

