



EROS STANDARD FEATURES

- ◆ Available in a 35" clean-faced peninsula and see through models

- ◆ Combo top/rear flue configuration

- ◆ Energy saving electronic ignition

- ◆ Pre-wired for wall switch

- ◆ Outstanding heating efficiency for increased comfort and lower operating costs

- ◆ Standard tempered glass and a protective screen*

- ◆ Beautifully crafted ceramic fiber "oak" log set with 1/2" diamond-shaped heavy-duty grate

- ◆ Black painted interior (optional ceramic fiber liner available)

- ◆ Durable textured powder coat finish

- ◆ Optional remote control available for all models

- ◆ Limited Lifetime Warranty



Eros - Peninsula

INTERIOR (Choose One)

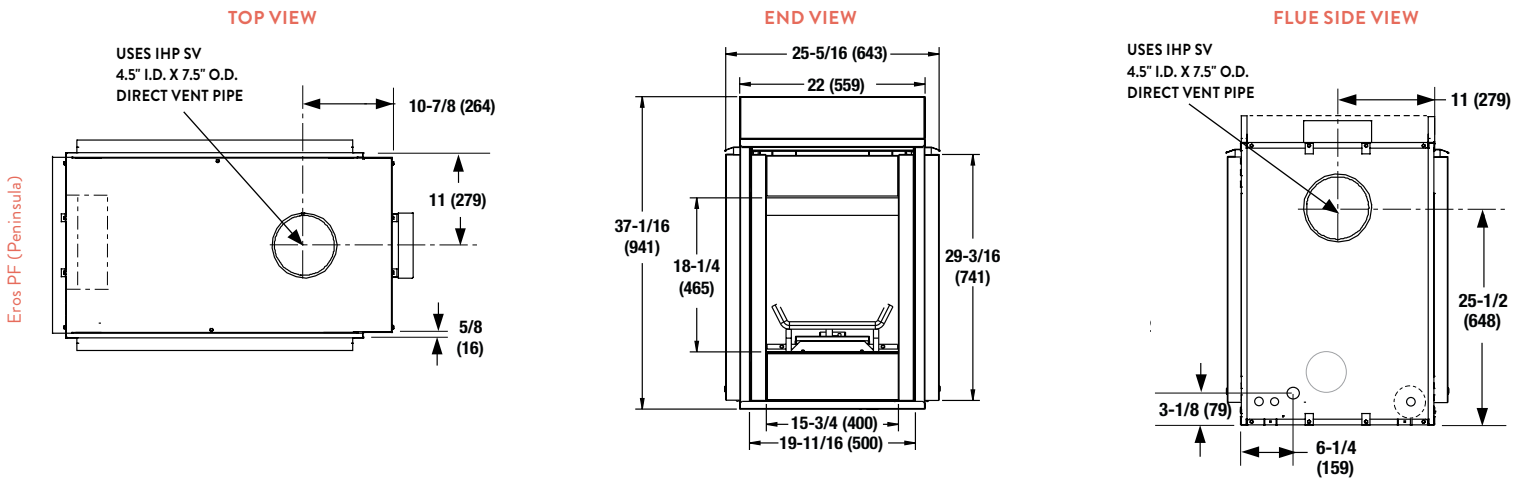
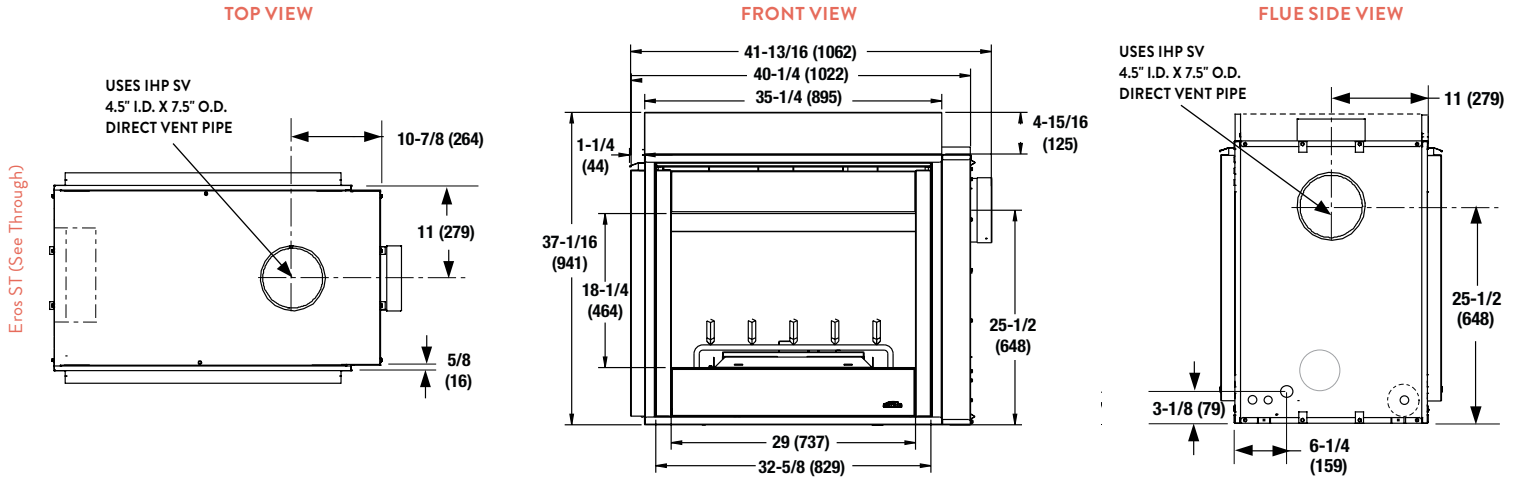


Black Painted (Standard)



Buff Stacked

APPLIANCE SPECIFICATIONS



EROS MULTI-VIEW FIREPLACE EFFICIENCIES – Listed to ANSI Z21.88 as a gas fireplace heater

MODEL	FUEL	BTU/HR	AFUE**	P4 / ENERGYGUIDE
EROS 35STDEN	NG	30,000	74.8%	54.7%
EROS 35PFDEN	NG	30,000	74.8%	54.7%

**Annual Fuel Utilization Efficiency (AFUE) is the recognized U.S. rating system for the total efficiency of heating products.

IMPORTANT NOTES:

As with any fireplace, this appliance is extremely hot during operation. Read and understand all operating instructions before using this appliance. For further information, consult your dealer.

Local conditions, such as elevation, wind, vent configuration and choice of fuel will affect overall appearance of the fire and heating performance. Performance can also vary with home design and insulation, climate, condition and type of fuel used, appliance location, burn rate, accessories chosen, chimney installation and how the appliance is operated.

Diagrams, illustrations and photographs are not to scale—consult installation instructions. Product designs, materials, dimensions, specifications, colors and prices are subject to change or discontinuance without notice.

astria
FIREPLACES®

© 2018 Innovative Hearth Products

Visit us online
Astria.us.com

