

P900976-00

**INSTALLER:** Leave this manual with the appliance.  
**CONSUMER:** Retain this manual for future reference.

**In the Commonwealth of Massachusetts:**

- Installation must be performed by a licensed plumber or gas fitter;
- See Table of Contents for location of additional Commonwealth of Massachusetts requirements.

**WARNING:** If the information in this manual is not followed exactly, a fire or explosion may result causing property damage, personal injury or loss of life.

**FOR YOUR SAFETY:** Do not store or use gasoline or other flammables or liquids in the vicinity of this or any other appliance.

**FOR YOUR SAFETY:** What to do if you smell gas:

- **DO NOT** light any appliance.
- **DO NOT** touch any electrical switches.
- Do not use any phone in your building.
- Immediately call your gas supplier from a neighbor's phone. Follow your gas suppliers instructions.
- If your gas supplier cannot be reached, call the fire department.

Installation and service must be performed by a qualified installer, service agency or the gas supplier.



Report No. F14-168

# INSTALLATION AND OPERATION INSTRUCTIONS

## UNIVERSAL VENT-FREE FIREBOX

32" x 28", 36" x 28", & 42" x 28" Universal Vent-Free Fireboxes  
P/N 900976-00 REV. A 06/2019

### MODELS

|                    |                    |                    |
|--------------------|--------------------|--------------------|
| <i>OrionLR32WS</i> | <i>OrionLR36WS</i> | <i>OrionLR42WS</i> |
| <i>OrionLR32WH</i> | <i>OrionLR36WH</i> | <i>OrionLR42WH</i> |

**FOR USE ONLY WITH A LISTED GAS-FIRED UNVENTED DECORATIVE ROOM HEATER NOT TO EXCEED 40,000 BTU/H.**

**DO NOT BUILD A WOOD FIRE.**

**WARNING: IMPROPER INSTALLATION, ADJUSTMENT, ALTERATION, SERVICE OR MAINTENANCE CAN CAUSE INJURY OR PROPERTY DAMAGE. REFER TO THIS MANUAL. FOR ASSISTANCE OR ADDITIONAL INFORMATION CONSULT A QUALIFIED INSTALLER, SERVICE AGENCY OR THE GAS SUPPLIER.**

Carefully review the instructions supplied with the decorative type unvented room heater for the minimum fireplace size requirement.

**DO NOT INSTALL AN APPLIANCE IN THIS FIREBOX UNLESS THIS FIREBOX MEETS THE MINIMUM DIMENSIONS REQUIRED FOR THE INSTALLATIONS.**

**THIS IS A VENT-FREE GAS-FIRED HEATER ENCLOSURE. IT USES AIR (OXYGEN) FROM THE ROOM IN WHICH IT IS INSTALLED. PROVISIONS FOR ADEQUATE COMBUSTION AND VENTILATION AIR MUST BE PROVIDED. REFER TO COMBUSTION AND VENTILATION AIR SECTION, PAGE 4.**

Due to high temperatures, the appliance should be located out of traffic and away from furniture or draperies.

Do not place clothing or other materials on or near this appliance.

**IMPORTANT: READ AND UNDERSTAND THESE INSTRUCTIONS COMPLETELY BEFORE INSTALLING YOUR VENT-FREE ROOM HEATERS.**

## IMPORTANT SAFETY INFORMATION

INSTALLER: PLEASE LEAVE THESE INSTRUCTIONS WITH THE OWNER.

OWNER: PLEASE RETAIN THESE INSTRUCTIONS FOR FUTURE REFERENCE.



### WARNING

If the information in this manual is not followed exactly, a fire or explosion may result causing property damage, personal injury or loss of life.



### IMPORTANT

The fireplace screens on the appliance must be closed prior to operating the fireplace.

### WARNING

These built-in vent-free fireboxes have only been tested and approved for use with ANSI Z21.11.2 Vent-free gas logs.

### WARNING

Do not attempt to burn solid wood fuels, other gas log sets or any other combustible materials in this vent-free firebox.

### WARNING

Any change to this Vent-Free room heater can be dangerous. Improper installation or use of this heater can cause serious injury or death from fire, burns, explosion or carbon monoxide poisoning.

### WARNING

Do not allow fans to blow directly into the fireplace. Avoid any drafts that alter burner flame patterns.

### WARNING

**Carbon Monoxide Poisoning:** Early signs of carbon monoxide poisoning are similar to the flu with headaches, dizziness and/or nausea. If you have these signs, obtain fresh air immediately. Have the Vent-Free Gas Heater serviced as it may not be operating correctly.

### WARNINGS

- Due to high temperatures, the firebox should be located out of traffic and away from furniture and draperies.
- Do not place clothing or other flammable material on or near the heater.
- Any safety screen or guard removed for servicing the firebox must be replaced and/or closed prior to operating the heater.
- Installation and repair should be done by a qualified service person. The heater should be inspected before use and at least annually by a professional service person. More frequent cleaning may be required due to excessive lint from carpeting, bedding material, etc. It is important that control compartments, burners and circulating air passageways of the heater be kept clean.
- Allow the heater to cool before servicing. Always shut off any electricity or gas to the heater while performing service work.
- Do not install the firebox in a sleeping room or bathroom.
- The appliance and its individual shut-off valve must be disconnected from the gas supply piping system while performing any tests of the gas supply piping system at test pressures equal to or less than 1/2 psig.
- Children and adults should be alerted to the hazard of high surface temperature and should stay away to avoid burns or clothing ignition.

### WARNING

- The heater must be isolated from the gas supply piping system by closing its individual manual shut-off valve during any pressure testing of the gas supply piping system at test pressures equal to or less than 1/2 psig.
- Keep heater area clear and free from combustible materials, gasoline and other flammable vapors and liquids.
- Do not use this heater if any part has been under water. Immediately call a qualified service technician to inspect the heater and to replace any part of the control system and any gas control which has been under water.
- Ensure that the heater is clean when operating. Excessive dust accumulation on the burner and logs will increase the amount of carbon monoxide formation and could lead to carbon monoxide poisoning and death.

### IMPORTANT

Before starting your firebox installation, read these installation instructions carefully to be sure you understand them completely and in entirety. Failure to follow these instructions could cause a heater malfunction resulting in serious injury and/or property damage.

### WARNING

Do not install in the vicinity where gasoline or other flammable liquids may be stored. The Vent-Free firebox must be kept clear and free from these combustible materials.

### WARNING

Maintain minimum clearances.

## CONGRATULATIONS!

In selecting this **Astria**<sup>®</sup> Vent-Free Gas Firebox you have chosen the finest and most dependable fireplace to be found anywhere. A beautiful, prestigious, alternative to a wood burning fireplace. Welcome to a family of **Astria** Fireplace Owners.

Please read and carefully follow all of the instructions found in this manual. Please pay special attention to the safety instructions provided in this manual. The Homeowner's Care and Operation Instructions included here will assure that you have many years of dependable and enjoyable service from your **Astria** product.

## TABLE OF CONTENTS

|   |         |
|---|---------|
| Important Safety Information.....                     | Page 2  |
| Packaging List.....                                   | Page 3  |
| General Information.....                              | Page 3  |
| Burn-in Period.....                                   | Page 3  |
| Tools/Building Supplies.....                          | Page 3  |
| Codes.....  | Page 3  |
| Combustion And Ventilation Air .....                  | Page 4  |
| Cold Climate Insulation .....                         | Page 5  |
| Requirements for the<br>Commonwealth of Massachusetts | Page 5  |
| Location Of Firebox.....                              | Page 5  |
| Clearances .....                                      | Page 6  |
| Assembly Steps .....                                  | Page 8  |
| Gas Line Installation.....                            | Page 8  |
| Firebox Framing .....                                 | Page 9  |
| Firebox Installation.....                             | Page 9  |
| Specifications.....                                   | Page 10 |
| Framing Specifications.....                           | Page 11 |
| Hood Installation.....                                | Page 12 |
| Firebox Finishes .....                                | Page 12 |
| Replacement Parts List .....                          | Page 14 |
| Warranty .....  | Page 17 |

This installation manual will help you obtain a safe, efficient, dependable installation for your appliance and vent system.

### PLEASE READ AND UNDERSTAND THESE INSTRUCTIONS BEFORE BEGINNING YOUR INSTALLATION.

#### Packaging List

Vent-Free Gas Firebox  
Hood  
Installation and Operation Instructions



## GENERAL INFORMATION

These Vent-Free firebox enclosures are designed to accept all ANSI Z21.11.2 approved Decorative Type Vent-Free Gas Log Room Heaters. **For the appropriate Vent-Free Gas Log Room Heater model, refer to Page 16 (see Vent-Free Gas Log Sets).** Refer to the installation instructions provided with the log sets for detailed instructions.

This installation manual along with the vent-free gas log installation manual will enable you to obtain a safe, efficient and dependable installation of your room heater system.

Do not alter or modify the firebox or its components under any circumstances. Any modification or alteration of the firebox system, including but not limited to the firebox and accessories, may void the warranty, listings and approvals of this system and could result in an unsafe and potentially dangerous installation.

These Built-In Vent-Free Fireboxes have been tested and approved as Ventless Firebox Enclosures for Gas-Fired Unvented Decorative Room Heaters to ANSI Z21.91.

#### Burn-in Period

During the first few times of operation of this appliance there will be some odor due to the curing of the paint and burning off of lubricants used in the manufacturing process. We recommend that you open windows and ventilate the house during the initial burns. The paint emits non-toxic odors during this process.

Depending on your use, the burn-in period may take a few hours or a few days.

**KEEP YOUR HOUSE WELL VENTILATED DURING THE BURN-IN PERIOD. THE ODOR AND HAZE EMITTED DURING THE BURN-IN PERIOD CAN BE QUITE NOTICEABLE AND MAY SET OFF A SMOKE DETECTOR.**

If an optional blower is installed, Do not turn it on during the Burn-In period.

## Misc. Codes / Standards

The Installation must conform to local codes or, in the absence of local codes, with the National Fuel Gas Code, ANSI Z223.1/NFPA 54 - latest edition.

The appliance, when installed, must be electrically grounded in accordance with local codes or, in the absence of local codes, with the National Electrical Code, ANSI/NFPA 70 - latest edition.

Check the packaging list to be sure that you have all the necessary parts in usable condition. Also check for concealed damage.

### Tools and Building Supplies Normally Required

#### Tools Should Include:

- Phillips screwdriver
- Hammer
- Saw and/or sabersaw
- Level
- Measuring tape
- Electric drill and bits
- Pliers
- Square
- Piping complying with local codes
- Pipe wrench
- Tee joint
- Pipe compound

#### Building Supplies Should Include:

- Framing materials
- Wall finishing materials
- Caulking materials (*noncombustible*)
- Fireplace surround materials (*noncombustible*)
- Insulation (*for packing around gas-line penetration holes*)

#### Codes

Adhere to all local codes or in their absence the latest edition of The National Fuel Gas Code ANSI Z223.1 or NFPA 54 - latest edition which can be obtained from The American National Standards Institute, Inc. (25 West 43rd Street, 4th floor New York, NY 10036) or National Fire Protection Association, Inc. (1 Batterymarch Park Quincy, MA 02169-7471).

## COMBUSTION AND VENTILATION AIR

### WARNING

Heaters installed in these appliances shall not be installed in a room or space unless the required volume of indoor combustion air is provided by the method described in the National Fuel Gas Code, ANSI Z223.1/NFPA 54, the International Fuel Gas Code, or applicable local codes. Read the following instructions to ensure proper fresh air for this and other fuel-burning appliances in your home.

Today's homes are built more energy efficient than ever. New materials, increased insulation and new construction methods help reduce heat loss in homes. Homeowners apply weather strip and caulk around windows and doors to keep the cold air out and the warm air in. During heating months, homeowners want their homes as airtight as possible.

While it is good to make your home energy efficient, your home needs to breathe. Fresh air must enter your home. All fuel-burning appliances need fresh air for proper combustion and ventilation.

Exhaust fans, some fireplaces, clothes dryers and some fuel-burning appliances draw air from the house to operate. You must provide adequate fresh air for these appliances. This will ensure proper venting of vented fuel-burning appliances.

### PROVIDING ADEQUATE VENTILATION

The following are excerpts from *National Fuel Gas Code, ANSI Z223.1/NFPA 54, Air for Combustion and Ventilation*.

All spaces in homes fall into one of the three following ventilation classifications:

1. Unusually Tight Construction
2. Unconfined Space
3. Confined Space

The information on **Pages 8 through 10** will help you classify your space and provide adequate ventilation.

#### Unusually Tight Construction

The air that leaks around doors and windows may provide enough fresh air for combustion and ventilation. However, in buildings of unusually tight construction, you must provide additional fresh air.

Unusually tight construction is defined as construction where:

- a. walls and ceilings exposed to the outside atmosphere have a continuous water vapor retarder with a rating of one perm ( $6 \times 10^{-11}$  kg per pa-sec- $m^2$ ) or less with openings gasketed or sealed and
- b. weather stripping has been added on openable windows and doors and

- c. caulking or sealants are applied to areas such as joints around window and door frames, between sole plates and floors, between wall-ceiling joints, between wall panels, at penetrations for plumbing, electrical and gas lines and at other openings.

If your home meets all of the three criteria above, you must provide additional fresh air. See **Ventilation Air From Outdoors**, in the Installation and Operation manual for the heater.

If your home does not meet all of the three criteria above, proceed to **Determining Fresh-Air Flow For Firebox Location**.

#### Confined and Unconfined Space

The *National Fuel Gas Code, ANSI Z223.1/NFPA54* allows two methods for determining whether the space in which the heater is being installed is confined or unconfined space. The standard method defines a confined space as a space whose volume is less than 50 cubic feet per 1,000 Btu per hour (4.8  $m^3$  per kw) of the aggregate input rating of all appliances installed in that space and an unconfined space as a space whose volume is not less than 50 cubic feet per 1,000 Btu per hour (4.8  $m^3$  per kw) of the aggregate input rating of all appliances installed in that space. Rooms communicating directly with the space in which the appliances are installed\*, through openings not furnished with doors, are considered a part of the unconfined space.

Where the air infiltration rate of a structure is known, the Known Air Infiltration Rate Method may be used. Follow The National Fuel Gas Code, ANSI Z223.1/NFPA 54 to use this method to determine if the space is confined or unconfined.

\* Adjoining rooms are communicating only if there are doorless passageways or ventilation grills between them.

#### DETERMINING FRESH-AIR FLOW FOR Heater LOCATION

##### Determining if You Have a Confined or Unconfined Space Using the Standard Method

Use this work sheet to determine if you have a confined or unconfined space.

**Space:** Includes the room in which you will install heater plus any adjoining rooms with doorless passageways or ventilation grills between the rooms.

1. Determine the volume of the space (length x width x height).  
Length x Width x Height = \_\_\_\_\_ cu. ft. (volume of space)

**Example:** Space size 22 ft. (length) x 18 ft. (width) x 8 ft. (ceiling height) = 3,168 cu. ft. (volume of space)

If additional ventilation to adjoining room is supplied with grills or openings, add the volume of these rooms to the total volume of the space.

2. Multiply the space volume by 20 to determine the maximum BTU/Hr the space can support.

\_\_\_\_\_ (volume of space) x 20 = (Maximum BTU/Hr the space can support)

**Example:** 3,168 cu. ft. (volume of space) x 20 = 63,360 (maximum BTU/Hr space can support)

3. Add the BTU/Hr of all fuel burning appliances in the space.

|                        |         |        |
|------------------------|---------|--------|
| Vent-free fireplace    | _____   | BTU/Hr |
| Gas water heater*      | _____   | BTU/Hr |
| Gas furnace            | _____   | BTU/Hr |
| Vented gas heater      | _____   | BTU/Hr |
| Gas fireplace logs     | _____   | BTU/Hr |
| Other gas appliances*+ | _____   | BTU/Hr |
| Total                  | = _____ | BTU/Hr |

\* Do not include direct-vent gas appliances. Direct-vent draws combustion air from the outdoors and vents to the outdoors.

#### Example:

|                     |         |        |
|---------------------|---------|--------|
| Gas water heater    | _____   | BTU/Hr |
| Vent-free fireplace | + _____ | BTU/Hr |
| Total               | = _____ | BTU/Hr |

4. Compare the maximum BTU/Hr the space can support with the actual amount of BTU/Hr used.

\_\_\_\_\_ BTU/Hr (maximum the space can support)

\_\_\_\_\_ BTU/Hr (actual amount of BTU/Hr used)

**Example:** 63,360 BTU/Hr (maximum the space can support)  
79,000 BTU/Hr (actual amount of BTU/Hr used)

The space in the example is a confined space because the actual BTU/Hr used is more than the maximum BTU/Hr the space can support. You must provide additional fresh air. Your options are as follows:

- A. Rework worksheet, adding the space of an adjoining room. If the extra space provides an unconfined space, remove door to adjoining room or add ventilation grills between rooms. See **Ventilation Air From Inside Building**, in the Installation and Operation manual for the heater.
- B. Vent room directly to the outdoors. See **Ventilation Air From Outdoors**, in the Installation and Operation manual for the heater.
- C. Install a lower BTU/Hr appliance, if lower BTU/Hr size makes room unconfined.

If the actual BTU/Hr used is less than the maximum BTU/Hr the space can support, the space is an unconfined space. You will need no additional fresh air ventilation.

### WARNING

If the area in which the heater may be operated does not meet the required volume for indoor combustion air, combustion and ventilation air shall be provided by one of the methods described in the National Fuel gas Code, ANSI Z223.1/NFPA54, the International Fuel gas Code, or applicable local codes.

## COLD CLIMATE INSULATION

For cold climate installations, seal all cracks around the appliance with noncombustible material and wherever cold air could enter the room. It is especially important to insulate outside cavities between studs and under floor on which the appliance rests, if floor is above ground level. Gas line holes and other openings should be caulked with high temperature caulk or stuffed with unfaced fiberglass insulation. If the fireplace is being installed on a cement slab, in cold climates, a sheet of plywood or other raised platform can be placed underneath to prevent conducting cold up into the room. It also helps to sheetrock inside surfaces and tape for maximum air tightness and caulk firestops.

**NOTE: The following requirements reference various Massachusetts and national codes not contained in this document.**

## Requirements for the Commonwealth of Massachusetts

These appliances are approved for installation in the US state of Massachusetts if the following additional requirements are met:

- Un-vented Room Heaters shall be installed in accordance with 527 CMR 30.
- Installation and repair must be done by a plumber or gas fitter licensed in the Commonwealth of Massachusetts.
- The flexible gas line connector used shall not exceed 36 inches (92 centimeters) in length.
- The individual manual shut-off must be a T-handle type valve.
- Unvented appliances may NOT be installed in bedrooms or bathrooms.
- A working smoke detector must be installed in the area where vent-free appliances are installed.

Seller of unvented propane or natural gas-fired supplemental room heaters shall provide to each purchaser a copy of 527 CMR 30 upon sale of the unit.

## LOCATION OF FIREBOX

Carefully select the best location for installation of your built-in Vent-Free firebox. The following factors should be taken into consideration:

- Clearance to side wall, ceiling, woodwork and windows.
- Location must not be affected by drafts caused by kitchen exhaust fans, return air registers for forced air furnaces/air conditioners, windows or doors.
- Installation must provide adequate ventilation and combustion air.
- Do not install this firebox in a sleeping room or bathroom.
- Location should be out of high traffic areas and away from furniture and draperies due to heat from firebox.
- Never obstruct the front opening of the Vent-Free firebox or restrict the flow of combustion and ventilation air.
- Minimize modifications to existing construction. See **Figure 1** for location suggestions.

### CAUTION

**Do not install in the vicinity where gasoline or other flammable liquids may be stored. The Vent-Free firebox must be kept clear and free from these combustible materials.**

### WARNING

**Do not use a blower insert, heat exchanger insert or other accessory not approved for use with this appliance.**

### WARNING

**FIRE, EXPLOSION, AND ASPHYXIATION HAZARD  
Improper adjustment, alteration, service, maintenance, or installation of this heater or its controls can cause death or serious injury. Read and follow instructions and precautions in User's Information Manual provided with this heater.**

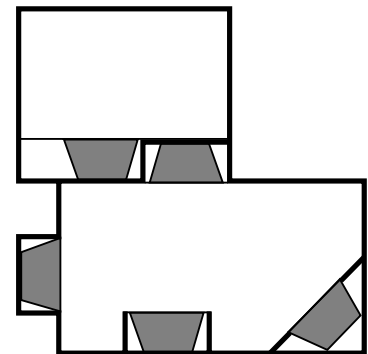
### WARNING

**Do not install these built-in Vent-Free fireboxes in sleeping quarters, or in recreational vehicles.**

### WARNINGS

**Do not install these appliances:**

- Where curtains, furniture, clothing or other flammable objects are less than 42" from the front of the Vent-Free room heater.
- In high traffic areas.
- In windy or drafty areas.



Not to Scale

Figure 1

## Clearances

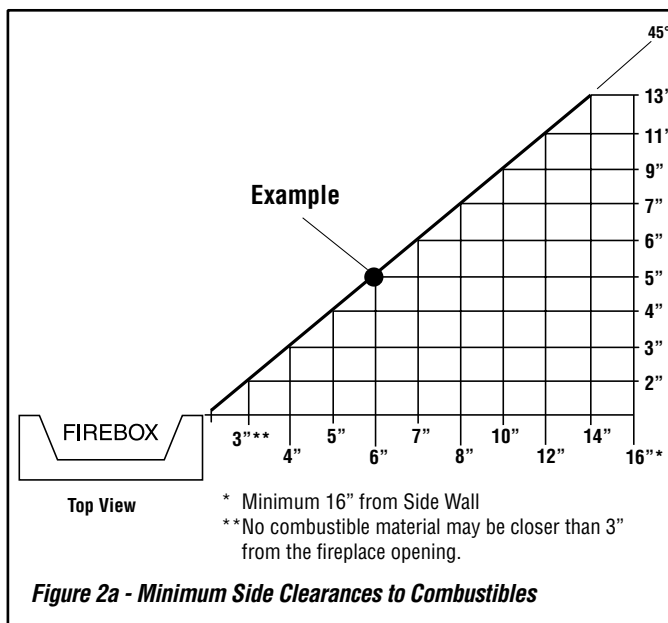
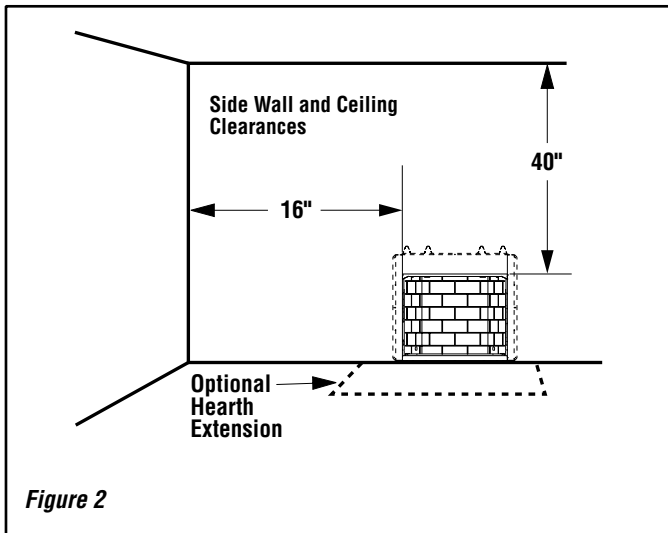
Ensure the minimum clearances shown in **Figures 2 through 4** are maintained. Left and right clearances are determined when facing the front of the firebox.

Follow these instructions carefully to ensure safe installation. Failure to follow these requirements may create a fire hazard.

### Combustible Side Clearances:

Clearances from the side of the firebox opening to any combustible material (e.g. side wall, mantel leg, bookshelf, etc.), must comply with the requirements shown in **Figures 2 and 2a**.

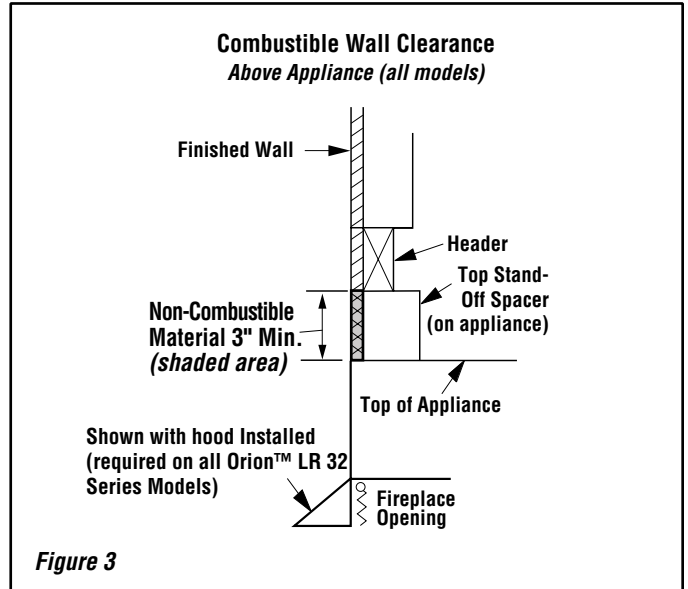
**Example:** If the mantel leg, bookshelf or other combustible material protrudes 5" from the plane of the wall where the firebox is installed, the combustible material must be a minimum of 6" from the side of the firebox opening (see **Figure 2a**).



**Ceiling clearance:** The ceiling must be at least 40" from the top of the firebox opening (**Figure 2**).

**Noncombustible material:** Noncombustible materials, such as slate and marble, must be at least 1/2" thick and may be used without restriction above the firebox opening, to the sides or as a hearth extension, so long as they do not obstruct vent openings for heat circulating models.

**RECOMMENDATION:** Use high temperature finish material for the mantels.

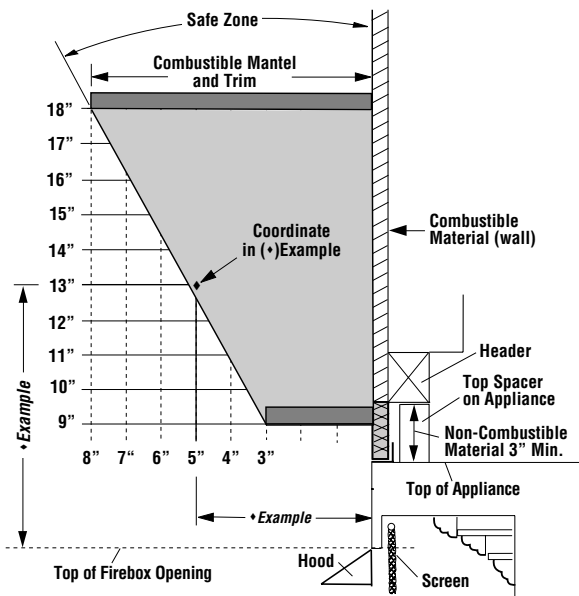


Maintain adequate clearances around air openings.

Maintain adequate clearances for accessibility for purposes of servicing and proper operation.

### Combustible Mantel and Trim Clearance

**Orion Models WITH Hood Installed**  
Hood is required for ALL OrionLR32 models.



♦ **EXAMPLE:** If you choose to install a mantel that projects 5", you will need to install it so that the bottom of the mantel and trim is approximately 13" or more above Firebox opening (see coordinate in shaded area above).

Figure 4A

**NOTE: No combustible material shall be allowed to overlap or contact any section of the front painted face.**

**Noncombustible material (minimum requirements) with wood mantel or other combustible projections:** To install the firebox with a wood mantel, shelf or other combustible projection above firebox opening. Refer to *Figures 4A and 4B*.

Minimum clearance requirements include any projections such as shelves, window sills, mantels, etc. above the appliance.

### WARNING

The hood must be in place to be in compliance with the clearances specified in *Figure 4A*. Do not remove or replace hood, only use hood supplied for these fireboxes (see *Page 14*). Do not use any hood which may be provided with the decorative type Vent-Free room heater.

If your mantel profile is unsafe, you may either:

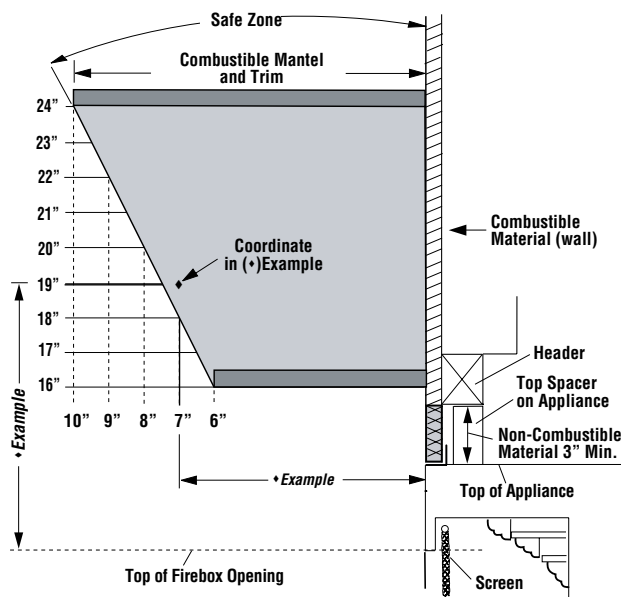
- Raise the mantel to an acceptable height, or
- Remove the mantel.

**Floor clearance:** These fireplaces may sit directly on a combustible surface. The appliance should be mounted on a fully supported base extending the full width and depth of the unit. The appliance may be located on or near conventional construction materials. However,

if installed on combustible materials, such as carpeting, vinyl tile, etc., a metal or wood barrier covering the entire bottom surface must be used.

### Combustible Mantel and Trim Clearance

**Models OrionLR36 and OrionLR42 WITHOUT Hood Installed**  
Hood is optional on these models



♦ **EXAMPLE:** If you choose to install a mantel that projects 7", you will need to install it so that the bottom of the mantel and trim is approximately 18" or more above Firebox opening (see coordinate in shaded area above).

Figure 4B

## ASSEMBLY STEPS

### NOTES:

- Illustrations shown in this manual reflect “typical” installations with nominal dimensions and are for design and framing reference only. Actual installations may vary due to individual design preferences. However, always maintain minimum clearances to combustible materials and do not violate any specific installation requirements. Refer to the Framing Specifications *Figures* on *Page 11*.
- The following steps represent the normal sequence of installation. Each installation is unique, however, and might require a different sequence.

**Step 1.** Position firebox prior to framing or into prepared framing.

**Step 2.** Plumb gas line. (Gas connections should only be performed by an experienced, licensed/certified tradesman).

**Step 3.** Install decorative type Vent-Free room heater per the instructions provided with the Vent-Free room heater.

**Step 4.** Complete finish wall material, surround and optional hearth extension to your individual taste.

## INSTALLATION

### Gas Line Installation

#### Consult all local codes.

Properly size and route the gas supply line from the supply regulator to the area where the appliance is to be installed per requirements outlined in the National Fuel Gas Code, NFPA 54 - latest edition (USA) or B149 - latest edition (Canada).

### CAUTION

**Plumbing connections should only be performed by a qualified, licensed plumber. Main gas supply must be off when plumbing gas line to fireplace or performing service.**

#### Consult all local codes.

Properly size and route the gas supply line from the supply regulator to the area where the appliance is to be installed per requirements outlined in the National Fuel Gas Code, NFPA 54 - latest edition (USA) or B149 - latest edition (Canada). Never use galvanized or plastic pipe. Gas lines must be routed, constructed and made of materials that are in strict accordance with local codes and regulations. We recommend that a qualified individual such as a plumber or gas fitter be hired to correctly size and route the gas supply line to the appliance. Installing a gas supply line from the fuel supply to the appliance involves numerous considerations of materials, protection, sizing, locations, controls, pressure, sediment, and more. Certainly no one unfamiliar and unqualified should attempt sizing or installing gas piping.

Remove the gas line access cover plate on either the left or right side of the fireplace (see *Figure 6* showing locations).

Install 1/2" inside diameter approved gas line through the firebox wall for connection to the Vent-Free room heater inside the firebox. Connect the gas line before the firebox is enclosed in the finished wall. Gas line holes and other openings should be caulked with high temperature caulk or stuffed with unfaced fiberglass insulation.

Ensure that a sediment trap is installed in the existing gas line, if not, install a sediment trap upstream of the heater to prevent moisture and contaminants from passing through trap to the heater controls and burners. Failure to do so could prevent the heater from operating reliably.

An external regulator must be used on all propane (L.P.G.) heaters, in addition to the regulator fitted to the heater, to reduce the supply tank pressure to 13" W.C. (maximum). Any copper tubing used to supply propane (L.P.G.) from the tank must be internally tinned.

### WARNING

**Check Gas Type: The gas supply must be the same as stated on the heater's rating plate. If the gas supply is different, DO NOT INSTALL the heater. Contact your dealer for the correct model.**

### IMPORTANT

**Hold heater regulator with a wrench to prevent movement when connecting to inlet piping.**

### WARNING

**Connecting directly to an unregulated propane (L.P.G.) tank can cause an explosion.**

### IMPORTANT

**Pack unfaced fiberglass insulation material (not provided) around the gas line access hole on appliance and all exterior gas line penetration holes.**

## TEST ALL CONNECTIONS FOR GAS LEAKS (FACTORY AND FIELD)

Test all gas joints from the gas meter to the gas heater regulator for leaks using a gas leak test solution (also referred to as bubble leak solution).

**NOTE:** Using a soapy water solution as a leak detection solution is not recommended because the soap residue that is left on the pipes/fittings can result in a false-positive leak detection reading if a gas leak sniffer is used. Soap residue can also result in corrosion over time.

## DO NOT USE AN OPEN FLAME TO CHECK FOR LEAKS.

### Leak Test Procedure:

Turn on gas supply and test for gas leaks using a gas leak test solution.

- A. Light the appliance (refer to the lighting instructions label provided with gas logs).
- B. Brush all joints and connections with the gas leak detection solution. If bubbles are formed, or gas odor is detected, turn the gas control knob (off/pilot/on) to the “OFF” position. Either tighten or refasten the leaking connection, then retest as described above.
- C. When the gas lines are tested and found to be leak free, rinse off the leak testing solution from gas line fittings.



## Firebox Framing

Construct firebox framing following **Figures 7 through 9** and **Table 1** on **Page 11** for your specific installation requirements. Refer to **Figure 6** on **Page 10** for firebox dimensions.

The firebox may be installed directly on a combustible floor or raised on a platform of an appropriate height. When the appliance is installed directly on carpeting, vinyl tile (other than ceramic) or other combustible material, other than wood flooring, the appliance shall be installed on a metal or wood panel extending the full width and depth of the appliance. Be sure firebox rests on a solid continuous floor or platform with appropriate framing for support and so that no cold air can enter room from under the firebox.

### CAUTION

**Do not block the heat-circulating air inlets and outlets on these fireboxes. Doing so may create a potential fire hazard.**

The firebox may be positioned and then the framing built around it, or the framing may be constructed and the firebox positioned into the opening.

Usually, no special floor support is needed for the firebox, however, to be certain:

1. Estimate the total weight of the firebox system and surround materials such as marble, brick, stone, etc., to be installed (see *Product Reference Table* on **Page 10** for appliance weight).
2. Measure the square footage of the floor space to be occupied by the system and surrounds.

3. Note the floor construction, i.e. 2" x 6", 2" x 8" or 2" x 10", single or double joists, type and thickness of floor boards.

4. Use this information and consult your local building code to determine if you need additional support.

If you plan to raise the firebox, build the platform assembly then position firebox on top. Secure the platform to the floor to prevent possible shifting.

## Firebox Installation

**Step 1.** Frame these appliances as illustrated in **Figures 7 through 9**. All framing details must allow for a minimum clearance to combustible framing members as shown in **Figures 2 through 4**. Also refer to appliance specifications on **Page 10**. Headers may be in direct contact with the appliance top spacers but must not be supported by them or notched to fit around them. All construction above the appliance must be self supporting, **DO NOT USE THE APPLIANCE FOR STRUCTURAL SUPPORT**.

**NOTE:** The framed depth from a framed wall, must always be measured from a finished surface. If a wall covering such as drywall is to be attached to the rear wall, then the depth must be measured from the drywall surface. It is important that this dimension be exact.

**Step 2.** Level the firebox by checking the top edge of the firebox. Shim if necessary.

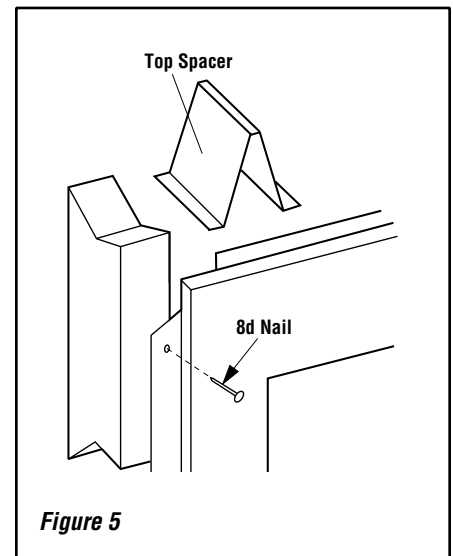
**Step 3.** Fireplace should be secured to side framing members using the full length nailing tabs at the top and bottom of the fireplace front face. Use 8d nails (see **Figure 5**).

**NOTE:** The nailing flange and the area directly behind the nailing flange is exempt from the clearances described on the firebox clearance label.

**Step 4.** To safely operate the heater with consideration of the mantel clearances the hood must be installed (Model ORIONLR32 Only).

### IMPORTANT

**Under no circumstances shall the firebox top spacers be removed or modified (see Figure 5). The header may be in direct contact with the top spacers but must not be supported by them, notched or altered to fit around them.**



**Figure 5**

# SPECIFICATIONS

## Fireplace Dimensions

| Model No.                  | A            | B               | C                | D               | E               | F           | G         | H              | J               | K              | L           | M             | N              | P               | *Q              |
|----------------------------|--------------|-----------------|------------------|-----------------|-----------------|-------------|-----------|----------------|-----------------|----------------|-------------|---------------|----------------|-----------------|-----------------|
| ORIONLR32WH<br>ORIONLR32WS | 33<br>(839)  | 27-7/8<br>(708) | 37-3/4<br>(956)  | 37-1/4<br>(947) | 19-1/2<br>(496) | 20<br>(508) | 3<br>(77) | 3-3/16<br>(81) | 15-7/8<br>(404) | 7-1/2<br>(191) | 12<br>(305) | 1-3/8<br>(35) | 5-1/2<br>(140) | 30-3/8<br>(772) | 29-5/8<br>(753) |
| ORIONLR36WH<br>ORIONLR36WS | 36<br>(915)  | 27-7/8<br>(708) | 41-3/4<br>(1061) | 37-1/4<br>(947) | 23-1/2<br>(597) | 20<br>(508) | 3<br>(77) | 3-3/16<br>(81) | 15-7/8<br>(404) | 7-1/2<br>(191) | 12<br>(305) | 1-3/8<br>(35) | 5-1/2<br>(140) | 30-3/8<br>(772) | 29-5/8<br>(753) |
| ORIONLR42WH<br>ORIONLR42WS | 42<br>(1067) | 27-7/8<br>(708) | 47-3/4<br>(1213) | 37-1/4<br>(947) | 29-1/2<br>(749) | 20<br>(508) | 3<br>(77) | 3-3/16<br>(81) | 15-7/8<br>(404) | 7-1/2<br>(191) | 12<br>(305) | 1-3/8<br>(35) | 5-1/2<br>(140) | 30-3/8<br>(772) | 29-5/8<br>(753) |

## Product Reference Information

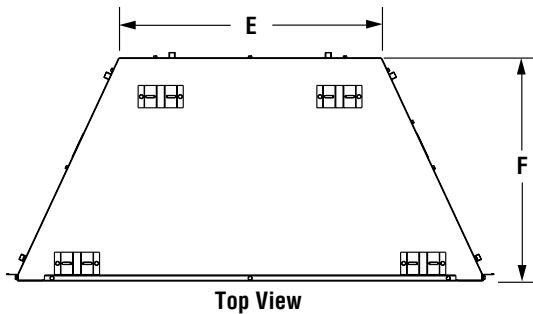
| Cat. No. | Model       | Ship. Weight (lbs) | Shipping Volume |
|----------|-------------|--------------------|-----------------|
| F4076    | OrionLR32WS | 180 lbs            | 20 Cu. Ft       |
| F4077    | OrionLR32WH | 180 lbs            | 20 Cu. Ft       |
| F4079    | OrionLR36WS | 200 lbs            | 22 Cu. Ft       |
| F4080    | OrionLR36WH | 200 lbs            | 22 Cu. Ft       |
| F4082    | OrionLR42WS | 230 lbs            | 26 Cu. Ft       |
| F4083    | OrionLR42WH | 230 lbs            | 26 Cu. Ft       |

## Interior Firebox Dimensions\*\*

| Firebox Model | 32"          | 36"          | 42"          |
|---------------|--------------|--------------|--------------|
| Front Width   | 31 (788)     | 35 (889)     | 41 (1042)    |
| Rear Width    | 19-1/4 (489) | 23-1/4 (591) | 29-1/4 (743) |
| Depth         | 17-3/8 (441) | 17-3/8 (441) | 17-3/8 (441) |
| Height        | 27-7/8 (708) | 27-7/8 (708) | 27-7/8 (708) |

\*\*Dimensions are to assist you in selecting a log set that is a compatible size.

Inches (millimeters)



\* A hood comes standard and is required for model OrionLR32 Series. The factory-supplied hood must be installed on the firebox for safe operation for model OrionLR 32 in all installations. This part is optional for models OrionLR 36 and OrionLR 42 series fireboxes.

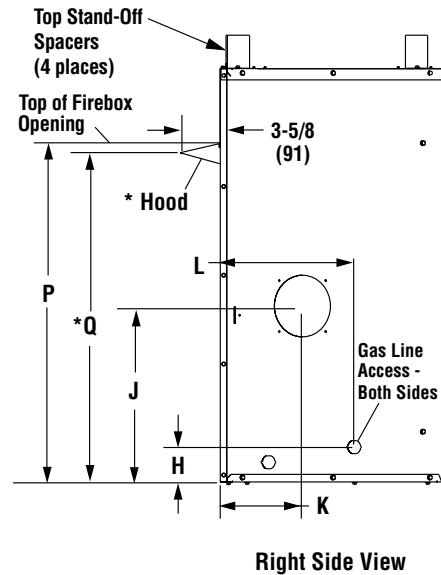
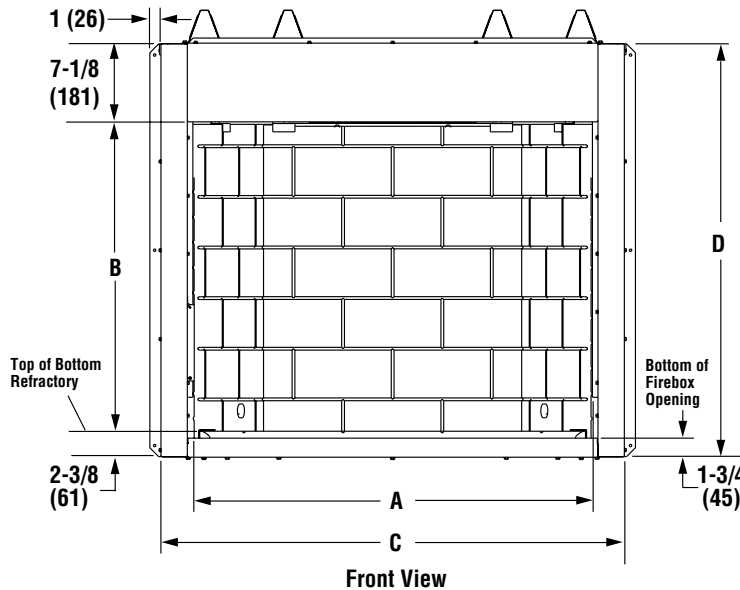


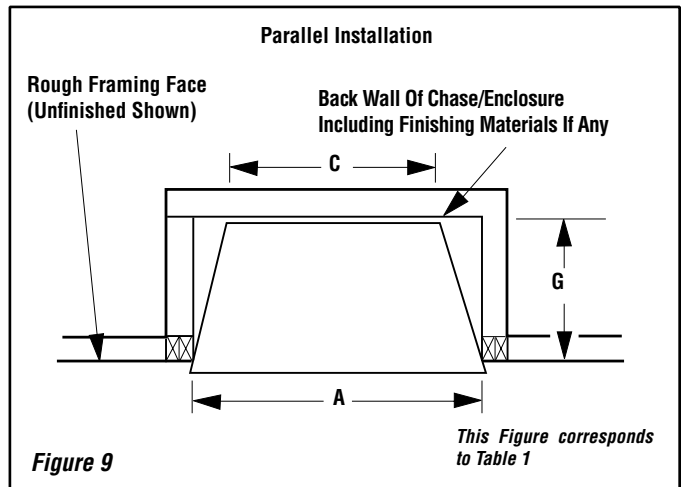
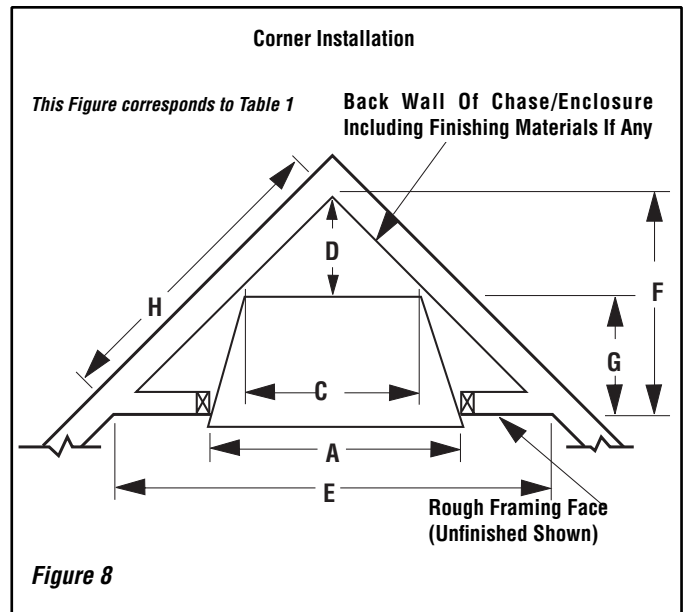
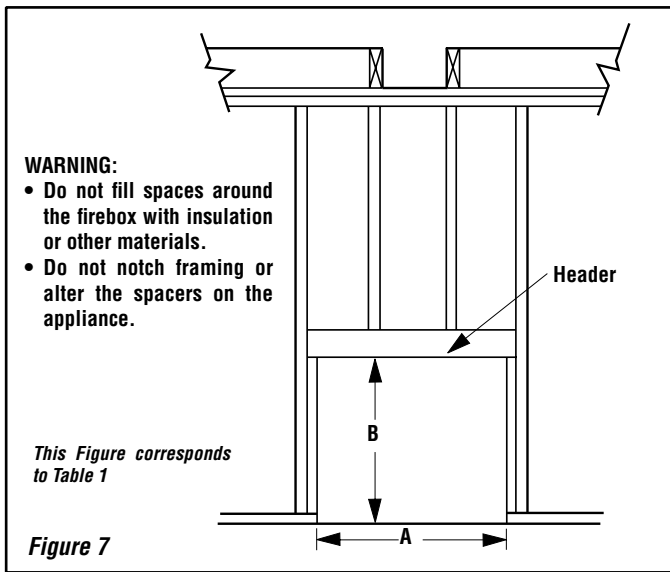
Figure 6

# FRAMING SPECIFICATIONS

| Framing Dimensions |                            |                            |                            |
|--------------------|----------------------------|----------------------------|----------------------------|
| Opening            | OrionLR32WH<br>OrionLR32WS | OrionLR36WH<br>OrionLR36WS | OrionLR42WH<br>OrionLR42WS |
| A                  | 38-1/4 (972)               | 42-1/4 (1073)              | 48-1/4 (1226)              |
| B                  | 40-1/4 (1022)              | 40-1/4 (1022)              | 40-1/4 (1022)              |
| C                  | 19-5/8 (499)               | 23-5/8 (600)               | 29-5/8 (753)               |
| D                  | 10-1/4 (260)               | 12-1/4 (311)               | 15-1/4 (387)               |
| E                  | 59-3/4 (1518)              | 63-3/4 (1619)              | 69-3/4 (1772)              |
| F                  | 29-7/8 (759)               | 31-7/8 (810)               | 34-7/8 (886)               |
| G *                | 20-1/2 (521)               | 20-1/2 (521)               | 20-1/2 (521)               |
| H                  | 42-1/4 (1073)              | 45 (1143)                  | 49-3/8 (1254)              |

**Table 1 - This Table corresponds to Figures 7, 8 and 9**

\* Back wall of chase/enclosure including finishing materials, if any.



## HOOD KIT INSTALLATION

The firebox canopy (hood) shall not be modified or replaced with a canopy that may be provided with the unvented decorative room heater.

**NOTE:** A hood comes standard and is required for model **ORIONLR32**. The factory-supplied hood must be installed on the firebox for safe operation for model **ORIONLR32** series in all installations (this part is optional for **ORIONLR36** and **ORIONLR42** models). See **Figure 11**.

These hood kits are design to be fitted to the face of the appliance directly above the firebox opening. In addition to providing an aesthetically pleasing appearance to your appliance, the hood reduces heat effects to decorative mantels and finish materials located directly above the fireplace and reduces the Mantel / Trim clearances (see **Figure 4** on **Page 7**).

Please read this entire manual and understood thoroughly before proceeding with the installation of these kits.

**Step 1.** Using a 5/16" nut driver or socket, remove the screen and rod assemblies as shown in **Figure 10**.

**Step 2.** Align the hood with the holes in the side frames as shown in **Figure 11**. Install three screws as shown in **Figure 11**. Make sure hood is level and secure.

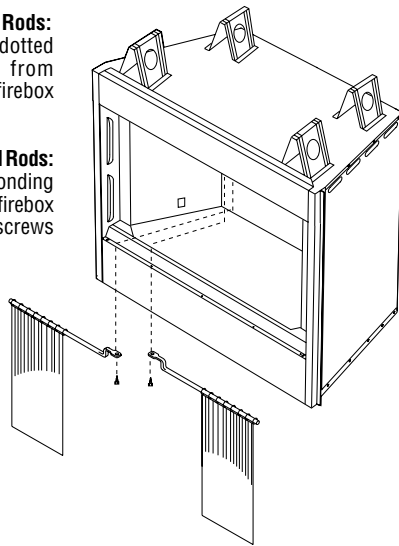
**Step 3.** Reinstall screen and rod assemblies (see **Figure 10**).

### Removing Screens and Rods:

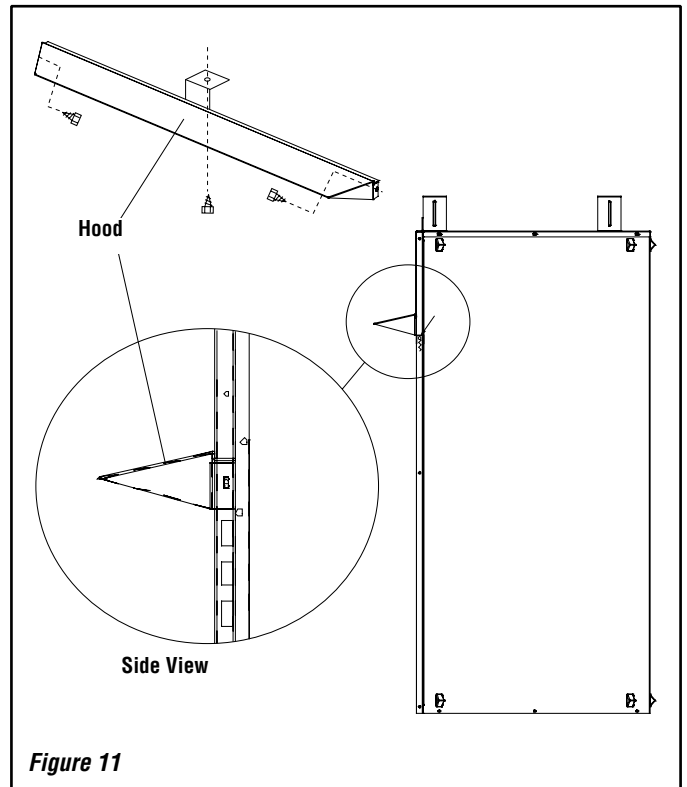
Remove screws (see dotted lines). Pull out rods from locating holes on side of firebox opening.

### Reinstalling Screens and Rods:

Insert rods into corresponding locating holes on sides of firebox opening, then reinstall screws as shown.



**Figure 10**



**Figure 11**

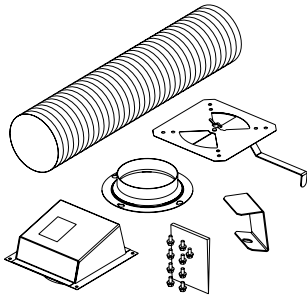
## FIREBOX FINISHES

There are a wide variety of "finished looks" for your built-in Vent-Free firebox from formal wall decor with elaborate mantels to rustic wood paneling or warm brick facings.

Only noncombustible materials like marble, stone, tile, brick, etc. may overlap the black front facing. Seal all joints between the black facing and wall surrounds to prevent air intrusion. Use noncombustible caulking material only to seal the black metal facing to the surround material on the finished wall. See **Figures 3 and 23**.

**NOTE: No combustible material shall be allowed to overlap or contact any section of the front painted face.**

**APPROVED ACCESSORIES AND COMPONENTS**



**Outside Air Gate and Duct Kit**

These kits have an air gate assembly, 4" diameter duct and a termination hood. The air gate allows adjustment of the amount of outside air delivered to the fire for combustion. Only one kit, located on the right side of the fireplace, is required.

| Outside Air Gate & Duct Kit |           |                             |
|-----------------------------|-----------|-----------------------------|
| Cat. No.                    | Model No. | Description                 |
| H3991                       | OAK-UVFRC | Outside Air Gate & Duct Kit |

(ref. Form #750206M)



**Touch-Up Paint Kit**

Repair of minor scratches and discoloration of the appliance black painted surfaces may be accomplished with the touch-up paint kit.

| Touch-Up Paint Kit |           |   |
|--------------------|-----------|---|
| Cat. No.           | Model No. | Description   |
| F1882              | SCTPSAB   | Black touch-up paint, powder coat (for firebox face and hood) |
| F4032              | ---       | Black touch-up paint, Firebox Interior                        |

*For more information on available log sets for this and other Astria® products, visit [Astria.us.com](http://Astria.us.com).*

## REPLACEMENT PARTS

An exploded view of the firebox with numbered parts and a replacement parts list can be found on the Page. Normally, all parts should be ordered through your distributor or dealer. Parts will be shipped at prevailing prices at time of order.

### NEVER USE SUBSTITUTE MATERIALS. USE OF NON-APPROVED PARTS CAN RESULT IN POOR PERFORMANCE AND SAFETY HAZARDS.

When ordering repair parts, always give the following information:

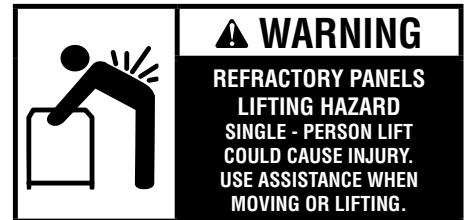
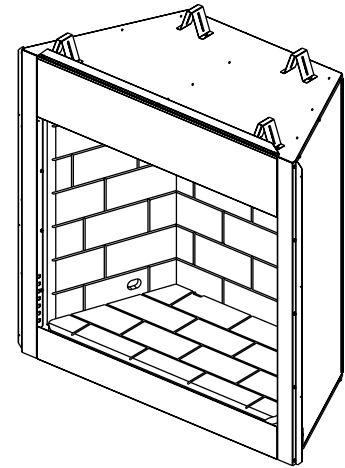
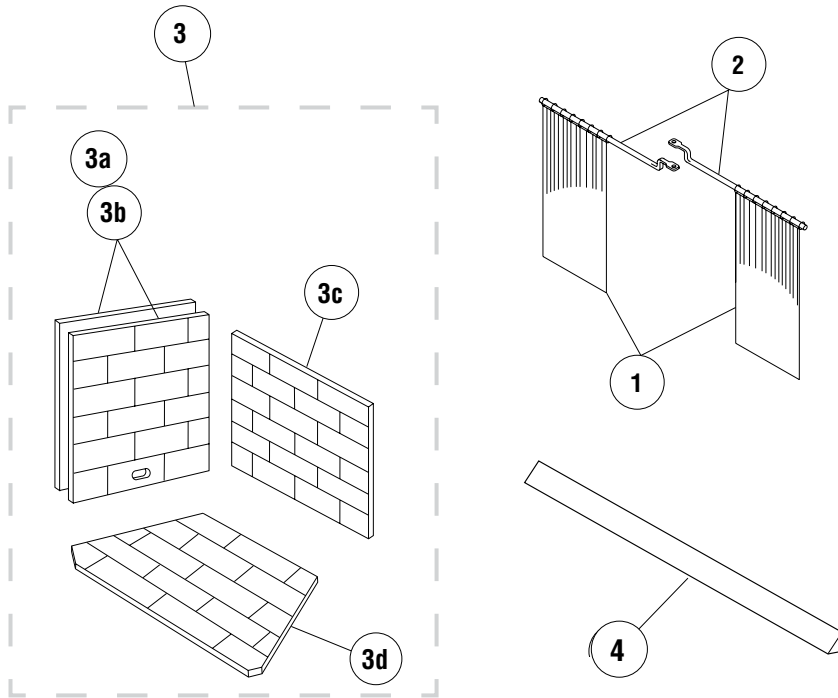
1. The \*model number of the firebox.
2. The \*serial number of the firebox.
3. The part number.
4. The description of the part.
5. The quantity required.
6. The installation date of the firebox.

**\* NOTE:** The model and serial number can be found on the rating label located on the bottom left front corner of the appliance.

If you encounter any problems or have any questions concerning the installation of a Vent-Free heater in this system, please contact your distributor or dealer or visit our website at IHP.us.com for referral information.

## WARNING

**Failure to position the parts in accordance with these diagrams or failure to use only parts specifically approved with this appliance may result in property damage or personal injury.**



| No. | Description                          | OrionLR32WS<br>Cat# F4076 |      | OrionLR32WH<br>Cat# F4077 |      | OrionLR36WS<br>Cat# F4079 |      | OrionLR36WH<br>Cat# F4080 |      | OrionLR42WS<br>Cat# F4082 |      | OrionLR42WH<br>Cat# F4083 |      |
|-----|--------------------------------------|---------------------------|------|---------------------------|------|---------------------------|------|---------------------------|------|---------------------------|------|---------------------------|------|
|     |                                      | Cat. No.                  | Qty. | Cat. No.                  | Qty. | Cat. No.                  | Qty. | Cat. No.                  | Qty. | Cat. No.                  | Qty. | Cat. No.                  | Qty. |
| 1   | Firescreen                           | H2694                     | 2    | H2694                     | 2    | H2694                     | 2    | H2694                     | 2    | H2699                     | 2    | H2699                     | 2    |
| 2   | Rod, Screen                          | F3376                     | 2    | F3376                     | 2    | H3919                     | 2    | H3919                     | 2    | H2700                     | 2    | H2700                     | 2    |
| 3   | Refractory Panel Set, 4 pc.          | F4100                     | 1    | F4099                     | 1    | F3528                     | 1    | F3396                     | 1    | F3529                     | 1    | F3530                     | 1    |
| 3a  | Refractory Panel, Left (order set)   | --                        | --   | --                        | --   | --                        | --   | --                        | --   | --                        | --   | --                        | --   |
| 3b  | Refractory Panel, Right (order set)  | --                        | --   | --                        | --   | --                        | --   | --                        | --   | --                        | --   | --                        | --   |
| 3c  | Refractory Panel, Rear (order set)   | --                        | --   | --                        | --   | --                        | --   | --                        | --   | --                        | --   | --                        | --   |
| 3d  | Refractory Panel, Bottom (order set) | --                        | --   | --                        | --   | --                        | --   | --                        | --   | --                        | --   | --                        | --   |
| 4   | Hood                                 | F3381                     | 1    | F3381                     | 1    | H1989                     | 1    | H1989                     | 1    | H1990                     | 1    | H1990                     | 1    |

# Innovative Hearth Products Astria® Brand Gas Fireplace Limited Lifetime Warranty

## THE WARRANTY

Innovative Hearth Products ("IHP") Limited Lifetime Warranty warrants your Astria® brand gas fireplace ("Product") to be free from defects in materials and workmanship at the time of manufacture. The product body, firebox and barrier carry the Limited Lifetime Warranty. Ceramic glass carries the Limited Lifetime Warranty against thermal breakage only. After installation, if covered components manufactured by IHP are found to be defective in materials or workmanship during the Limited Lifetime Warranty period and while the Product remains at the site of the original installation, IHP will, at its option, repair or replace the covered components. If repair or replacement is not commercially practical, IHP will, at its option, refund the purchase price or wholesale price of the IHP product, whichever is applicable. IHP will also pay IHP prevailing labor rates, as determined in its sole discretion, incurred in repairing or replacing such components for up to five years. THERE ARE EXCLUSIONS AND LIMITATIONS to this Limited Lifetime Warranty as described herein.

## COVERAGE COMMENCEMENT DATE

Warranty coverage begins on the date of purchase. In the case of new home construction, warranty coverage begins on the date of first occupancy of the dwelling or six months after the sale of the Product by an independent IHP dealer/distributor, whichever occurs earlier. The warranty shall commence no later than 24 months following the date of product shipment from IHP, regardless of the installation or occupancy date.

## EXCLUSIONS AND LIMITATIONS

This Limited Lifetime Warranty applies only if the Product is installed in the United States or Canada and only if operated and maintained in accordance with the printed instructions accompanying the Product and in compliance with all applicable installation and building codes and good trade practices.

This warranty is non-transferable and extends to the original owner only. The Product must be purchased through a listed supplier of IHP and proof of purchase must be provided. The product body, firebox and barrier carry the Limited Lifetime Warranty from the date of installation. Vent components, trim components and paint are excluded from this Limited Lifetime Warranty. The following do not carry the Limited Lifetime Warranty but are warranted as follows:

- Burner** – Repair or replacement for five years from the date of installation
- Gas components & electrical components** – Repair or replacement for one year from the date of installation
- Gaskets** – Repair or replacement for one year from the date of installation
- Gold & nickel plating** - Replacement for two years from date of installation. Excludes tarnishing
- Labor coverage** – Prevailing IHP labor rates apply for the warranty period of the component
- Light bulbs & batteries** – Replacement for 90 days from the date of installation
- Logs** – Replacement for five years from the date of installation against thermal breakage only
- Optional blowers & remote controls** – Repair or replacement for one year from the date of installation
- Optional glass doors & optional glass accessories** – Repair or replacement for 90 days from the date of installation
- Optional surrounds** – Stone/Natural Materials: Replacement for one year against cracking or breakage due to thermal stress. Other Materials: Replacement for one year. Excludes surface and hairline cracks and scratches or slight color changes that do not affect the operation or safety of the unit
- Tempered Glass** -Replacement for one year from the date of installation

**Parts not otherwise listed carry a 90 day warranty from the date of installation.**

**Whenever practicable, IHP will provide replacement parts, if available, for a period of 10 years from the last date of manufacture of the Product.**

IHP will not be responsible for: (a) damages caused by normal wear and tear, accident, riot, fire, flood or acts of God; (b) damages caused by abuse, negligence, misuse, or unauthorized alteration or repair of the Product affecting its stability or performance (The Product must be subjected to normal use. The Product is designed to burn either natural or propane gas only. Burning conventional fuels such as wood, coal or any other solid fuel will cause damage to the Product, will produce excessive temperatures and could result in a fire hazard.); (c) damages caused by failing to provide proper maintenance and service in accordance with the instructions provided with the Product; (d) damages, repairs or inefficiency resulting from faulty installation or application of the Product.

IHP is not responsible for inadequate fireplace system draft caused by air conditioning and heating systems, mechanical ventilation systems, or general construction conditions which may generate negative pressure in the room in which the appliance is installed. Additionally IHP assumes no responsibility for drafting conditions caused by venting configurations, adjoining trees or buildings, adverse wind conditions or unusual environmental factors and conditions that affect the operation of the unit.

This Limited Lifetime Warranty covers only parts and labor as provided herein. In no case shall IHP be responsible for materials, components or construction, which are not manufactured or supplied by IHP or for the labor necessary to install, repair or remove such materials, components or construction. Additional utility bills incurred due to any malfunction or defect in equipment are not covered by this warranty. All replacement or repair components will be shipped F.O.B. from the nearest stocking IHP factory.

## LIMITATION ON LIABILITY

It is expressly agreed and understood that IHP's sole obligation and the purchaser's exclusive remedy under this warranty, under any other warranty, expressed or implied, or in contract, tort or otherwise, shall be limited to replacement, repair, or refund, as specified herein.

In no event shall IHP be liable for any incidental or consequential damages caused by defects in the Product, whether such damage occurs or is discovered before or after repair or replacement, and whether such damage is caused by IHP's negligence. IHP has not made and does not make any representation or warranty of fitness for a particular use or purpose, and there is no implied condition of fitness for a particular use or purpose.

IHP makes no expressed warranties except as stated in this Limited Lifetime Warranty. The duration of any implied warranty is limited to the duration of this expressed warranty.

No one is authorized to change this Limited Lifetime Warranty or to create for IHP any other obligation or liability in connection with the Product. Some states and provinces do not allow the exclusion or limitation of incidental or consequential damages, so the above limitations or exclusions may not apply to you. The provisions of this Limited Lifetime Warranty are in addition to and not a modification of or subtraction from any statutory warranties and other rights and remedies provided by law.

## INVESTIGATION OF CLAIMS AGAINST WARRANTY

IHP reserves the right to investigate any and all claims against this Limited Lifetime Warranty and to decide, in its sole discretion, upon the method of settlement.

To receive the benefits and advantages described in this Limited Lifetime Warranty, the appliance must be installed and repaired by a licensed contractor approved by IHP.

Contact IHP at the address provided herein to obtain a listing of approved dealers/distributors. **IHP shall in no event be responsible for any warranty work done by a contractor that is not approved without first obtaining IHP's prior written consent.**

## HOW TO REGISTER A CLAIM AGAINST WARRANTY

In order for any claim under this warranty to be valid, you must contact the IHP dealer/distributor from which you purchased the product. If you cannot locate the dealer/distributor, then you must notify IHP in writing. IHP must be notified of the claimed defect in writing within 90 days of the date of failure. Notices should be directed to the IHP Warranty Department at 1769 East Lawrence Street, Russellville, AL 35654 or visit our website at [WWW.ASTRIA.US.COM](http://WWW.ASTRIA.US.COM).

---

Innovative Hearth Products (IHP) reserves the right to make changes at any time, without notice, in design, materials, specifications, prices and the discontinuance of colors, styles and products. Consult your local distributor for fireplace code information.



Printed in U.S.A. © 2019 Innovative Hearth Products

16 P/N 900976-00 REV. A 06/2019



1769 East Lawrence Street • Russellville, AL 35654