

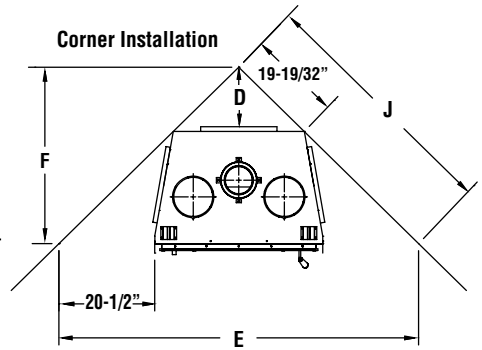
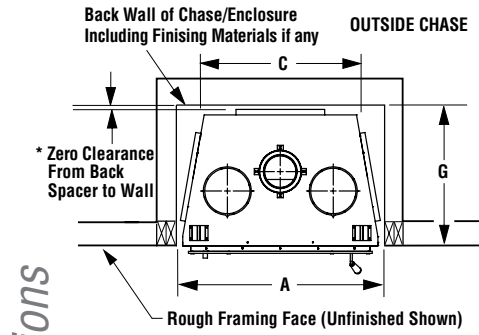
Montecito™

EPA Wood Burning Fireplaces Specifications

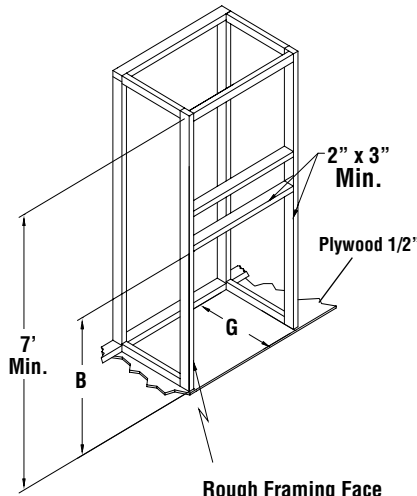
PRODUCT REFERENCE INFORMATION	
Model: MONTE, Cat. No. H4841	
Weight	300 lbs
Height	36"
Width	36"
Depth	24-1/2"
Firebox W x H x D measured in front	22" x 11-3/4" x 12"

FRAMING DIMENSIONS		
Fireplace Opening Width		
A	36-1/4"	921 mm
B	42"	1067 mm
C	30-1/8"	765 mm
D	13-1/2"	343 mm
E	77"	1956 mm
F	37-1/2"	953 mm
G	*24-1/2"	603 mm
J	53-3/4"	1365 mm

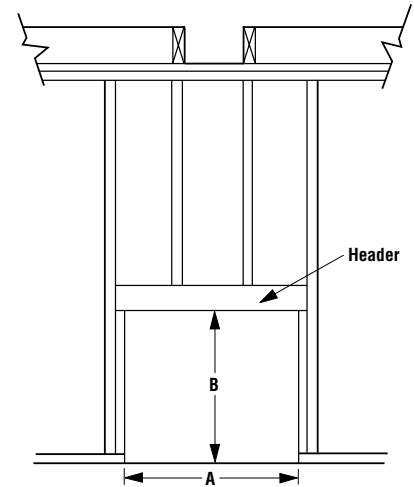
* Total depth is 25 inches including the back standoff minus 1/2 inch for drywall to be flush with the facing.



Framing Dimensions



Rough Framing Face
(dimension includes finish material inside framing, if any)



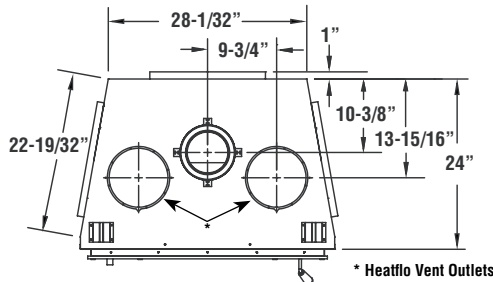
Listing Information



Report No. 14-199

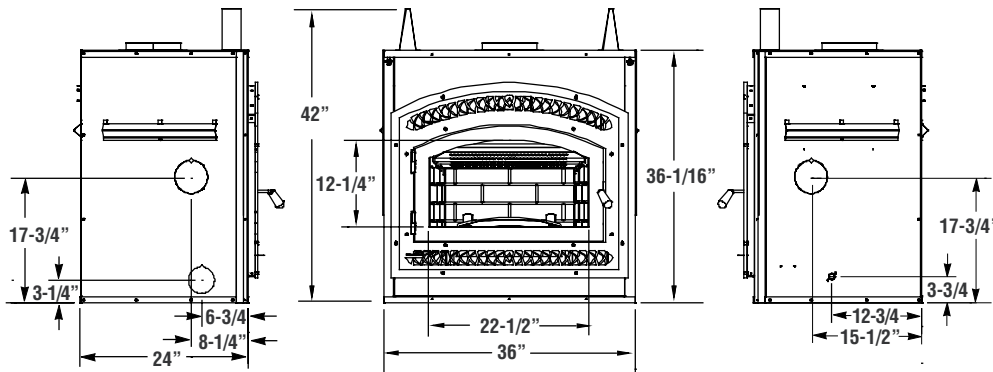
Listed to ULC-S610 & UL-127

EPA certification test emission value 3.7 g/hr per 2015 standard



* Heatflo Vent Outlets

Fireplace Dimensions



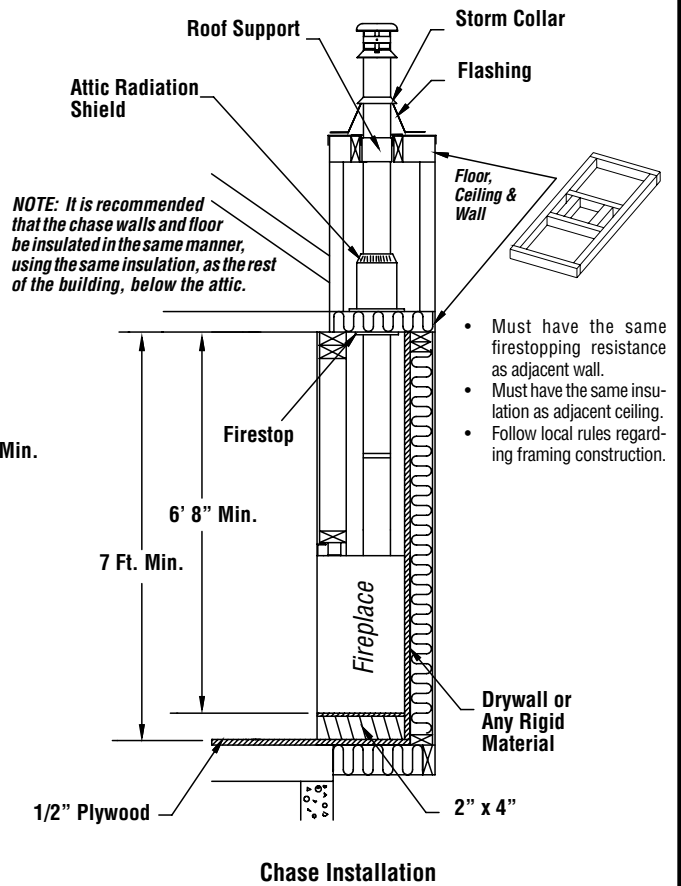
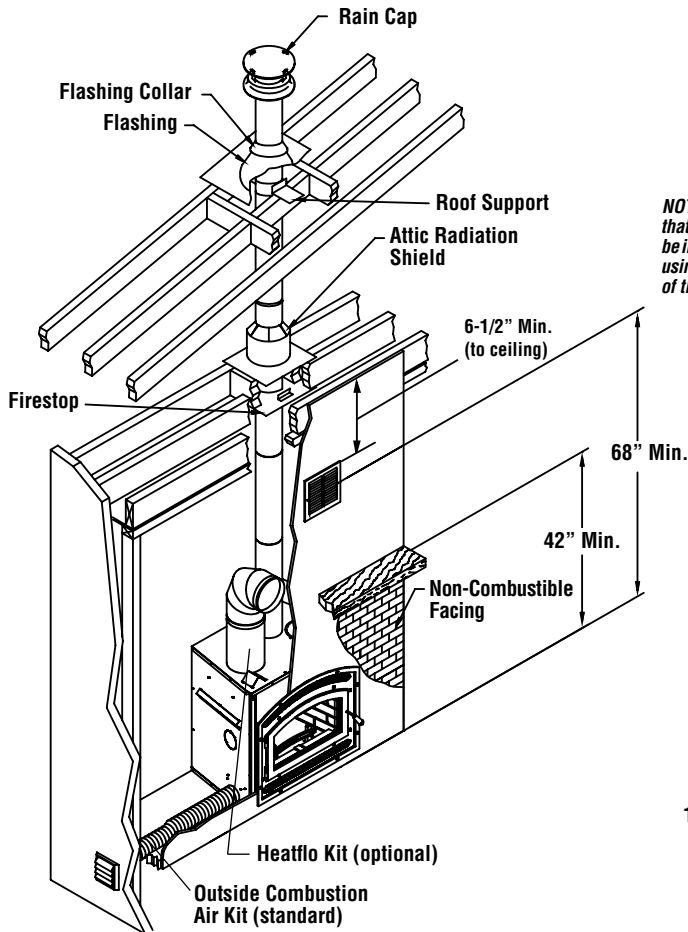
Notes
Diagrams, illustrations and photographs are not to scale – consult installation instructions. Product designs, materials, dimensions, specifications, colors and prices are subject to change or discontinuance without notice.
All framing dimensions calculated for 1/2" dry wall at the fireplace face. If sheathing the chase or finishing with other thickness materials, calculations will need to be made.
* The fireplace must not be in contact with any insulation or loose filling material. Cover the insulation with drywall panels around the fireplace.

INSTALLATION ACCESSORIES

- 6" diameter chimney - United States Model IHP Snap-Pak, including:
 - Chimney lengths
 - Elbows (where necessary)
 - Associated components as per these installation instructions
- 6" diameter chimney - Canada Models ASHT™ & S2100 manufactured by Security Chimneys™ or DuraTech Canada (DTC) manufactured by DuraVent only, including:
 - Chimney lengths
 - Elbows (where necessary)
 - Associated components as per these installation instructions & instructions provided by the venting manufacturer
- Decorative Door - Required (Order Separately)
- Front Facade kit - Required (Order Separately)
- UZY5 Blower Kit (included)
- VRUW Blower Speed Control (included)
- Outside Air Kit (Included)
- Heatflo Convection Kit (optional)
- Forced Air Kit (optional)

EPA Wood Burning Fireplaces Specifications

Typical Installations



CLEARANCE TO COMBUSTIBLES

The following clearances meet the minimum requirements for a safe installation:

Side wall: 17" (324 mm) measured from the fireplace side.

Ceiling: 6' 8" (2032 mm) measured from the base of the fireplace.

Fireplace enclosure:

- Bottom:** 0"
- Side:** 0" to standoff
- Back:** 0" to standoff

Top: Do not fill the space above the fireplace with any material (Except the wood framing)

Chimney: 2" (50 mm)

Mantel: 42" (1067 mm) measured from the base of the fireplace.

Combustible Clearances

