

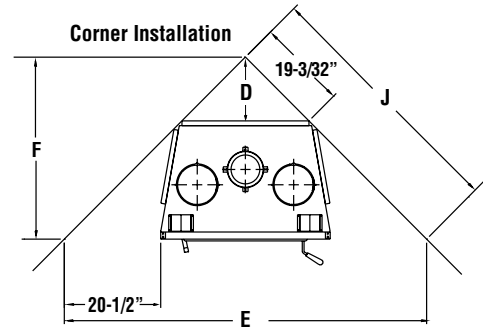
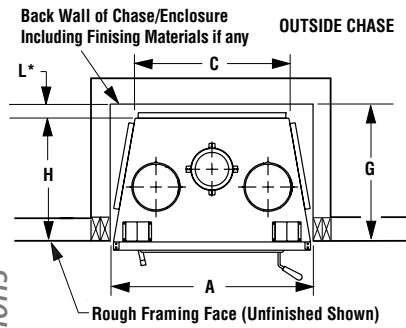
# Brentwood™ SP

## EPA Wood Burning Fireplaces Specifications

PRODUCT REFERENCE INFORMATION	
Model: Brentwood SP, Cat. No. H4825	
Weight	385 lbs
Height	36"
Width	36"
Depth	24-1/2"
Firebox W x H x D measured in front	22" x 11-3/4" x 12"

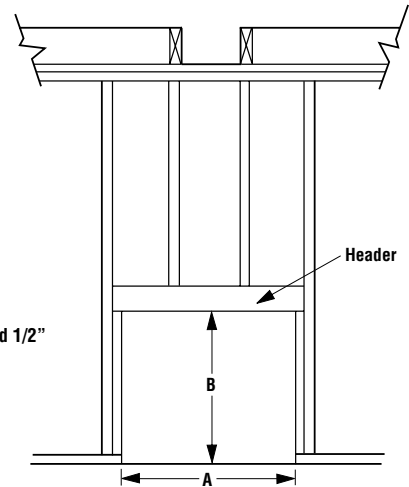
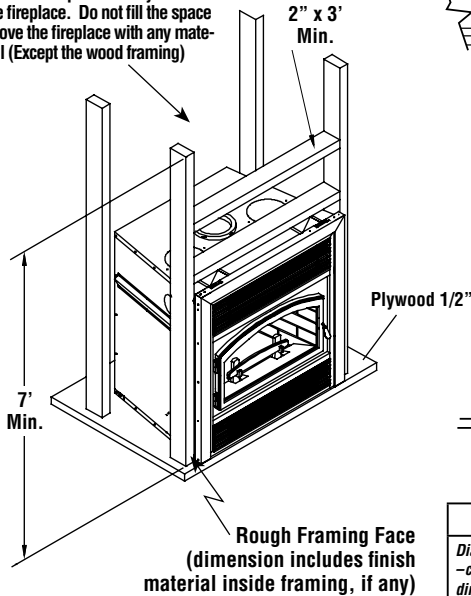
FRAMING DIMENSIONS Fireplace Opening Width		
A	36-3/8"	924 mm
B	37"	940 mm
C	30-1/8"	765 mm
D	13-1/2"	343 mm
E	77"	1956 mm
F	38-1/2"	978 mm
G	*24-1/2"	603 mm
J	54-7/16"	1383 mm

\* Total depth is 25 inches including the back spacer minus 1/2 inch for drywall to be flush with the facing.



Framing Dimensions

Combustible materials can NOT be used in the space directly above the fireplace. Do not fill the space above the fireplace with any material (Except the wood framing)

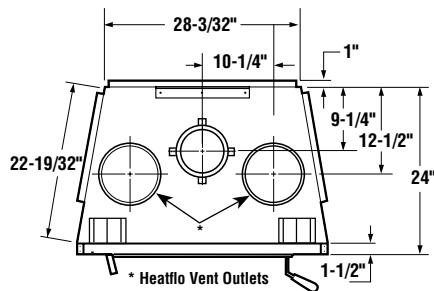


Report No. 14-180

Listed to ULC-S610 & UL-127

EPA certification test emission value 3.7 g/hr per 2015 standard

Listing Information

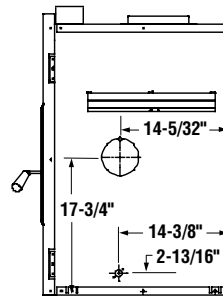
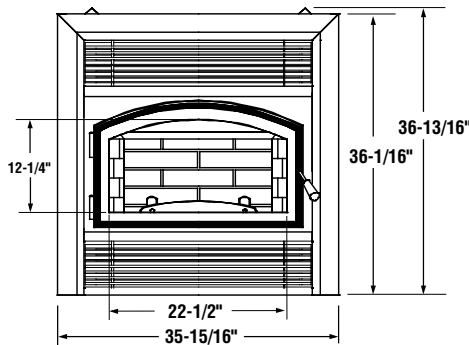
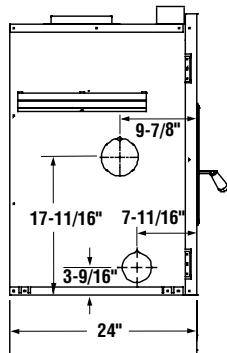


Notes
Diagrams, illustrations and photographs are not to scale – consult installation instructions. Product designs, materials, dimensions, specifications, colors and prices are subject to change or discontinuance without notice.
All framing dimensions calculated for 1/2" dry wall at the fireplace face. If sheathing the chase or finishing with other thickness materials, calculations will need to be made.
* The fireplace must not be in contact with any insulation or loose filling material. Cover the insulation with drywall panels around the fireplace.

### INSTALLATION ACCESSORIES

- Fireplace Model**
- **6" diameter chimney - United States**  
Model IHP Snap-Pak, including:
    - Chimney lengths
    - Elbows (where necessary)
    - Associated components as per these installation instructions
  - **6" diameter chimney - Canada**  
Models ASHT® & S2100 manufactured by Security Chimneys® or DuraTech Canada (DTC) manufactured by DuraVent only, including:
    - Chimney lengths
    - Elbows (where necessary)
    - Associated components as per these installation instructions & instructions provided by the venting manufacturer
  - **Black Cast Iron Door** - Required (Order Separately)
  - **Clean Face Panel Kit** (Order Separately) (must use heatflo kit, F3790)
  - **UZY5 Blower Kit** (included)
  - **VRUW Blower Speed Control** (included)
  - **Outside Air Kit** (included)
  - **Heatflo Convection Kit** (optional)
  - **Forced Air Kit** (optional)

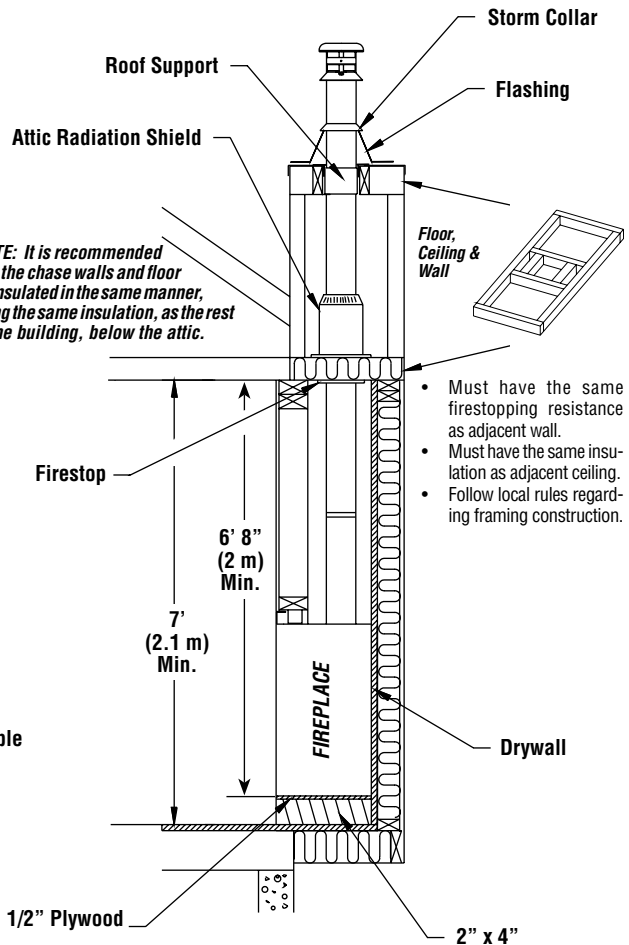
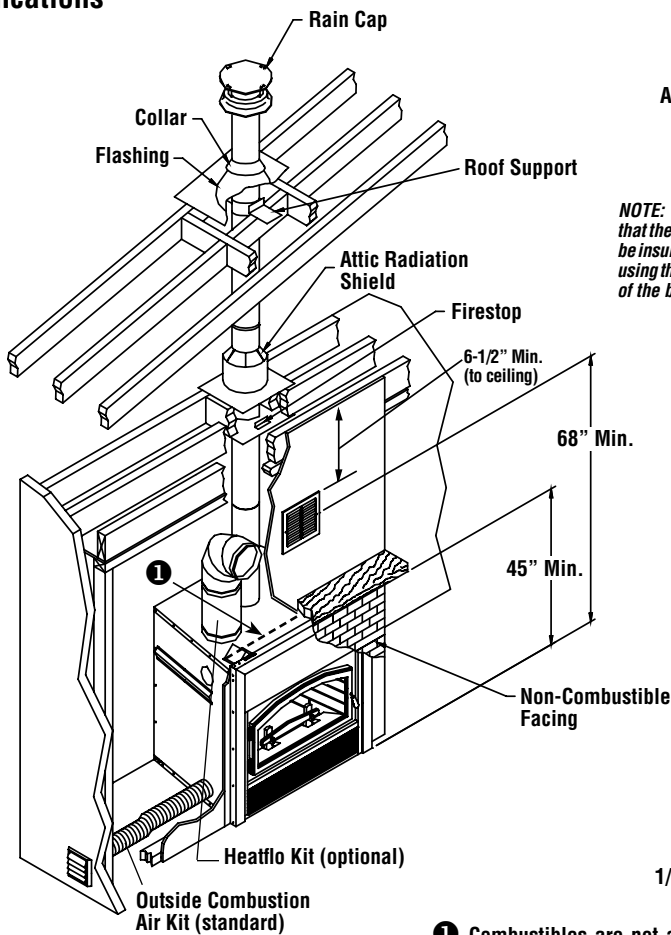
Fireplace Dimensions



# Brentwood™ SP

## EPA Wood Burning Fireplaces Specifications

Typical Installations



**NOTE:** It is recommended that the chase walls and floor be insulated in the same manner, using the same insulation, as the rest of the building, below the attic.

- Must have the same firestopping resistance as adjacent wall.
- Must have the same insulation as adjacent ceiling.
- Follow local rules regarding framing construction.

**1** Combustibles are not allowed below top spacers above the fireplace. Facing in front of fireplace must be non-combustible below this area.

### CLEARANCE TO COMBUSTIBLES

The following clearances meet the minimum requirements for a safe installation:

**Side wall:** 17" (324 mm) measured from the fireplace side.

**Ceiling:** 6' 8" (2032 mm) measured from the base of the fireplace.

**Fireplace enclosure:**

- Bottom:** 0"
- Side:** 0" to standoff
- Back:** 0" to standoff

**Top:** Do not fill the space above the fireplace with any material (Except the wood framing)

**Chimney:** 2" (50 mm)

**Mantel:** 45" (1143 mm) measured from the base of the fireplace.

Combustible Clearances

