

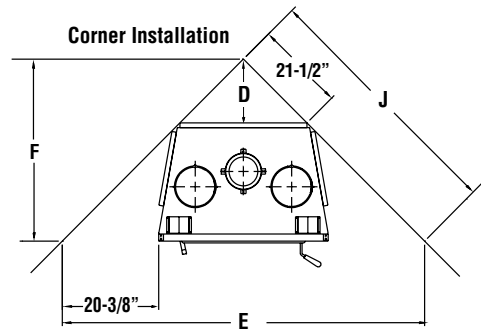
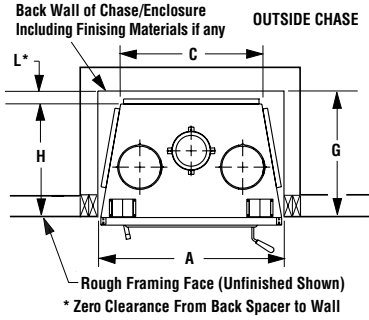
Brentwood™ LV

EPA Wood Burning Fireplaces Specifications

| PRODUCT REFERENCE INFORMATION | |
|--------------------------------------|---------------------|
| Model: Brentwood™ LV, Cat. No. H8295 | |
| Weight | 385 lbs |
| Height | 36" |
| Width | 36" |
| Depth | 24-1/2" |
| Firebox W x H x D measured in front | 22" x 11-3/4" x 12" |

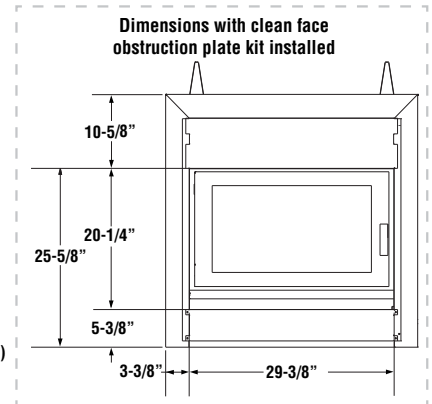
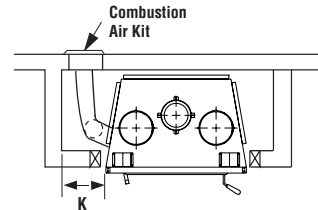
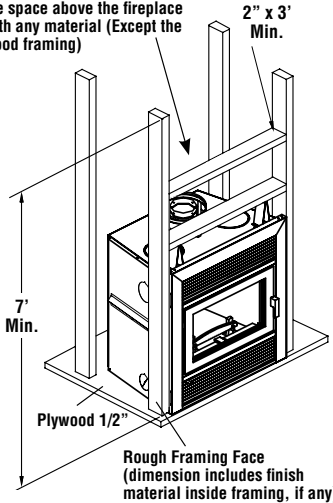
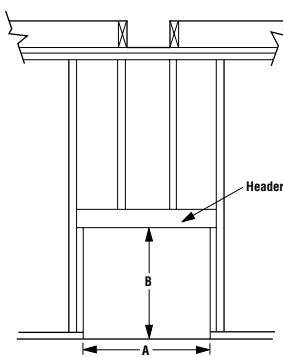
| FRAMING DIMENSIONS | | |
|--------------------|---------|---------|
| A | 36-1/4" | 921 mm |
| B | 40-3/4" | 1035 mm |
| C | 28-1/8" | 714 mm |
| D | 13-1/4" | 337 mm |
| E | 76-3/4" | 1950 mm |
| F | 38-3/8" | 975 mm |
| G | *25" | 635 mm |
| H | 24-1/2" | 622 mm |
| J | 54-1/4" | 1378 mm |
| K | 8" | 203 mm |
| L | 1" | 25 mm |

* Total depth is 25-1/2 inches including the back spacer minus 1/2 inch for drywall to be flush with the facing.



Framing Dimensions

Combustible materials can NOT be used in the space directly above the fireplace. Do not fill the space above the fireplace with any material (Except the wood framing)



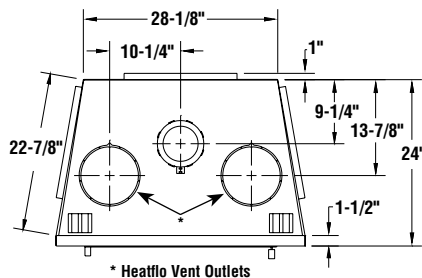
Listing Information



Report No. 14-180

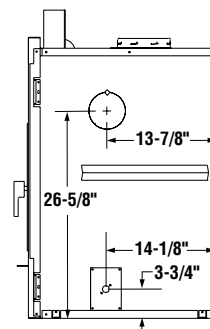
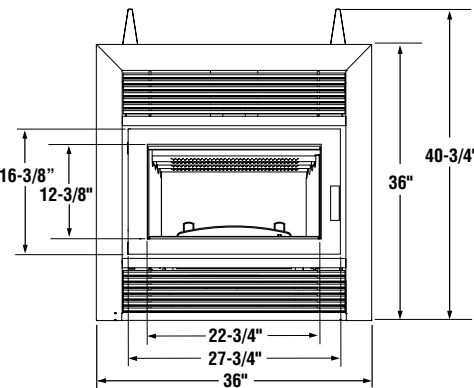
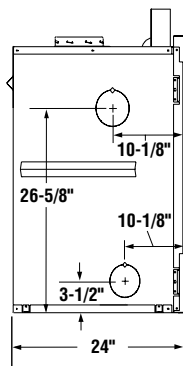
Listed to ULC-S610 & UL-127

EPA certification test emission value 3.7 g/hr per 2015 standard



| Notes |
|---|
| Diagrams, illustrations and photographs are not to scale – consult installation instructions. Product designs, materials, dimensions, specifications, colors and prices are subject to change or discontinuance without notice. |
| All framing dimensions calculated for 1/2" dry wall at the fireplace face. If sheathing the chase or finishing with other thickness materials, calculations will need to be made. |
| * The fireplace must not be in contact with any insulation or loose filling material. Cover the insulation with drywall panels around the fireplace. |

Fireplace Dimensions



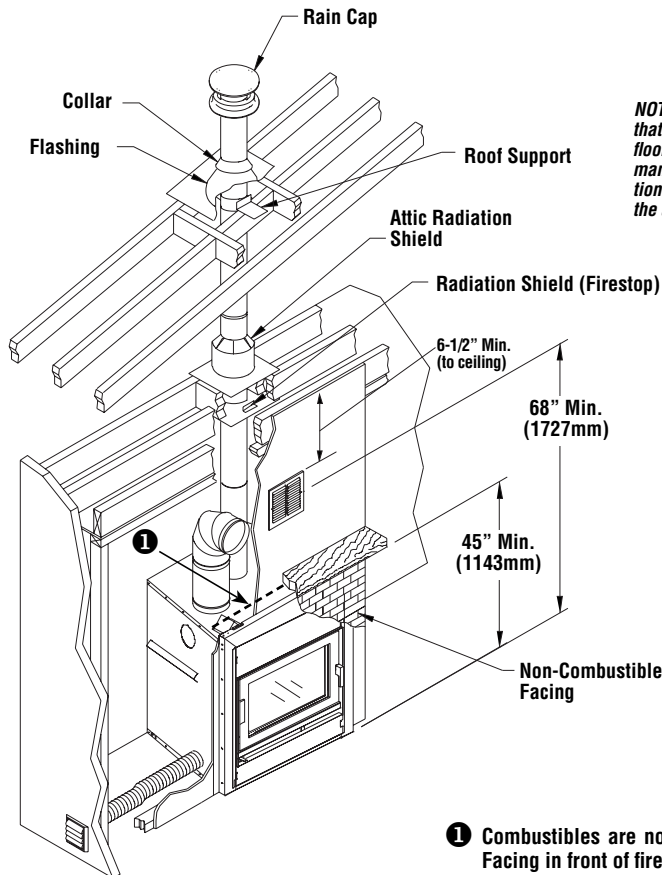
INSTALLATION ACCESSORIES

- 6" diameter chimney - United States
Model IHP Snap-Pak, including:
- Chimney lengths
- Elbows (where necessary)
- Associated components as per these installation instructions
- 6" diameter chimney - Canada
Models ASHT® & S2100 manufactured by Security Chimneys® or DuraTech Canada (DTC) manufactured by DuraVent only, including:
- Chimney lengths
- Elbows (where necessary)
- Associated components as per these installation instructions & instructions provided by the venting manufacturer
- Finishing Kit - Required (Order Separately)
- Louver kit OR Clean Face Kit (must be used in conjunction with a Heatflo Kit)
- Black steel door - Required (included w/fireplace)
- Outside air kit - Required (included w/fireplace)
- Blower kit with thermo-disc (included w/fireplace)
- VRUW Blower Speed Control (optional)
- Outside Air Kit (Included)
- Heatflo Convection Kit (optional)
- Forced Air Kit (optional)

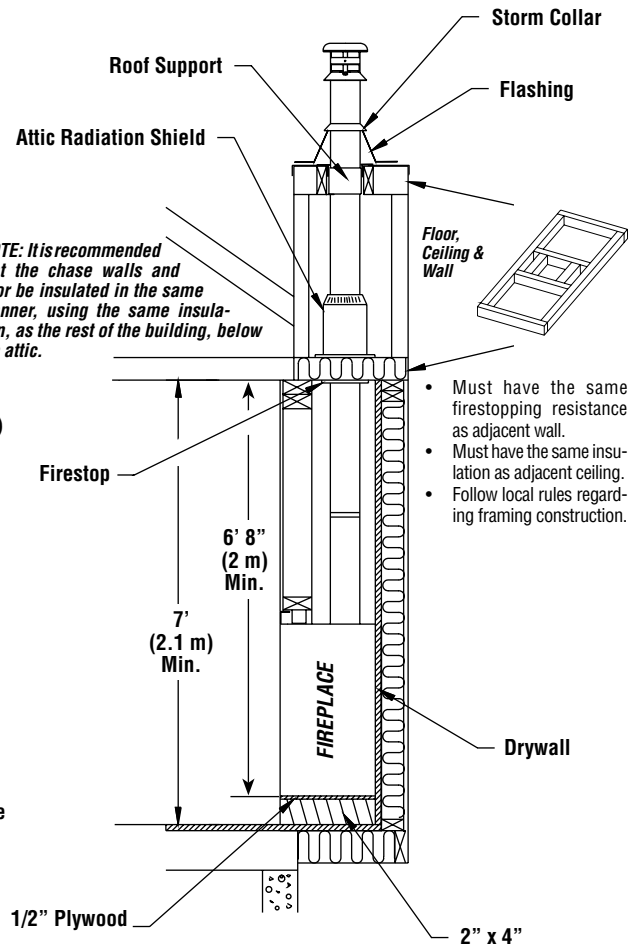
Brentwood™ LV

EPA Wood Burning Fireplaces Specifications

Typical Installations



NOTE: It is recommended that the chase walls and floor be insulated in the same manner, using the same insulation, as the rest of the building, below the attic.



- Must have the same firestopping resistance as adjacent wall.
- Must have the same insulation as adjacent ceiling.
- Follow local rules regarding framing construction.

1 Combustibles are not allowed below top spacers above the fireplace. Facing in front of fireplace must be non-combustible below this area.

CLEARANCE TO COMBUSTIBLES

The following clearances meet the minimum requirements for a safe installation:

Side wall: 24" (610 mm) measured from the fireplace side.

Ceiling: 6' 8" (2032 mm) measured from the base of the fireplace.

Fireplace enclosure:

- Bottom:** 0"
- Side:** 0" to standoff
- Back:** 0" to standoff

Top: Do not fill the space above the fireplace with any material (Except the wood framing)

Chimney: 2" (50 mm)

Mantel: 45" (1143 mm) measured from the base of the fireplace.

Combustible Clearances

