

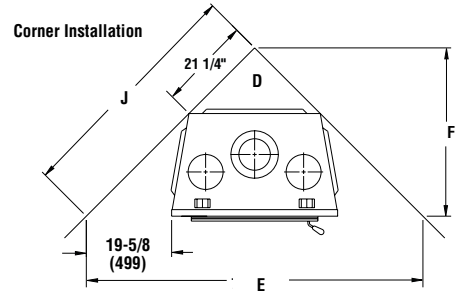
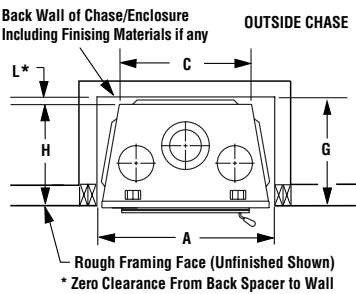
VILLA VISTA™

EPA Wood Burning Fireplaces Specifications

Cat. #	Model	Description
H3250	Villa Vista	EPA Wood-Burning Fireplace

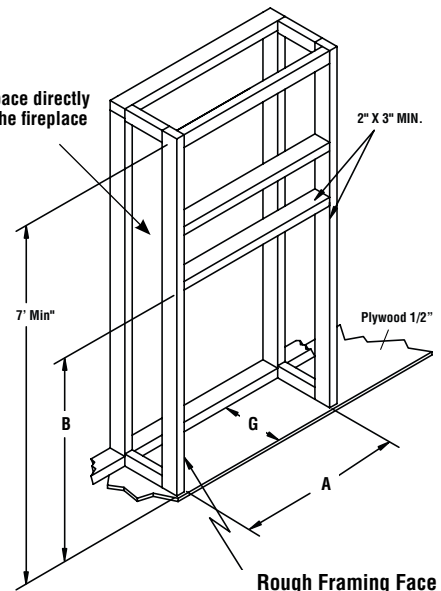
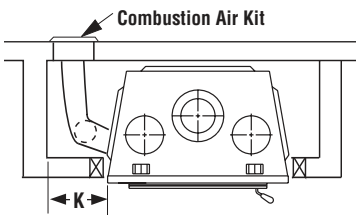
Product Reference Information	
Weight	385 lbs
Height	45"
Width	38"
Depth	24-1/2"

FRAMING DIMENSIONS		
A	38-1/4"	972 mm
B	47-3/8"	1203 mm
C	30-1/8"	765 mm
D	15-1/8"	384 mm
E	77-1/8"	1959 mm
F	38-5/8"	981 mm
G	24"	610 mm
H	23"	504 mm
J	54-1/2"	1384 mm
K	8"	203 mm
L	1"	25 mm

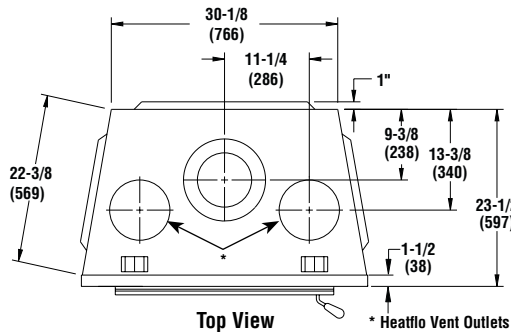


Framing Dimensions

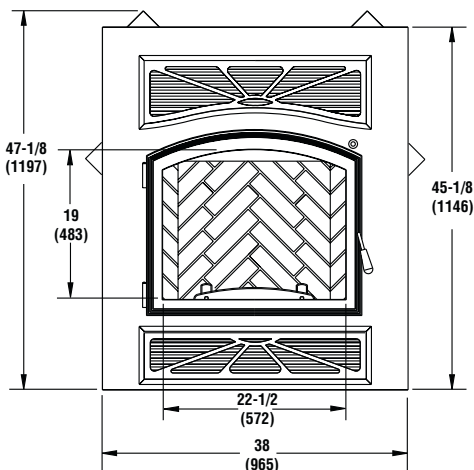
Combustible materials can NOT be used in the space directly above the fireplace. Do not fill the space above the fireplace with any material (Except the wood framing)



Rough Framing Face (dimension includes finish material inside framing, if any)



Top View



Front View

Fireplace Dimensions

Inches (millimeters)

Notes
Diagrams, illustrations and photographs are not to scale – consult installation instructions. Product designs, materials, dimensions, specifications, colors and prices are subject to change or discontinuance without notice.
All framing dimensions calculated for 1/2" dry wall at the fireplace face. If sheathing the chase or finishing with other thickness materials, calculations will need to be made.
The fireplace must not be in contact with any insulation or loose filling material. Cover the insulation with Drywall panels around the fireplace.



Report No. 14-197

Listed to ULC-S610 & UL-127

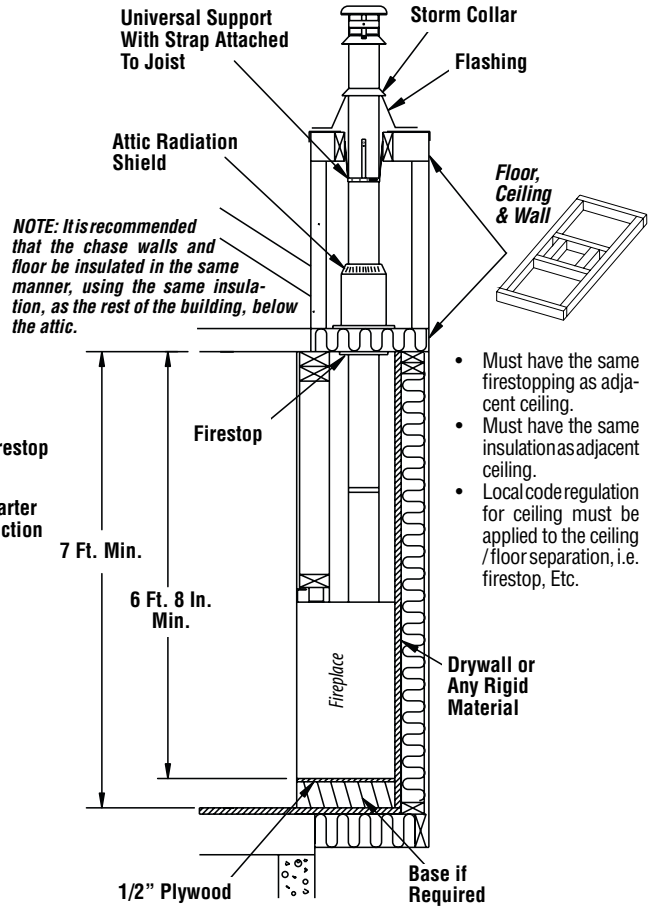
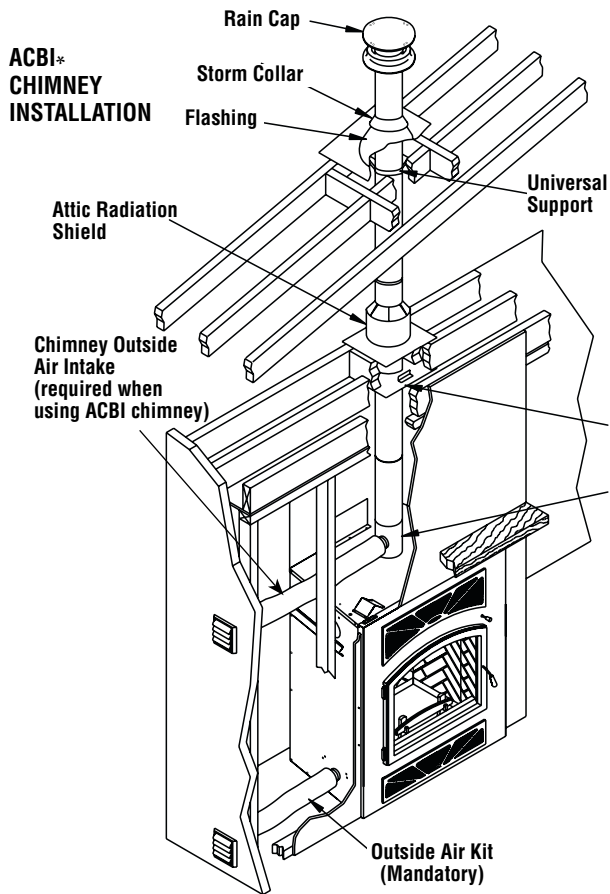
EPA certification test emission value 4.1 g/hr per 2015 standard

Listing Information

VILLA VISTA™

EPA Wood Burning Fireplaces Specifications

Typical Installations



Combustible Clearances

CLEARANCE TO COMBUSTIBLES

The following clearances meet the minimum requirements for a safe installation:

Side wall: 24" (610 mm) measured from the doors edge

Ceiling: 6' 8" (2032 mm) measured from the base of the fireplace

Fireplace enclosure:

Bottom: 0"

Side: 0" to standoff

Back: 0" to standoff

Top: Do not fill the space above the fireplace with any material (7 feet measured from the base of the fireplace)

Chimney: 2" (50 mm)

Mantel: 54" (1372 mm) measured from the base of the fireplace or 48" (1219) when installed with Clean Face Panel option (BPCF) and Heatflo Kit Air Kit

