

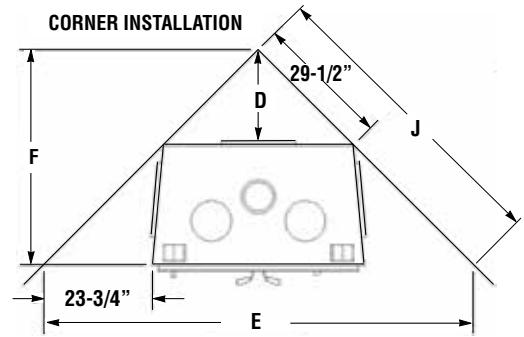
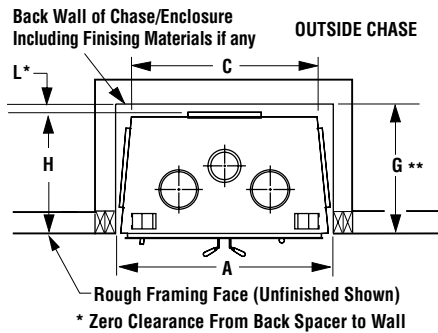
Montecito Estate™ CAT

EPA Wood Fireplaces Specifications

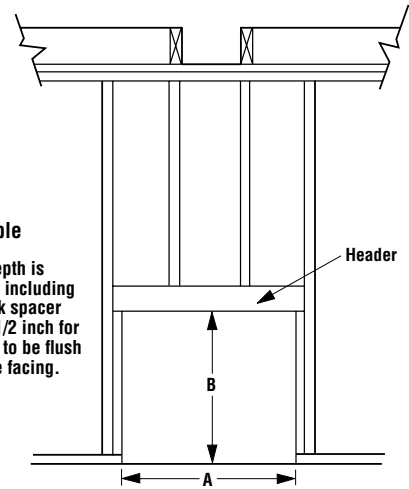
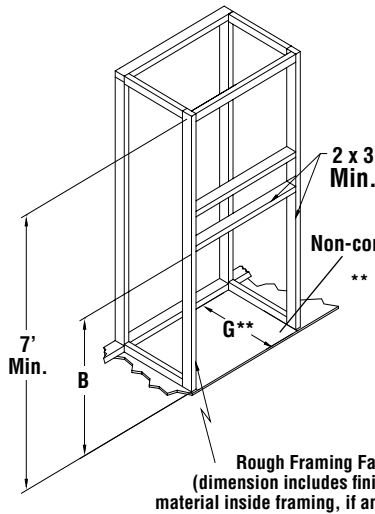
PRODUCT REFERENCE INFORMATION	
Model: Montecito Estate CAT Cat. No. F2845	
Weight	520 lbs
Firebox W x H x D measured in front	31" x 14-1/2" x 14"

FRAMING DIMENSIONS Fireplace Opening Width		
A ①	46-1/4"	1175 mm
B	50"	1270 mm
C	42-3/4"	1086 mm
D	20-7/8"	530 mm
E	93-7/8"	2384 mm
F	47"	1194 mm
G**	27-1/2"	699 mm
H	26-3/4"	680 mm
J	66-3/8"	1686 mm
L*	1"	26 mm

① The front framing width (A= 46-1/4") will need to be 47" before pushing the fireplace into framing.



Framing Dimensions



Listing Information

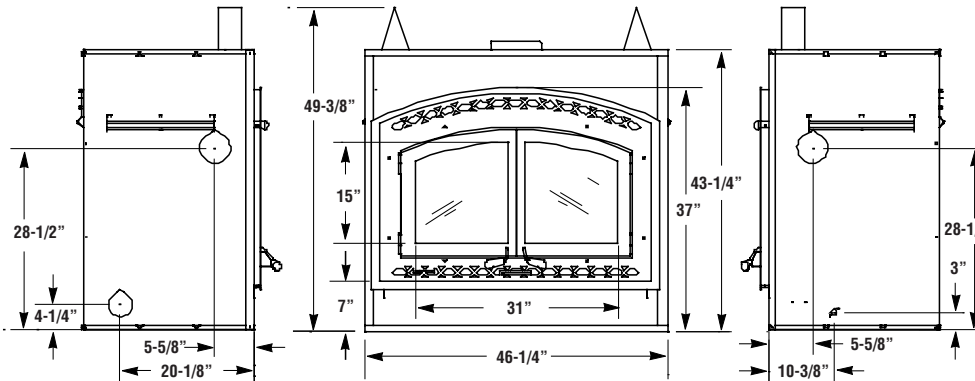
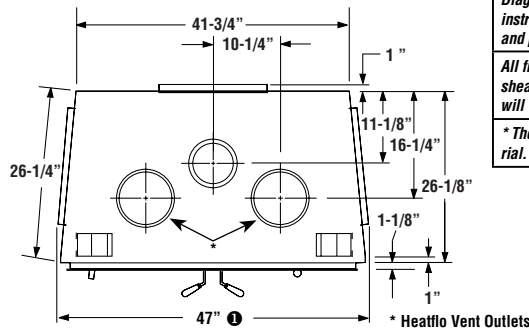


Report No. 16-150

Listed to ULC-S610 & UL-127

EPA certification test emission value 1.3 g/hr per 2020 standard

Fireplace Dimensions



Notes

Diagrams, illustrations and photographs are not to scale – consult installation instructions. Product designs, materials, dimensions, specifications, colors and prices are subject to change or discontinuance without notice.

All framing dimensions calculated for 1/2" dry wall at the fireplace face. If sheathing the chase or finishing with other thickness materials, calculations will need to be made.

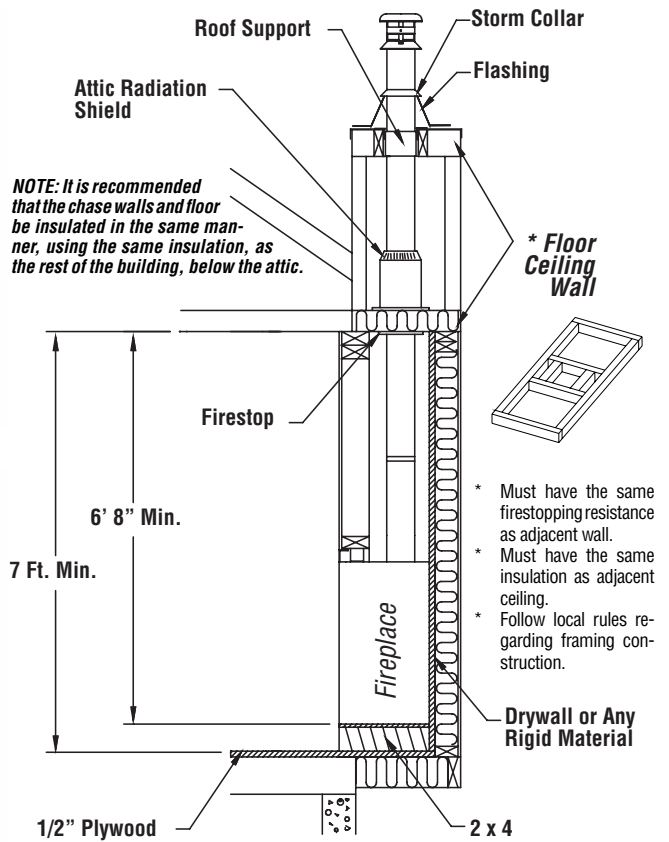
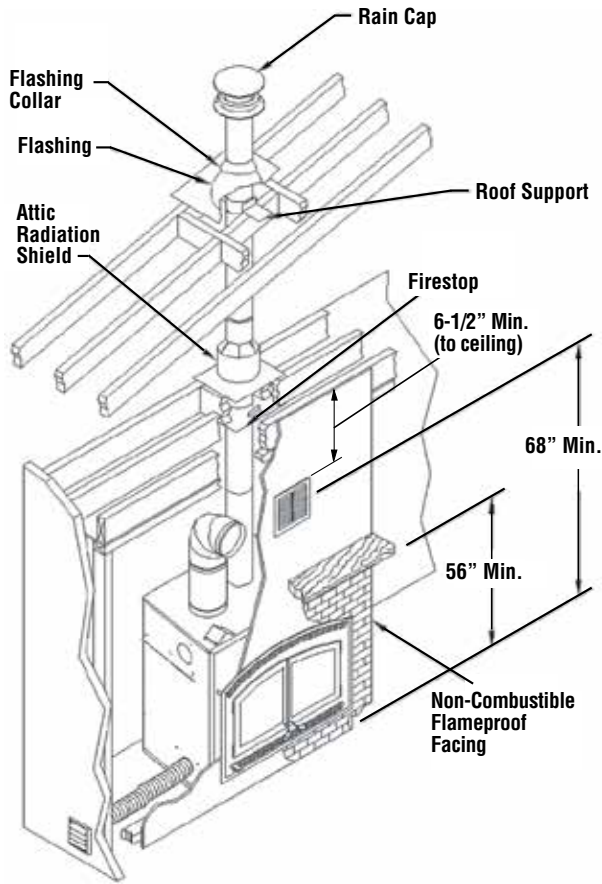
* The fireplace must not be in contact with any insulation or loose filling material. Cover the insulation with drywall panels around the fireplace.

INSTALLATION ACCESSORIES

- 7" diameter chimney - United States Model IHP Snap-Pak, including:
 - Chimney lengths
 - Elbows (where necessary)
 - Associated components as per these installation instructions
- 7" diameter chimney - Canada Models ASHT™ & S2100 manufactured by Security Chimneys® or DuraTech Canada (DTC) manufactured by DuraVent only, including:
 - Chimney lengths
 - Elbows (where necessary)
 - Associated components as per these installation instructions & instructions provided by the venting manufacturer
- Decorative Door - Required (Order Separately)
 - Available in Black or Hammered Steel
- Front Facade kit - Required (Order Separately)
 - Available in Black or Hammered Steel
- UZV5 Blower (included)
- VRUW Blower Speed Control (included)
- Outside air kit (included)
- Forced Air Kit (optional)

Montecito Estate™ CAT

Typical Installations



CLEARANCE TO COMBUSTIBLES

The following clearances meet the minimum requirements for a safe installation:

Side wall: (fireplace front): 24" (457 mm) measured from the fireplace side.

Ceiling: 6' 8" (2032 mm) measured from the base of the fireplace.

Fireplace enclosure:

- Bottom:** 0" to Non-combustible floor
- Side:** 0" to standoff
- Back:** 0" to standoff

Top: Do not fill the space above the fireplace with any material (Except the wood framing)

Chimney: 2" (50 mm)

Mantel: 56" (1422 mm) measured from the base of the fireplace.

Combustible Clearances

