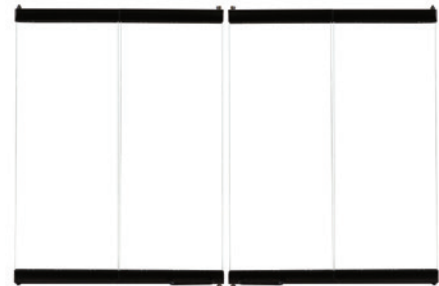




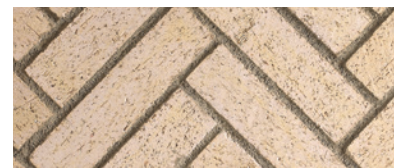
STANDARD FEATURES

- ◆ Radiant design with a 42" tall opening to provide an exceptional view of the fire
- ◆ Tall "Rumford" design with pitched rear wall for maximum radiant heat output
- ◆ Flush hearth floor design (hearth spacer required for combustible floor installations)
- ◆ Massive smoke dome for reliable operation
- ◆ Fully insulated firebox for increased performance in colder climates
- ◆ Split brick herringbone pattern in ivory or warm red
- ◆ Heavy duty cast iron log grate with rugged forged andirons
- ◆ Easy access damper control
- ◆ Dual (left hand/right hand) outside air kits available for maximum performance
- ◆ Uses IHP 12 DM (1700°) double wall air cooled wood burning chimney
- ◆ Uses IHP 12 HT (2100°) heavy gauge double wall air cooled wood burning chimney, recommended for cold climates (required for Canada)
- ◆ 20 Year Limited Warranty

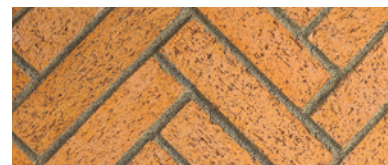
DOORS



BRICK (Choose One)

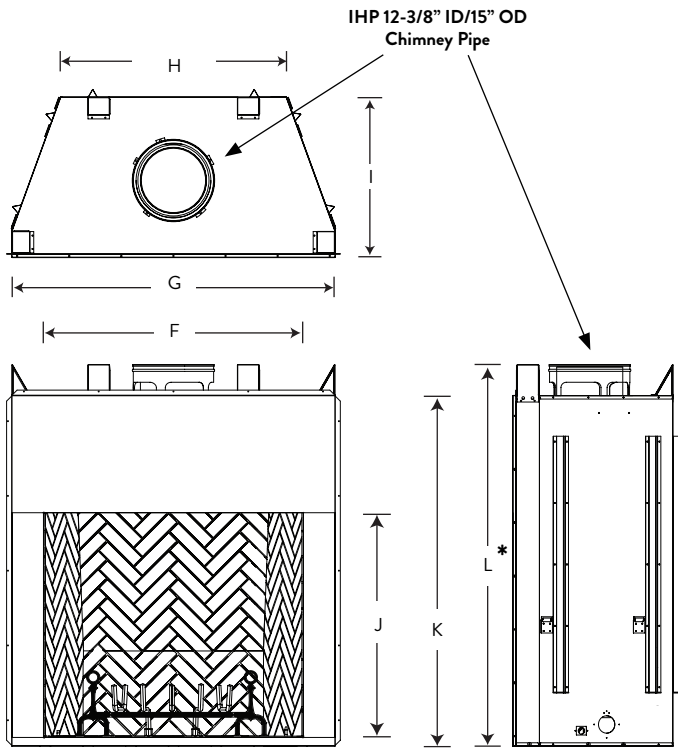


Ivory Split Brick Herringbone



Warm Red Split Brick Herringbone

APPLIANCE SPECIFICATIONS



PLANTATION 48

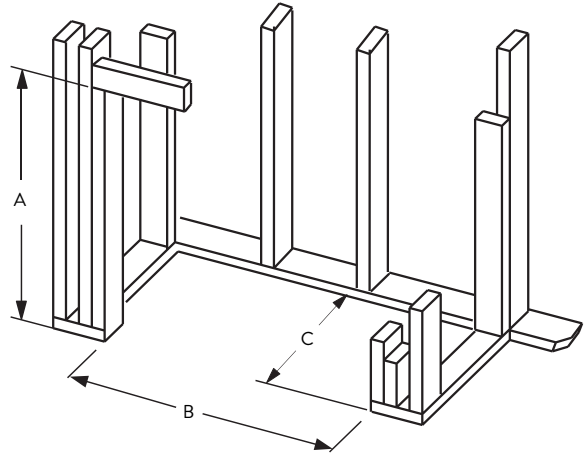
| | |
|---|--|
| F | 48" |
| G | 60-5/8" |
| H | 42-3/8" |
| I | 30" |
| J | 42" |
| K | 65-3/4" |
| L | 71-1/2" * Add 4-3/4" for hearth spacer on combustible floors |

IMPORTANT NOTES:

As with any heating appliance, fireplace or stove, this appliance is extremely hot during operation. Read and understand all operating instructions before using this appliance. For further information, consult your dealer. Local conditions, such as elevation, wind, vent configuration and choice of fuel will affect overall appearance of the fire and heating performance. Performance can also vary with home design and insulation, climate, condition and type of fuel used, appliance location, burn rate, accessories chosen, chimney installation and how the appliance is operated.

DIAGRAMS, ILLUSTRATIONS AND PHOTOGRAPHS ARE NOT TO SCALE—CONSULT INSTALLATION INSTRUCTIONS. PRODUCT DESIGNS, MATERIALS, DIMENSIONS, SPECIFICATIONS, COLORS AND PRICES ARE SUBJECT TO CHANGE OR DISCONTINUANCE WITHOUT NOTICE.

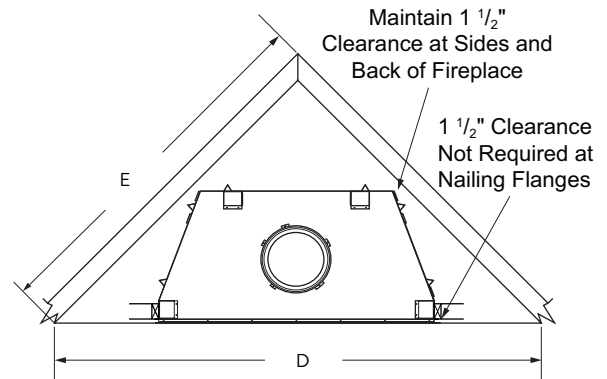
FLAT WALL FRAMING SPECIFICATIONS



PLANTATION 48

| | | |
|---|-----------------------------|-------------------------|
| A | 76-3/8" with hearth spacers | 71-1/2" with no spacers |
| B | 60-7/8" | |
| C | 31-5/8" | |

CORNER FRAMING SPECIFICATIONS



PLANTATION 48

| | |
|---|-----------|
| D | 107-5/16" |
| E | 78-7/8" |

astria
FIREPLACES®

© 2019 Innovative Hearth Products

Visit us online
Astria.us.com

PFS
C US
Report #F09-099

