



STANDARD FEATURES

- ◆ Available in 40" and 45" models
- ◆ Full-size 21" deep models offer a larger fireplace interior and log arrangement
- ◆ 40" models combo top/rear flue config.; 45" models dedicated top flue config.
- ◆ Electronic ignition with seamless battery backup provides continued operation in the event of a power outage (IPI/CPI switch standard).
- ◆ Outstanding heating efficiency for increased comfort and lower operating costs
- ◆ Ceramic glass for optimum heat transfer and a protective screen*
- ◆ Beautifully crafted high-definition ceramic fiber log set with heavy-duty grate
- ◆ Face selections include a Classic inside fit façade or one of several Designer overlap fit façades (required)
- ◆ Interior selections consist of black reflective porcelain or a variety of ceramic fiber liners (required)
- ◆ Mood enhancing interior illumination with six distinctive settings
- ◆ Factory installed blower with six speed settings to fine tune your heating needs
- ◆ Full-function remote control included (IPI/CPI, thermostat, flame height, blower, lighting)
- ◆ Durable textured powder coat finish
- ◆ Limited lifetime warranty

*All applicable models comply with ANSI Z21.88 barrier requirements.

astria.us.com

FACADES (Choose One)



CLASSIC — Black



ARTISAN — Charcoal/Aged Iron



REFLECTION — Black



REFLECTION — Warm Chestnut



CRAFTSMAN — Black



CRAFTSMAN — Warm Chestnut

NOUVELLE DECORATIVE FACE SURROUNDS (Optional)

Available as four-sided or three-sided
(Classic Façade required).



LINERS (Choose One)



Black Reflective



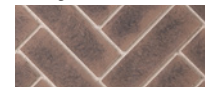
Black Tie Stacked



Charlestown Black H'bone



Heritage Brown Stacked



Tudor Brown Herringbone

MULTI-FUNCTION TOUCH REMOTE (Included)

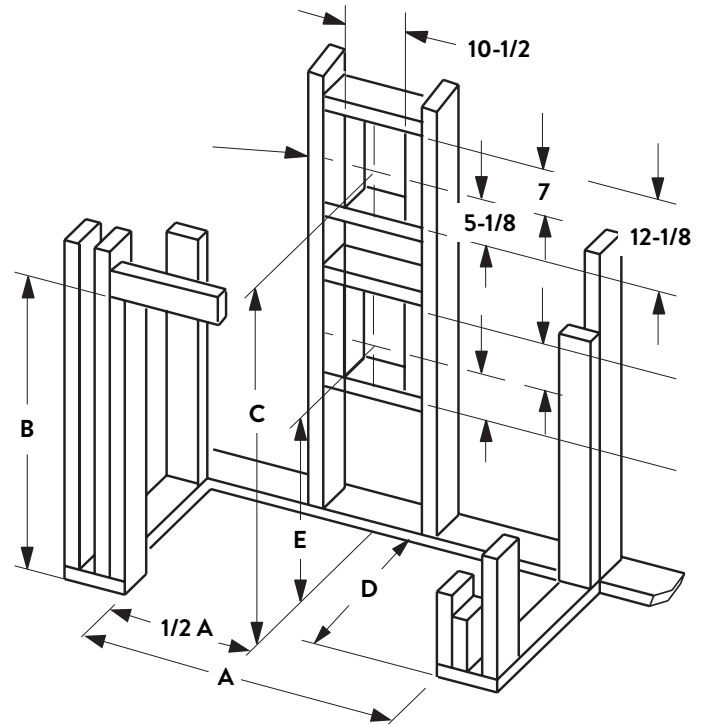
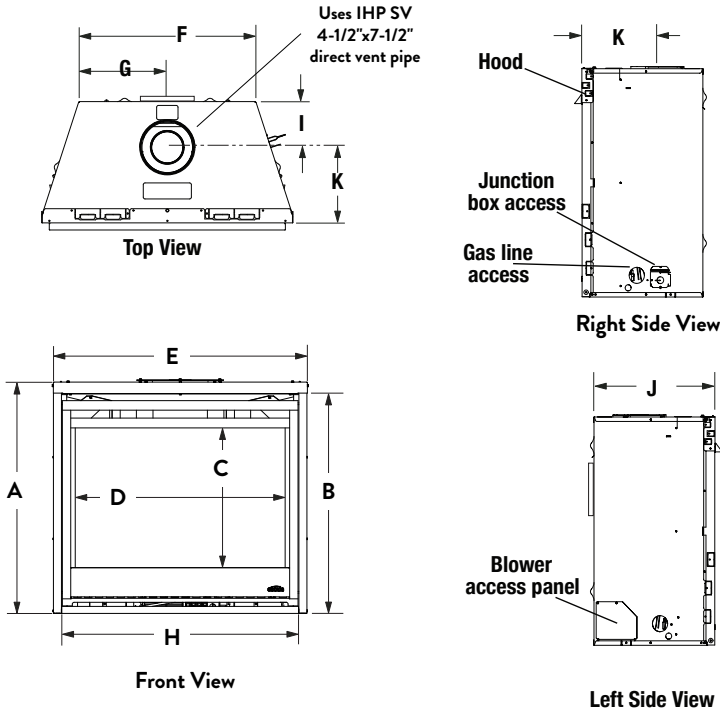


PORCELAIN

CERAMIC FIBER

APPLIANCE SPECIFICATIONS

FLAT WALL FRAMING SPECIFICATIONS



ALTAIR DLX 40" MODELS

ALTAIR DLX 45" MODELS

	ALTAIR DLX 40" MODELS	ALTAIR DLX 45" MODELS
A	37-1/8"	37-1/8"
B	35-1/2"	35-1/2"
C*	24-1/2"	24-1/2"
D*	34-1/4"	39-1/4"
E	40-1/4"	45-1/4"
F	30"	35"
G	15"	17-1/2"
H	37-7/8"	42-7/8"
I	6-7/8"	6-7/8"
J	21"	21"
K	12-3/8"	12-3/8"

*Glass viewing area dimensions

ALTAIR DLX 40" MODELS

ALTAIR DLX 45" MODELS

	ALTAIR DLX 40" MODELS	ALTAIR DLX 45" MODELS
A	40-7/8"	45-7/8"
B	41-1/4"*	41-1/4"*
C	43-3/4"	55-3/4"
D	23"	23"
E	28-1/4"	N/A

* Includes 4" for fold-up standoffs

FIREPLACE EFFICIENCIES – Listed to ANSI Z21.88 as a gas fireplace heater.

MODEL	FUEL	BTU/HR	AFUE**	P4 / ENERGIDE*
ALTAIR DLX 40	NG	36,000-24,000	69.2%	60.0%
ALTAIR DLX 40	LP	31,000-21,000	68.5%	60.0%
ALTAIR DLX 45	NG	42,000-25,000	71.4%	65.0%
ALTAIR DLX 45	LP	41,000-22,000	74.8%	65.0%

*Intermittent ignition systems.

**Annual Fuel Utilization Efficiency (AFUE) is the recognized U.S. rating system for the total efficiency of heating products.

FRONT COVER

Altair DLX 45 with with Black Tie Stacked Liner, Artisan Facade, Stone Stop Kit, and Interior Illumination

IMPORTANT NOTES:

As with any fireplace, this appliance is extremely hot during operation. Read and understand all operating instructions before using this appliance. For further information, consult your dealer.

Local conditions, such as elevation, wind, vent configuration and choice of fuel will affect overall appearance of the fire and heating performance. Performance can also vary with home design and insulation, climate, condition and type of fuel used, appliance location, burn rate, accessories chosen, chimney installation and how the appliance is operated.

Diagrams, illustrations and photographs are not to scale—consult installation instructions. Product designs, materials, dimensions, specifications, colors and prices are subject to change or discontinuation without notice.

astria
FIREPLACES®

© 2020 Innovative Hearth Products

Visit us online
Astria.us.com

PFS
C US
Report #16-120

